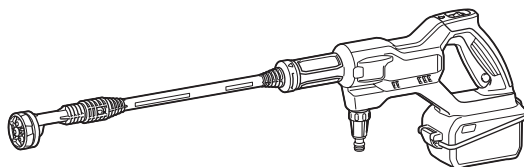




|    |   |                               |     |
|----|---|-------------------------------|-----|
| EN | Cordless Pressure Washer                        | INSTRUCTION MANUAL            | 8   |
| SV | Batteridrivnen trycktvätt                       | BRUKSANVISNING                | 19  |
| NO | Batteridrevet trykkspyler                       | BRUKSANVISNING                | 30  |
| FI | Akkukäyttöinen painepesuri                      | KÄYTTÖOHJE                    | 41  |
| DA | Akku trykreenser                                | BRUGSANVISNING                | 52  |
| LV | Akumulatora augstspiediena mazgātājs            | LIETOŠANAS INSTRUKCIJA        | 63  |
| LT | Akumuliatorinis aukšto slėgio plovimo įrenginys | NAUDOJIMO INSTRUKCIJA         | 74  |
| ET | Aku kõrgsurvepesur                              | KASUTUSJUHEND                 | 86  |
| RU | Аккумуляторная мойка высокого давления          | РУКОВОДСТВО ПО ЭКСПЛУАТАЦИИ   | 97  |
| KK | Батарейаның жоғары қысымды тазалағышы           | ПАЙДАЛАНУ ЖӨНІНДЕГІ НҰСҚАУЛЫҚ | 111 |

## DHW180



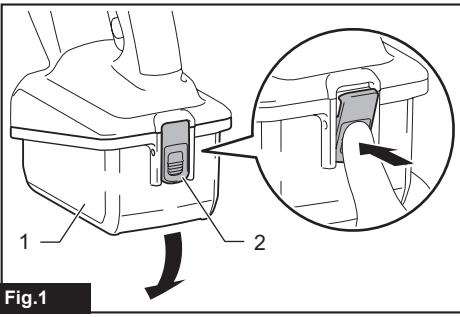


Fig.1



Fig.2

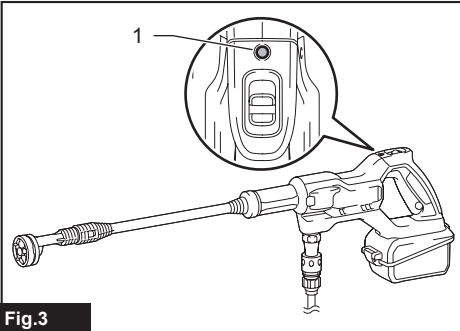


Fig.3

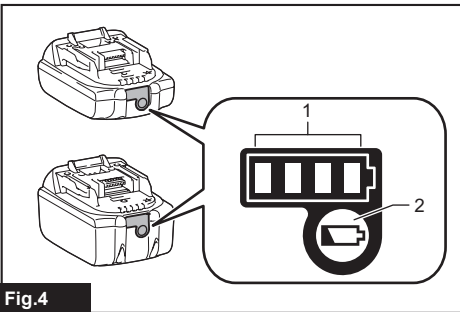


Fig.4

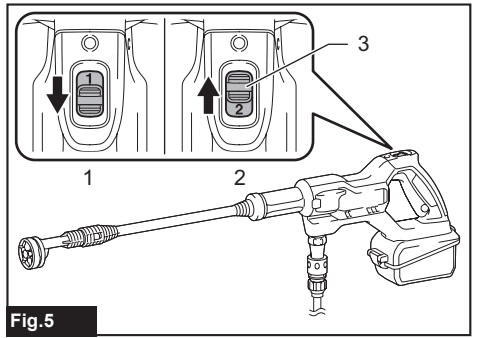


Fig.5

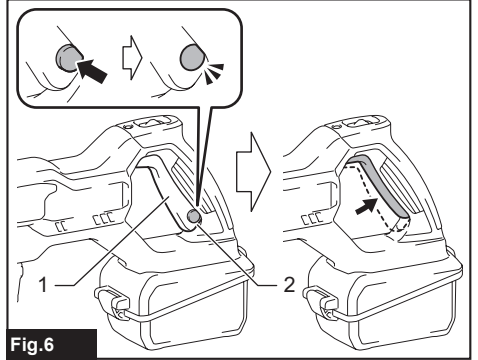


Fig.6

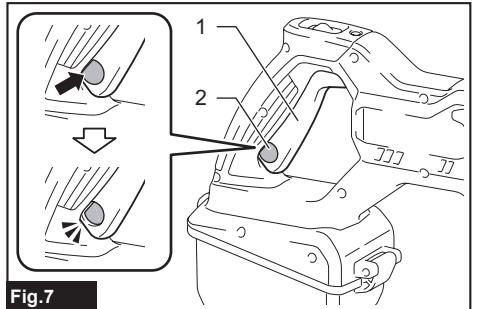


Fig.7

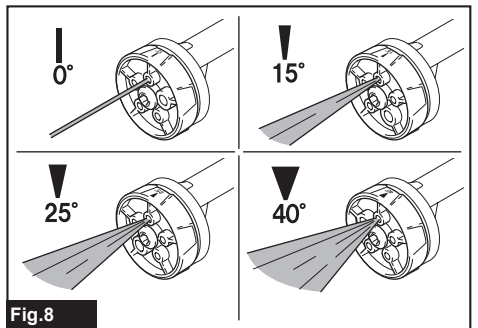


Fig.8

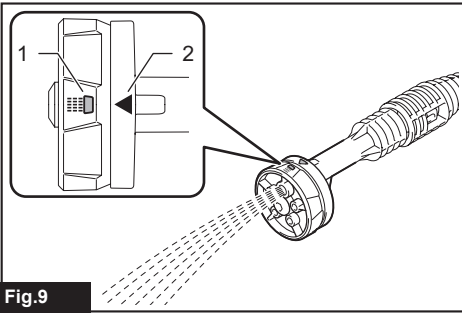


Fig.9

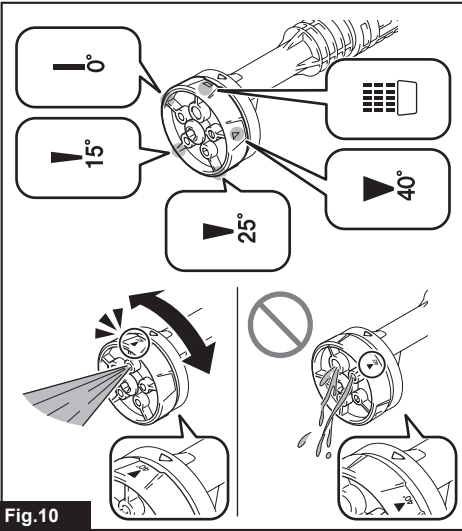


Fig.10

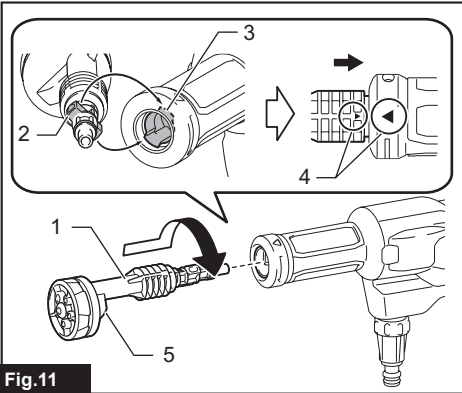


Fig.11

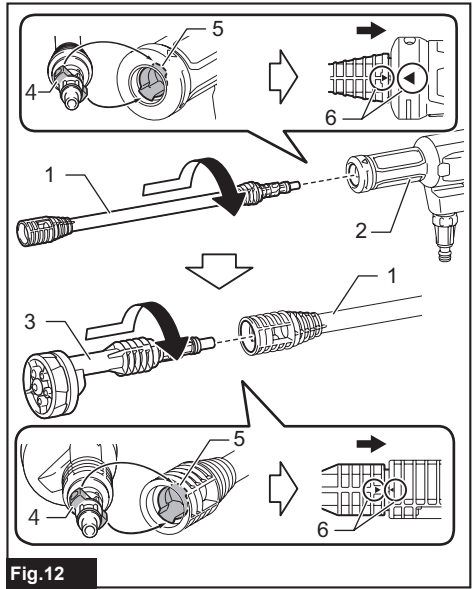


Fig.12

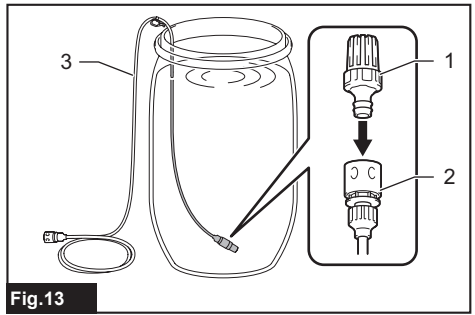


Fig.13

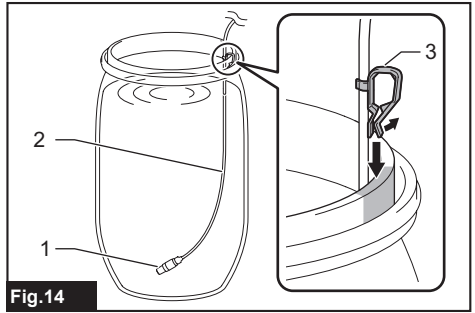
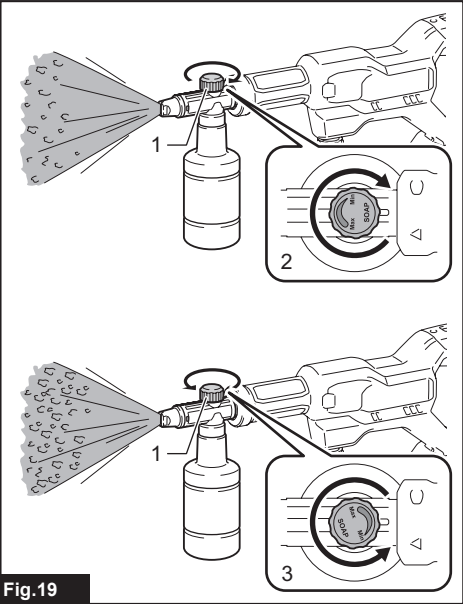
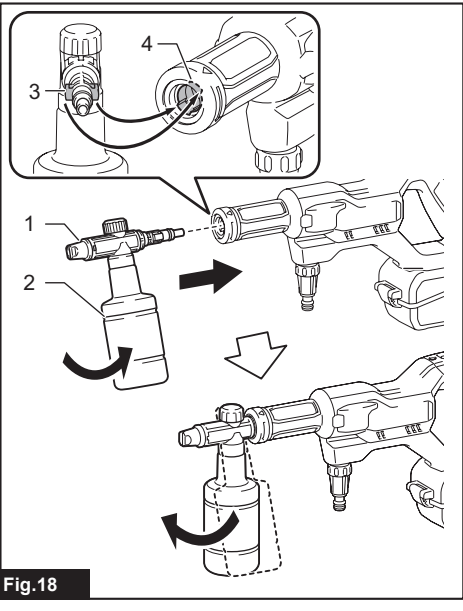
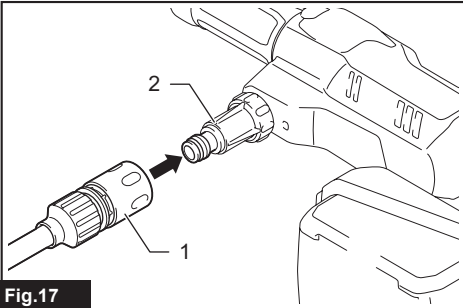
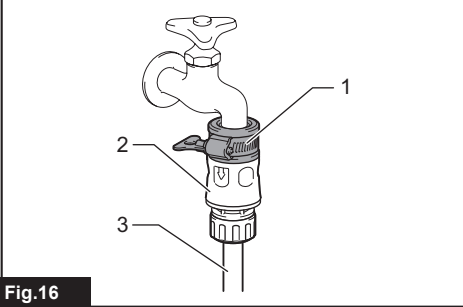
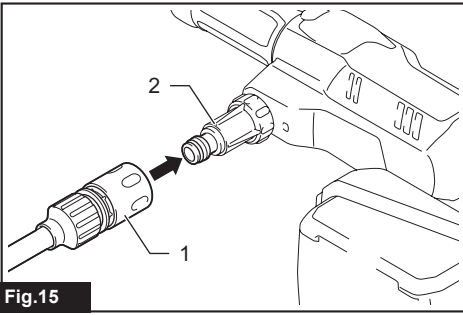


Fig.14



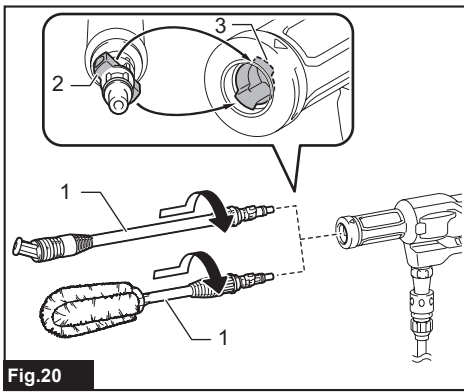


Fig.20

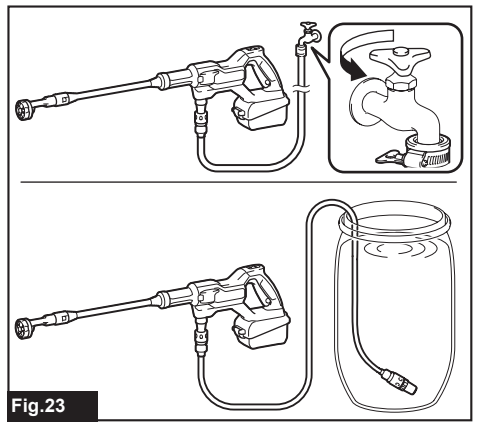


Fig.23

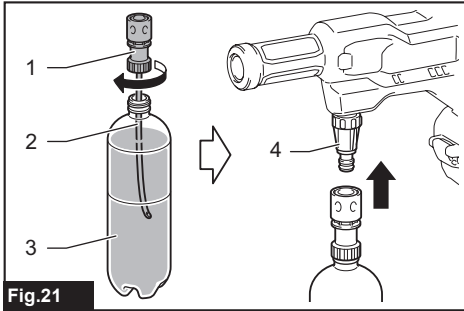


Fig.21

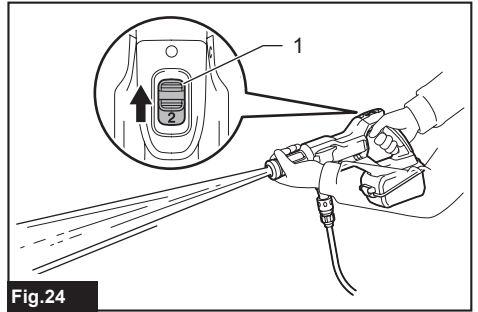


Fig.24

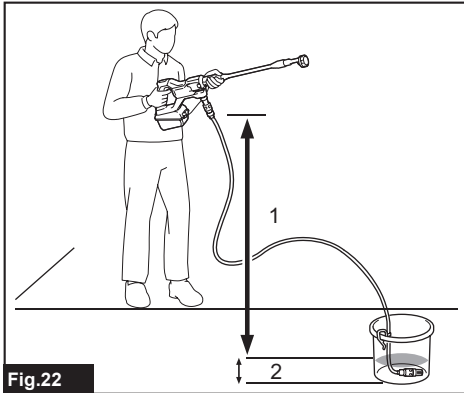


Fig.22

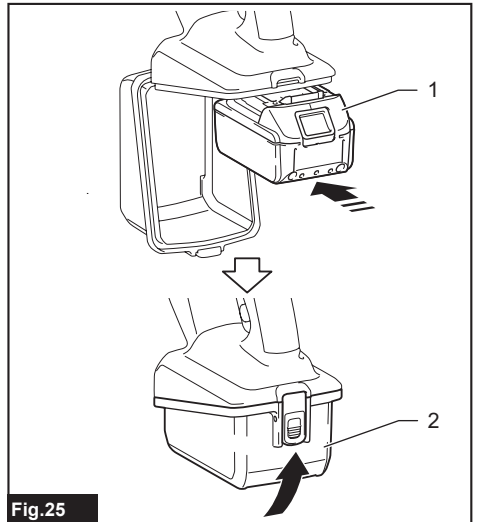


Fig.25

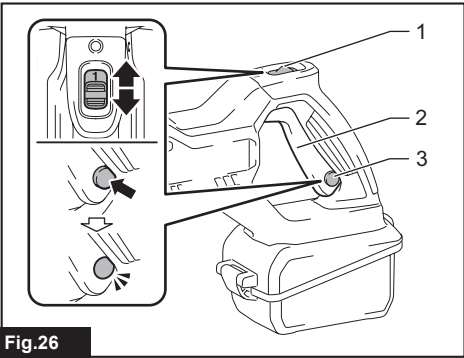


Fig.26

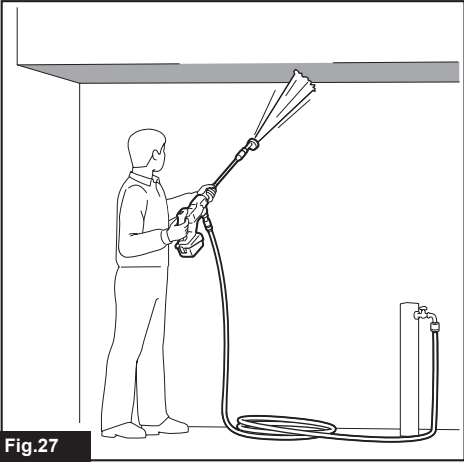


Fig.27

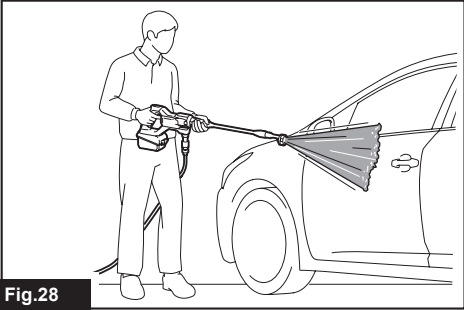


Fig.28

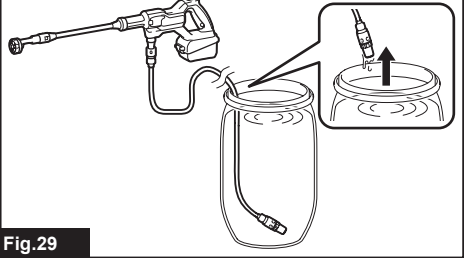
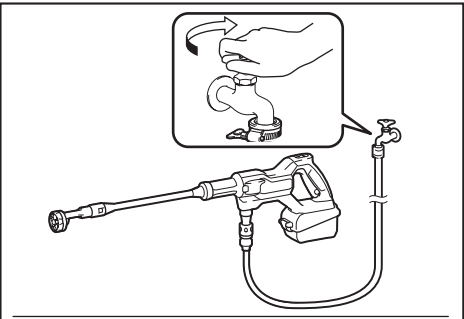


Fig.29

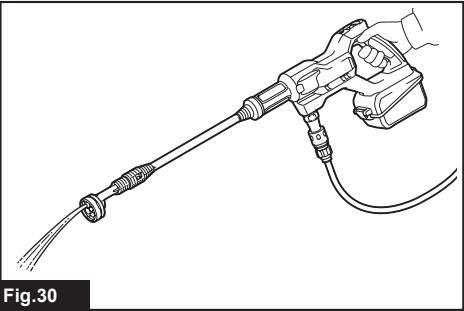


Fig.30

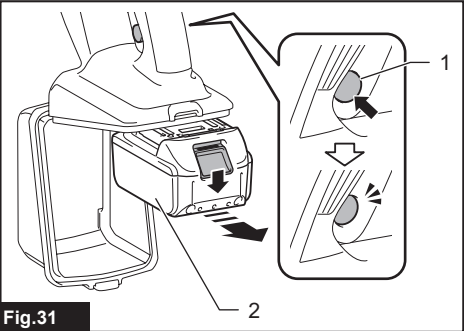
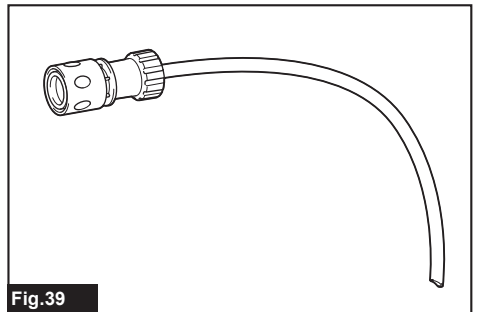
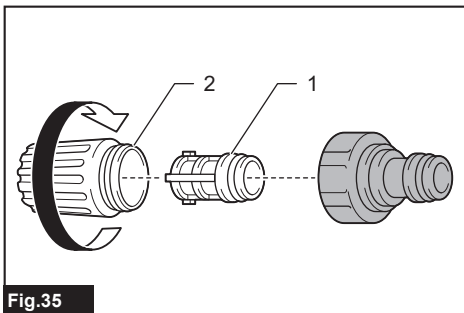
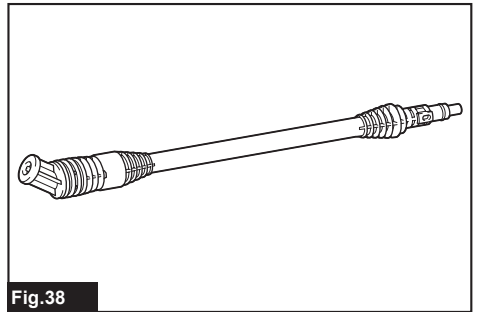
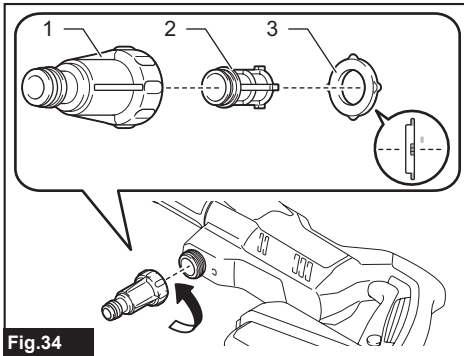
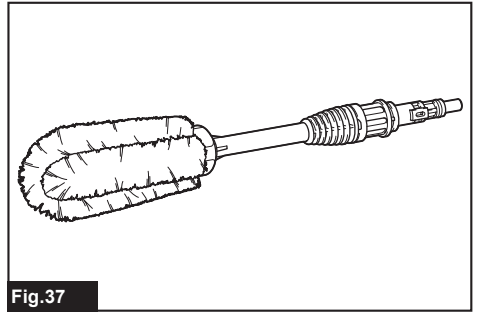
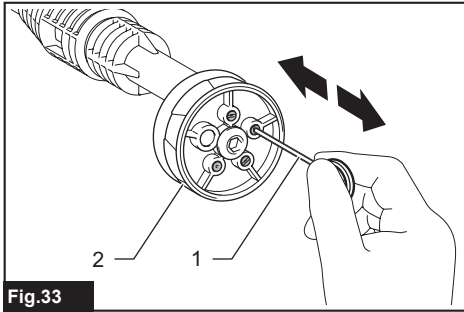
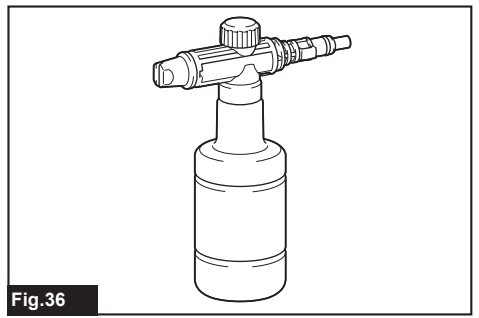
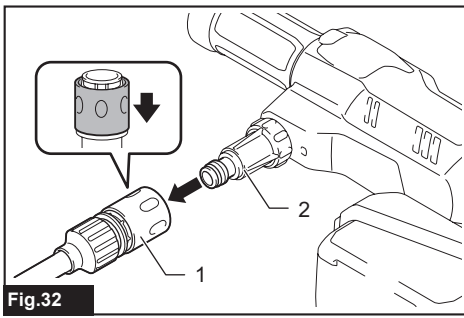


Fig.31



## WARNING

- Appliance shall not be used by children. Children should be supervised to ensure that they do not play with the appliance.
- This appliance is not intended for use by persons (including children) with reduced physical, sensory or mental capabilities, or lack of experience and knowledge, unless they have been given supervision or instruction concerning use of the appliance by a person responsible for their safety.
- Pressure water must not be directed at persons, live electrical equipment or the appliance itself.
- Always be sure that the appliance is switched off and battery cartridge is removed before carrying out any work on the tool.
- Do not use the appliance if important parts of the appliance are damaged, e.g. safety devices, pressure hoses.
- Read instructions in the maintenance section for the appropriate details of precautions during user maintenance.
- Learn the normal temperature range for charging battery. Read safety instructions for battery cartridge to learn precautions of handling batteries.
- Read instructions in the assembly section for the appropriate details of precautions during installation of the appliance.
- Learn the maximum inlet water pressure. Read information in the specifications section for the appropriate details on connection to water mains.
- Always use the hose-sets supplied with the appliance. Read instructions in the assembly section to learn precautions for connection to water mains.
- The water filling aperture should not be opened during use. Follow the instructions in the assembly section to maintain water pressure.
- Do not use in swimming pools containing water.
- Comply with the requirements of the local water supply company.



- For European countries:  
According to EN12729 (BA), the appliance can also be connected to the mains drinking water supply if a backflow preventer valve with drain facility is installed in the supply hose.

## SPECIFICATIONS

| Model:   |  | DHW180                  |
|--|--|-------------------------|
| Max. flow rate <sup>*1</sup><br>[Tank water supply / Mains water supply] |  | 3.0 / 5.3 L/min         |
| Water flow rate <sup>*2</sup>  | High mode  | 2.5 L/min               |
|  | Low mode   | 1.5 L/min               |
| Max. working pressure  |  | 2.4 MPa                 |
| Working pressure <sup>*2</sup>   | High mode<br>[Tank water supply /<br>Mains water supply] | 2.0 / 2.2 MPa           |
|  | Low mode<br>[Tank water supply /<br>Mains water supply]  | 0.8 / 0.8 MPa           |
| Max. feed pressure   |  | 0.5 MPa                 |
| Max. feed temperature  |  | 40°C                    |
| Max. suction height  |  | 2.0 m                   |
| Rated voltage  |  | D.C. 18 V               |
| Dimensions <sup>*3</sup><br>[L x W x H]                                  |  | 888 mm x 99 mm x 239 mm |
| Weight   |  | 2.3 - 2.7kg             |

\*1 : Without nozzle

\*2 : Spray pattern 15°

\*3 : With 5in1 nozzle and extension

- Due to our continuing program of research and development, the specifications herein are subject to change without notice.
- Specifications may differ from country to country.
- The weight may differ depending on the attachment(s), including the battery cartridge. The lightest and heaviest combinations, according to EPTA-Procedure 01/2014, are shown in the table.

### Applicable battery cartridge and charger

|                   |   |
|-------------------|---|
| Battery cartridge | BL1815N / BL1820B / BL1830B / BL1840B / BL1850B / BL1860B             |
| Charger           | DC18RC / DC18RD / DC18RE / DC18SD / DC18SE / DC18SF / DC18SH / DC18WC |

- Some of the battery cartridges and chargers listed above may not be available depending on your region of residence.

**⚠ WARNING: Only use the battery cartridges and chargers listed above.** Use of any other battery cartridges and chargers may cause injury and/or fire.

**⚠ WARNING: Do not use a corded power supply such as battery adapter or portable power pack with this machine.** The cable of such power supply may hinder the operation and result in personal injury.

### Symbols

The followings show the symbols which may be used for the equipment. Be sure that you understand their meaning before use.



Read the instruction manual.



Take particular care and attention.



Only for EU countries  
Due to the presence of hazardous components in the equipment, waste electrical and electronic equipment, accumulators and batteries may have a negative impact on the environment and human health. Do not dispose of electrical and electronic appliances or batteries with household waste!

In accordance with the European Directive on waste electrical and electronic equipment and on accumulators and batteries and waste accumulators and batteries, as well as their adaptation to national law, waste electrical equipment, batteries and accumulators should be stored separately and delivered to a separate collection point for municipal waste, operating in accordance with the regulations on environmental protection.

This is indicated by the symbol of the crossed-out wheeled bin placed on the equipment.



Do not connect to a potable water faucet.



Do not direct the jet at people including yourself, animals, and live electrical equipment.

## Intended use

This tool is intended to clean dirt by using water jet for household use. By offering selectable spray type, the tool functions to improve your washing as well as lawn and garden watering.

# SAFETY WARNINGS

## IMPORTANT SAFETY WARNINGS

**⚠ WARNING:** Read all safety warnings and all instructions. Failure to follow the warnings and instructions may result in electric shock, fire and/or serious injury.

## Save all warnings and instructions for future reference.

**WARNING** – When using this product, basic precautions should always be followed, including the following:

### Work area safety

1. Keep operating area clear of all persons.
2. Do not overreach or stand on unstable supports. Keep good footing and balance at all times.
3. Always place the pressure washer body on a level and stable surface. Avoid areas where the ejected water will run or pool.
4. Before cleaning, check the surroundings and objects to be cleaned. Pressure jets can scrape away paint or other surface treatments including toxic chemicals. Take the preventive measures if necessary.

5. Be careful not to trip over by the hose of the pressure washer. Always be aware of the configuration of the hose during operation.
6. During use, a small amount of water will come out from the bottom of the pressure washer. Be careful not to operate the tool above the areas where you do not want them to be wet.

### Personal safety

1. To protect against the jet and objects by the jet, operators should wear appropriate clothing such as safety boots, safety gloves, safety helmets with visors, hearing protection, etc.
2. Wear personal protective equipment. Depending on application, use face shield, safety goggles or safety glasses as eye protection is capable of stopping flying debris generated by various operations.
3. Do not use the pressure washer within range of persons unless they wear protective clothing.
4. To reduce the risk of injury, close supervision is necessary when the product is used near children.
5. If connection is made to a potable water system, the system shall be protected against backflow.
6. Water that has flowed through backflow preventer is considered to be non-potable.

### Electrical safety

1. Never touch battery cartridges with wet hands.
2. Do not use the appliance if the important parts of the appliance are damaged, e.g. safety devices, pressure hoses.
3. Avoid dangerous environment. Don't use the tool in damp or wet locations or expose it to rain. Water entering the tool will increase the risk of electric shock.

### Power tool use and care

1. Read all the instructions before using the product.
2. Know how to stop the pressure washer and bleed pressures quickly. Be thoroughly familiar with the controls.
3. Do not spray flammable and/or toxic liquids. This may cause an explosion, intoxication, or damage to the appliance.
4. Do not direct the jet against yourself or others in order to clean clothes or footwear.
5. Pressure hoses, fittings and couplings are important for the safety of the appliance. Use only hoses, fittings and couplings recommended by the manufacturer.
6. Follow the instructions when changing accessories.
7. Keep handles dry, clean, and free of oil or grease.
8. Stay alert – watch what you are doing.
9. Do not operate the product when fatigued or under the influence of alcohol or drugs.
10. Do not run the pressure washer without water for longer than one minute. It will damage the motor, resulting in malfunction.

11. **Always turn off the power and shut off the water mains when leaving the pressure washer unattended.**
12. **Be wary of the kickback. The appliance recoils when the pressure jet is ejected from the nozzle. Hold the appliance firmly to prevent accidental injuries.**
13. **Check for damaged or worn parts before use. Also make sure that the hose is properly connected and there is no leakage during operation. Operating the appliance with functional defects may cause an accident.**
14. **Do not pull the hose to move the pressure washer body. This will damage the hose and connecting parts and result in a short circuit or functional defects.**
15. **Do not put heavy objects on the hose or let vehicles drive over it.**
16. **Always discharge the residual pressure in the appliance before disconnecting the hose.**
17. **When connecting the hose to the water mains, observe the instructions of your local waterworks department or company.**
18. **If the pressure washer is dropped or hits against a hard object, be sure to check for damage and crack. Using the pressure washer damaged may generate smoke, fire, or cause electric shock, which result in personal injury.**
19. **Prevent unintentional starting. Ensure the switch is in the off-position before connecting to battery pack, picking up or carrying the appliance. Carrying the appliance with your finger on the switch or energizing appliance that have the switch on invites accidents.**
20. **Disconnect the battery pack from the appliance before making any adjustments, changing accessories, or storing appliance. Such preventive safety measures reduce the risk of starting the appliance accidentally.**
21. **Do not modify or attempt to repair the appliance or the battery pack except as indicated in the instructions for use and care.**
22. **WARNING – Risk of Injection or Injury– Do Not Direct Discharge Stream At Persons.**
23. **Be sure that an object or area to be cleaned is durable against watering. Otherwise may cause damage to the item or site resulting in personal injury.**

#### **Battery tool use and care**

1. **Recharge only with the charger specified by the manufacturer.** A charger that is suitable for one type of battery pack may create a risk of fire when used with another battery pack.
2. **Use power tools only with specifically designated battery packs.** Use of any other battery packs may create a risk of injury and fire.
3. **When battery pack is not in use, keep it away from other metal objects, like paper clips, coins, keys, nails, screws or other small metal objects, that can make a connection from one terminal to another.** Shorting the battery terminals together may cause burns or a fire.
4. **Under abusive conditions, liquid may be ejected from the battery; avoid contact. If**

**contact accidentally occurs, flush with water. If liquid contacts eyes, additionally seek medical help.** Liquid ejected from the battery may cause irritation or burns.

5. **Do not use a battery pack or tool that is damaged or modified.** Damaged or modified batteries may exhibit unpredictable behaviour resulting in fire, explosion or risk of injury.
6. **Do not expose a battery pack or tool to fire or excessive temperature.** Exposure to fire or temperature above 130 °C may cause explosion.
7. **Follow all charging instructions and do not charge the battery pack or tool outside the temperature range specified in the instructions.** Charging improperly or at temperatures outside the specified range may damage the battery and increase the risk of fire.

#### **Service**

1. **Follow the maintenance instructions specified in the manual.**
2. **To ensure appliance safety, use only original spare parts from the manufacturer or approved by the manufacturer.**
3. **Have your pressure washer serviced by a qualified repair person using only identical replacement parts. This will ensure that the safety of the pressure washer is maintained.**
4. **In case of breakdown or malfunction of the pressure washer, immediately switch it off and remove the battery cartridge(s). Contact your local dealer or service center.**

#### **Additional safety warnings**

1. **Do not use the tool when there is a risk of lightning.**
2. **When you use the tool on muddy ground, wet slope, or slippery place, pay attention to your footing.**
3. **Avoid working in poor environment where increased user fatigue is expected.**
4. **Do not replace the battery in the rain.**
5. **Do not submerge the tool into a puddle.**
6. **When storing the tool, avoid direct sunlight and rain, and store it in a place where it does not get hot or humid.**
7. **After using the tool, remove the adhered dirt and dry the tool completely before storing.** Depending on the season or the area, there is a risk of malfunction due to freezing.
8. **Do not wet the terminal of battery with liquid such as water, or submerge the battery. Do not leave the battery in the rain, nor charge, use, or store the battery in a damp or wet place.** If the terminal gets wet or liquid enters inside of battery, the battery may be short circuited and there is a risk of overheat, fire, or explosion.
9. **After removing the battery from the tool or charger, be sure to attach the battery cover to the battery and store it in a dry place.**
10. **Do not replace the battery with wet hands.**
11. **If the appliance is frozen due to cold weather, contact an authorized service center for repairs.**

12. **Do not use a corded power supply such as battery adapter or portable power pack with this appliance.** The cable of such power supply may hinder the operation and result in personal injury.

## SAVE THESE INSTRUCTIONS.

**⚠WARNING:** DO NOT let comfort or familiarity with product (gained from repeated use) replace strict adherence to safety rules for the subject product.

MISUSE or failure to follow the safety rules stated in this instruction manual may cause serious personal injury.

### Important safety instructions for battery cartridge

1. Before using battery cartridge, read all instructions and cautionary markings on (1) battery charger, (2) battery, and (3) product using battery.
2. **Do not disassemble or tamper with the battery cartridge.** It may result in a fire, excessive heat, or explosion.
3. **If operating time has become excessively shorter, stop operating immediately.** It may result in a risk of overheating, possible burns and even an explosion.
4. **If electrolyte gets into your eyes, rinse them out with clear water and seek medical attention right away.** It may result in loss of your eyesight.
5. **Do not short the battery cartridge:**
  - (1) **Do not touch the terminals with any conductive material.**
  - (2) **Avoid storing battery cartridge in a container with other metal objects such as nails, coins, etc.**
  - (3) **Do not expose battery cartridge to water or rain.**

A battery short can cause a large current flow, overheating, possible burns and even a breakdown.

6. **Do not store and use the tool and battery cartridge in locations where the temperature may reach or exceed 50 °C (122 °F).**
7. **Do not incinerate the battery cartridge even if it is severely damaged or is completely worn out.** The battery cartridge can explode in a fire.
8. **Do not nail, cut, crush, throw, drop the battery cartridge, or hit against a hard object to the battery cartridge.** Such conduct may result in a fire, excessive heat, or explosion.
9. **Do not use a damaged battery.**
10. **The contained lithium-ion batteries are subject to the Dangerous Goods Legislation requirements.**

For commercial transports e.g. by third parties, forwarding agents, special requirement on packaging and labeling must be observed.

For preparation of the item being shipped, consulting an expert for hazardous material is required. Please also observe possibly more detailed national regulations.

Tape or mask off open contacts and pack up the battery in such a manner that it cannot move around in the packaging.

11. **When disposing the battery cartridge, remove it from the tool and dispose of it in a safe place.** Follow your local regulations relating to disposal of battery.
12. **Use the batteries only with the products specified by Makita.** Installing the batteries to non-compliant products may result in a fire, excessive heat, explosion, or leak of electrolyte.
13. **If the tool is not used for a long period of time, the battery must be removed from the tool.**
14. **During and after use, the battery cartridge may take on heat which can cause burns or low temperature burns.** Pay attention to the handling of hot battery cartridges.
15. **Do not touch the terminal of the tool immediately after use as it may get hot enough to cause burns.**
16. **Do not allow chips, dust, or soil stuck into the terminals, holes, and grooves of the battery cartridge.** It may cause heating, catching fire, burst and malfunction of the tool or battery cartridge, resulting in burns or personal injury.
17. **Unless the tool supports the use near high-voltage electrical power lines, do not use the battery cartridge near high-voltage electrical power lines.** It may result in a malfunction or breakdown of the tool or battery cartridge.
18. **Keep the battery away from children.**

## SAVE THESE INSTRUCTIONS.

**⚠CAUTION:** Only use genuine Makita batteries. Use of non-genuine Makita batteries, or batteries that have been altered, may result in the battery bursting causing fires, personal injury and damage. It will also void the Makita warranty for the Makita tool and charger.

### Tips for maintaining maximum battery life

1. **Charge the battery cartridge before completely discharged.** Always stop tool operation and charge the battery cartridge when you notice less tool power.
2. **Never recharge a fully charged battery cartridge.** Overcharging shortens the battery service life.
3. **Charge the battery cartridge with room temperature at 10 °C - 40 °C (50 °F - 104 °F).** Let a hot battery cartridge cool down before charging it.
4. **When not using the battery cartridge, remove it from the tool or the charger.**
5. **Charge the battery cartridge if you do not use it for a long period (more than six months).**

## FUNCTIONAL DESCRIPTION

**CAUTION:** Always be sure that the tool is switched off and the battery cartridge is removed before adjusting or checking function on the tool.

### Installing or removing battery cartridge

**CAUTION:** Always switch off the tool before installing or removing of the battery cartridge.

**CAUTION:** Hold the tool and the battery cartridge firmly when installing or removing battery cartridge. Failure to hold the tool and the battery cartridge firmly may cause them to slip off your hands and result in damage to the tool and battery cartridge and a personal injury.

**CAUTION:** Be careful not to pinch your fingers when opening or closing the battery cover.

Open the cover while pushing the lock lever.

► **Fig.1:** 1. Cover 2. Lock lever

Align the tongue on the battery cartridge with the groove in the housing and slip it into place. Insert it all the way until it locks in place with a little click. If you can see the red indicator as shown in the figure, it is not locked completely.

► **Fig.2:** 1. Red indicator 2. Button 3. Battery cartridge

After installing or removing the battery cartridges, be sure to close the cover.

To remove the battery cartridge, open the cover, slide the battery cartridge off the tool while pushing down the button on front, then close the cover.

**CAUTION:** Always install the battery cartridge fully until the red indicator cannot be seen. If not, it may accidentally fall out of the tool, causing injury to you or someone around you.

**CAUTION:** Do not install the battery cartridge forcibly. If the cartridge does not slide in easily, it is not being inserted correctly.

**CAUTION:** Be sure to lock the cover before operating.

### Tool / battery protection system

The tool is equipped with a tool/battery protection system. This system automatically cuts off power to the motor to extend tool and battery life. The tool will automatically stop with indication if the tool or battery is placed under one of the following conditions:

► **Fig.3:** 1. Indicator

### Overload protection

When the tool or battery is operated in a manner that causes it to draw an abnormally high current, the tool automatically stops and the red indicator lights up. In this situation, turn the tool off and stop the application that caused the tool to become overloaded. Then turn the tool on to restart.

### Overheat protection

When the tool or battery is overheated, the tool stops automatically and the red indicator lights up. In this situation, let the tool cool down before turning the tool on again.

### Overdischarge protection

When the battery capacity becomes low, the red indicator blinks. When the battery becomes close to empty, the tool stops automatically and the red indicator lights up. In this case, remove the battery from the tool and charge the battery.

### Protections against other causes

Protection system is also designed for other causes that could damage the tool and allows the tool to stop automatically. Take all the following steps to clear the causes, when the tool has been brought to a temporary halt or stop in operation.

1. Turn the tool off, and then turn it on again to restart.
2. Charge the battery(ies) or replace it/them with recharged battery(ies).
3. Let the tool and battery(ies) cool down.

If no improvement can be found by restoring protection system, then contact your local Makita Service Center.


















**NOTICE:** If the tool stops due to a cause not described above, refer to the section for troubleshooting.

### Indicating the remaining battery capacity

*Only for battery cartridges with the indicator*

Press the check button on the battery cartridge to indicate the remaining battery capacity. The indicator lamps light up for a few seconds.

► **Fig.4:** 1. Indicator lamps 2. Check button

| Indicator lamps  |   |  | Remaining capacity                  |
|--|---|--|-------------------------------------|
|  Lighted  |  Off   |  Blinking |                                     |
|   |   |  | 75% to 100%                         |
|   |    |  | 50% to 75%                          |
|   |    |  | 25% to 50%                          |
|   |    |  | 0% to 25%                           |
|   |    |  | Charge the battery.                 |
| <br> | <br>↑ ↓<br> |           | The battery may have malfunctioned. |

**NOTE:** Depending on the conditions of use and the ambient temperature, the indication may differ slightly from the actual capacity.

**NOTE:** The first (far left) indicator lamp will blink when the battery protection system works.

## Pressure mode switch

Select your desired pressure mode by sliding the switch lever forwards and backwards.

Pull the lever backwards for low pressure mode so a number symbol "1" reads on the switch.

Push the lever forwards for high pressure mode so a number symbol "2" reads on the switch.

► **Fig.5:** 1. Low pressure mode (1) 2. High pressure mode (2) 3. Pressure mode switch lever

## Switch trigger

The pressure washer employs a safety lock on the trigger. To release the trigger lock, depress the lock button into the trigger so the trigger surface becomes flat.

Pull the switch trigger to eject a water jet. The jet continues as long as the trigger is squeezed.

► **Fig.6:** 1. Switch trigger 2. Lock button

Push the lock button back out from inside the trigger to engage the trigger lock.

Be sure to lock the trigger when the pressure washer is not in use.

► **Fig.7:** 1. Switch trigger 2. Lock button

## Nozzle functions

Multi-pattern (5-in-1) spray nozzle features a range of spray patterns that you can adjust depending on your washing needs. By combining five of the most-used spray patterns in one nozzle, no more switching from one to the next, simply dial in the right spray pattern for your task.

**Simple changeover of nozzles, 0°, 15°, 25°, 40° and shower**

► **Fig.8**

► **Fig.9:** 1. Spray pattern symbol 2. Triangle mark

Turn the nozzle head left or right to your desired spray pattern position. Correctly align the spray pattern symbol you want to select with the triangle mark so that the nozzle head locks with a click.

► **Fig.10**

**NOTICE:** Be careful not to set the nozzle head in an unclicked position. The tool may otherwise create irregular spray patterns resulting in water leaks.

**CAUTION:** Try not to rotate the nozzle body together as you change spray patterns. The nozzle may come off from the tool body and cause personal injury.

## Safety valve

This tool is equipped with a safety valve that prevents undue overpressure.

**CAUTION:** Do not tamper with or adjust the safety valve setting.

## ASSEMBLY

**CAUTION:** Always be sure that the tool is switched off and the battery cartridge is removed before carrying out any work on the tool.

## Installing nozzle and lance extension

**CAUTION:** Always lock the switch trigger while attaching/detaching a nozzle and extension.

### Nozzle

Align the guide projections on the nozzle end with the locking slots in the tool housing. Push the nozzle all the way in until the two triangle marks on the nozzle and housing face to each other. Then turn the nozzle in the direction shown in the figure to engage the lock. Having installed the nozzle, try pulling it back to ensure it is securely held in place.

► **Fig.11:** 1. Nozzle 2. Guide projection 3. Locking slot 4. Triangle marks 5. Pelvic-fin-like outline

**NOTE:** Make sure to turn a pelvic-fin-like outline facing downwards.

To detach the nozzle, push and hold the nozzle towards the tool housing, and then turn it counter-wise until the two triangle marks face to each other. Pull the nozzle apart from the tool housing after it becomes unlocked.

### Lance extension

Watering any hard-to-reach spots. Install the lance extension in between the tool housing and nozzle by following the same steps as described for nozzle installation.

► **Fig.12:** 1. Lance extension 2. Tool housing 3. Nozzle 4. Guide projections 5. Locking slots 6. Triangle marks

To detach the attachments, push and hold the tip attachment towards the mount attachment/housing, and then turn it counter-wise until the two triangle marks face to each other. Pull the tip attachment apart from the mount attachment/housing after it becomes unlocked.

## Connecting to tank water supply

**NOTICE:** Always use the pressure hose and strainer supplied with this tool to supply water.

**NOTICE:** Always keep 2.0 m or less in height between the inlet of the pressure washer and the water surface. Otherwise, the pressure washer will be unable to take the water up into the pump.

**NOTICE:** Be sure to fill a water container more than 25 mm thick from the bottom and to submerge the strainer in water completely.

Water can be supplied from a tank/container/reservoir of any size.

A tank supplied watering addresses such pressure washing situations, e.g., car washing and gardening etc., where water is not available and has to be transported to the washing area or site.

1. Attach the strainer to one end of the pressure hose.

Insert the strainer outlet into the coupling sleeve and push it through until the strainer is secured in place.

► **Fig.13:** 1. Strainer 2. Coupling sleeve 3. Pressure hose

2. Leave the strainer on the bottom of the water container.

► **Fig.14:** 1. Strainer 2. Pressure hose 3. Hose hook

**NOTE:** Hang the hose along the opening using a supplied hose hook so that the strainer sits still at the bottom of the container.

3. Attach the other end of the hose to the water hose connector on the pressure washer.

Place the coupling sleeve over the inlet of the connector and push it through until the coupling sleeve is secured in place.

► **Fig.15:** 1. Coupling sleeve 2. Water hose connector

**CAUTION:** Make sure that the pressure hose is securely connected. A loose connection may blow the pressure hose off, resulting in a personal injury.

**NOTICE:** Introduce water into the pressure washer and hose beforehand whenever you are to lift water from a certain depth in the high pressure mode.

## Connecting to mains water supply

**CAUTION:** Always use the pressure hose supplied with this tool to supply water.

**NOTICE:** If you connect to the mains for drinking water, use a backflow preventer valve which meets the regulations in your region.

**NOTICE:** Maintain a feed pressure of the inlet water less than 0.5 MPa for fine feed. Do not exceed the maximum feed pressure as it may cause water leaks when the tool stops working.

Water can be supplied from mains water that is available at the washing area or site.

A continuous water supply allows you not to mind refilling water and enables your efficient home cleaning and gardening, such as spot cleaning, rinsing, and watering on the vast area of lawn or vegetation.

1. Connect the pressure hose to the faucet.

Apply a suitable fitting such as water tap joint to secure the hose end with the faucet.

► **Fig.16:** 1. Water tap joint 2. Coupling sleeve 3. Pressure hose

**NOTE:** The type of fitting depends on the shape of the faucet to which you connect. Prepare a suitable commercially purchased fitting.

2. Attach the other end of the hose to the water hose connector on the pressure washer.

Place the coupling sleeve over the inlet of the connector and push it through until the coupling sleeve is secured in place.

► **Fig.17:** 1. Coupling sleeve 2. Water hose connector

## Installing foam nozzle

### Optional accessory

**CAUTION:** Always lock the switch trigger while attaching/detaching optional attachments.

**NOTICE:** Use only neutral detergents. Do not use household detergents, acid detergents, alkaline detergents, bleaches, solvents, flammable material, or industrial grade solutions, which may damage the tool or your property. Prepare cleaning solution as instructed on the solution bottle, and always test it in an inconspicuous place in advance.

**NOTICE:** If a highly viscous detergent is used, the nozzle is likely to clog. When using the high viscosity detergent, dilute the detergent by adding water to the bottle before use.

**NOTE:** When using the foam nozzle, the detergent in the bottle is diluted with the water supplied by the tool and sprayed. You do not have to dilute the concentration of detergent in the bottle more than necessary. Adjust the concentration of detergent while checking the usage conditions.

**NOTE:** If the foam nozzle is tipped on its side, the detergent may spill.

Prepare detergent before using the foam nozzle.

1. Fill the tank with detergent. Attach the nozzle onto the tank and securely tighten the lid.

2. Tilt the foam nozzle to align its guide projections with the locking slots in the tool housing. Push the nozzle all the way in and hold it in place. Then turn the foam nozzle in the direction shown in the figure to engage the lock.

► **Fig.18:** 1. Foam nozzle 2. Tank 3. Guide projection 4. Locking slot

Having installed the nozzle, try pulling it back to ensure it is securely held in place.

- Turn the detergent dial to adjust the suction volume of the detergent solution.
- **Fig.19:** 1. Detergent dial 2. Dial to minimum 3. Dial to maximum

## Installing optional nozzles

### Optional accessory

**CAUTION:** Always lock the switch trigger while attaching/detaching optional attachments.

Align the guide projections on an optional nozzle with the locking slots in the tool housing. Push the nozzle all the way in and hold it in place. Then turn the nozzle in the direction shown in the figure to engage the lock. Having installed the nozzle, try pulling it back to ensure it is securely held in place.

- **Fig.20:** 1. Nozzles 2. Guide projection 3. Locking slot

To detach the nozzle, push and hold the nozzle towards the tool housing, and then turn it counter-wise to release the lock. Pull the nozzle apart from the pressure washer after it becomes unlocked.

## Installing plastic bottle adapter

### Optional accessory

**CAUTION:** Always lock the switch trigger while attaching/detaching optional attachments.

**CAUTION:** Be sure to attach the plastic bottle adapter securely to the pressure washer and plastic bottle. Failure to do so may cause the bottle to fall resulting in personal injury.

**NOTE:** A use of 2-liter (half-gallon) plastic bottle can be favored for containing water.

- Fill water in a plastic bottle.
- Throw the suction pipe down through the bottle opening.
- Attach the adapter to the bottle by threading the nut of the coupling sleeve.
- Attach the plastic bottle adapter to the water hose connector on the pressure washer.

Place the coupling sleeve over the inlet of the connector and push it through until the coupling sleeve is secured in place.

- **Fig.21:** 1. Plastic bottle adapter 2. Suction pipe 3. Plastic bottle 4. Water hose connector

## OPERATION

**WARNING:** Do not touch the water jet or direct it toward yourself or others. The water jet is dangerous and can hurt you or others.

**WARNING:** When shooting the water jet, never hold the object that you are cleaning or place your hands and feet near the water jet.

**CAUTION:** Do not run the pressure washer without water for longer than 1 minute(s).

**CAUTION:** Do not operate the pressure washer for an extended period of time. This may cause overheating or fire. Also, long-term use may cause vibration disorder.

**CAUTION:** Be aware of the direction of the wind. If the detergent gets into your eyes or mouth, rinse with fresh water immediately and seek medical attention if necessary.

**NOTICE:** To protect the mechanism of the pressure washer, do not use water hotter than 40°C (104°F).

**NOTICE:** Do not use an untreated water supply, such as river water, pond water, and sandy or muddy water. Unfiltered dirty water may cause deposition of undesired material in the pump resulting in malfunction.

### Water lifting height

A vertical height from the water source to water suction inlet of the pressure washer requires to be within 2.0 m.

### Pooled water depth

Fill a water container more than 25 mm thick from the bottom.

- **Fig.22:** 1. Water lifting height 2. Pooled water depth

### Steps in basic operation

- Connect the water hose inlet to the water supply.
  - Connect the water hose outlet to the pressure washer.
- **Fig.23**
- If the remaining water in the pressure washer has been discharged since it was last used, introduce water into the pressure hose and pressure washer.

Let water run through the hose and washer until any air in them is released.

- Remove the nozzle from the pressure washer.
- Install the battery cartridge into the pressure washer.
- Select the high pressure mode.
- Unlock the switch trigger.
- Pull and hold the switch trigger until the pressure washer generates a stable water jet.

- **Fig.24:** 1. Pressure mode switch lever

After allowing air locks out of the pressure washer and hose, release the switch trigger.

Remove the battery cartridge from the pressure washer, and attach the nozzle suitable for your purpose.

- Open the cover and install the battery cartridge into the pressure washer and then lock the cover.

- **Fig.25:** 1. Battery cartridge 2. Cover

**CAUTION:** Be careful not to pinch your fingers when opening or closing the battery cover.

- Select your desired pressure mode. Then unlock the switch trigger.

- **Fig.26:** 1. Pressure mode switch lever 2. Switch trigger 3. Lock button



- Point the nozzle head at watering area or site. Squeeze the switch trigger.

The water jet continues as long as the trigger is squeezed.

► Fig.27

► Fig.28

**CAUTION:** Hold the pressure washer firmly. The tool recoils when you pull the switch trigger.

**CAUTION:** Always hold the pressure washer by the grip and barrel when ejecting water jet.

## After use

**CAUTION:** After operating the pressure washer, always perform the procedure described in this manual. Residual pressure in the pressure washer can cause personal injury or damage to the pump inside.

- Release the switch trigger and lock it using the lock button.
- Disconnect the water hose from the water supply. ► Fig.29
- Unlock the switch trigger and squeeze it until the remaining water in the pressure washer and hose is discharged. ► Fig.30

**NOTICE:** Do not run the motor for longer than 1 minute(s).

- Release the switch trigger and lock it using the lock button. Then remove the battery from the pressure washer. ► Fig.31: 1. Lock button 2. Battery cartridge
- Disconnect the pressure hose from the pressure washer. ► Fig.32: 1. Coupling sleeve 2. Water hose connector

**NOTICE:** To prevent the pressure hose from being damaged, remove the remaining water in the hose before storing.

## MAINTENANCE

**CAUTION:** Always be sure that the tool is switched off and battery cartridge is removed before attempting to perform inspection or maintenance.

**NOTICE:** Never use gasoline, benzine, thinner, alcohol or the like. Discoloration, deformation or cracks may result.

To maintain product SAFETY and RELIABILITY, repairs, any other maintenance or adjustment should be performed by Makita Authorized or Factory Service Centers, always using Makita replacement parts.

## Cleaning nozzles

Use the cleaner pin, a tiny file type finger, to remove clogged dirt from the nozzle openings.

► Fig.33: 1. Cleaner pin 2. Nozzle

**NOTE:** To maintain the optimal performance, clean the nozzle periodically.

**NOTICE:** Do not remove dirt or debris forcibly. This may result in personal injury or damage to the ejection hole causing deviated jet angles or poor performance.

## Cleaning filters

Detach the water hose connector from the pressure washer. Remove dust or dirt adhered to the filter.

► Fig.34: 1. Water hose connector 2. Filter 3. Sealing ring

Disassemble the strainer by unthreading the filter case. Remove dust or dirt adhered to the filter.

► Fig.35: 1. Filter 2. Filter case

**NOTE:** To maintain the optimal performance, clean the filter periodically.

## TROUBLESHOOTING

Before asking for repairs, conduct your own inspection first. If you find a problem that is not explained in the manual, do not attempt to dismantle the tool. Instead, ask Makita Authorized Service Centers, always using Makita replacement parts for repairs.

| State of abnormality       | Probable cause (malfunction)        | Remedy  |
|----------------------------|-------------------------------------|---|
| The washer does not start. | No electricity                      | Install charged battery cartridge.                |
|                            | The switch trigger is locked.       | Unlock the switch trigger.                        |
|                            | Damaged battery or electric circuit | Contact an authorized service center for repairs. |

| State of abnormality          | Probable cause (malfunction)               | Remedy  |
|-------------------------------|--|---|
| No water jet / weak water jet | No water supply                            | Make sure that the faucet is open. If connecting to tank water supply, introduce water into the pressure washer and hose. |
|                               | Poor water supply                          | Turn on the faucet.   |
|                               | Poor water hose connection                 | Check the connection between the pressure washer and water supply.  |
|                               | Deformed or worn water hose                | Straighten the hose. Replace the damaged water hose with new one.   |
|                               | Clogged hose or nozzle                     | Unclog the hose or nozzle.  |
|                               | Clogged filters                            | Remove dust or dirt adhered to the filters in the strainer and the water hose connector.                                  |
|                               | Waste/contaminated water                   | Clean the water system and refill with clean water.   |
|                               | Damaged or worn nozzle                     | Replace the nozzle.   |
|                               | Pump or valve malfunction                  | Contact an authorized service center for repairs.   |
|                               | Loose water joint                          | Secure the connection between water hose and coupling sleeves.  |
|                               | Leaks from water supply connection         | Re-tighten the connection between the water hose and water supply.  |
|                               | Insufficiently installed strainer          | Submerge the strainer into the water completely.  |
| Low pressure mode in use      | Select the high pressure mode.             |   |
| Unstable water jet            | Clogged nozzle                             | Unclog on the ejection hole of the nozzle using the cleaner pin.  |
|                               | Poor water suction                         | Check the water hose for any leakage or clogs.  |
|                               | The water is too hot.                      | Supply cooler water.  |
|                               | Valve malfunction                          | Contact an authorized service center for repairs.   |
| Abnormal sound                | The water is too hot.                      | Supply cooler water.  |
| Water leakage                 | Poor connection                            | Check the connection between the pressure washer and water supply.  |
|                               | Poor nozzle installation                   | Push the nozzle all the way in. Then turn the nozzle until it is locked securely.   |
|                               | Nozzle head stays in an incorrect position | Set the nozzle head in a clicked position with a spray pattern symbol clearly visible.                                    |
|                               | Worn out sealings                          | Contact an authorized service center for repairs.   |

## OPTIONAL ACCESSORIES

**⚠ CAUTION:** These accessories or attachments are recommended for use with your Makita tool specified in this manual. The use of any other accessories or attachments might present a risk of injury to persons. Only use accessory or attachment for its stated purpose.

If you need any assistance for more details regarding these accessories, ask your local Makita Service Center.

**NOTE:** Some items in the list may be included in the tool package as standard accessories. They may differ from country to country.

### Foam nozzle

► Fig.36

Detergent can be sprayed as foam.

### Washing brush

► Fig.37

A nozzle equipped with a brush. Useful for washing out dirt while scrubbing with brush.

### Angle nozzle

► Fig.38

An angled nozzle head can rotate 360 degrees, allowing for maneuverability and coverage without any dead angles.

### Plastic bottle adapter

► Fig.39

Pump bottled water and easily extract it from a plastic bottle. A water bottle can serve as a water source.

## VARNING

- Apparaten får inte användas av barn. Barn ska övervakas för att se till att de inte leker med apparaten.
- Denna apparat är inte avsedd att användas av personer (inklusive barn) med nedsatt fysisk, sensorisk eller mental förmåga, eller personer utan erfarenhet av och kunskap om apparaten, såvida de inte har övervakats eller fått instruktioner angående användningen av anordningen av en person som är ansvarig för deras säkerhet.
- Vatten under tryck får inte riktas mot personer, strömförande elektrisk utrustning eller själva apparaten.
- Se alltid till att apparaten är avstängd och att batterikassetten är borttagen innan något arbete utförs på detta verktyg.
- Använd inte apparaten om viktiga delar på den är skadade, t.ex. säkerhetsanordningar och tryckslangar.
- Se anvisningarna i underhållsavsnittet för lämpliga försiktighetsåtgärder vid användarunderhåll.
- Skaffa information om det normala temperaturintervallet för laddning av batteri. Läs säkerhetsanvisningarna för batterikassetten för försiktighetsåtgärder om hantering av batterier.
- Se anvisningarna i monteringsavsnittet för lämpliga försiktighetsåtgärder vid monteringen av apparaten.
- Skaffa information om det maximala inkommande vattentrycket. Läs informationen i specifikationsavsnittet för detaljer om lämplig anslutning till vattenledningen.
- Använd alltid slanguppsättningarna som bifogades med apparaten. Läs anvisningarna i monteringsavsnittet för att få försiktighetsåtgärder om anslutning till vattenledningen.
- Öppningen för påfyllning av vatten får inte öppnas under användning. Följ anvisningarna i monteringsavsnittet för att underhålla vattentrycket.
- Använd inte apparaten i simbassänger som innehåller vatten.
- Följ kraven från det lokala vattenverket.

- För Europeiska länder:  
I enlighet med EN12729 (BA) kan apparaten även anslutas till det kommunala vattennätet om en backventil med dräneringsfunktion monteras på matningsslangen.

## SPECIFIKATIONER

| Modell:  |  | DHW180                  |
|--|--|-------------------------|
| Max. flöde <sup>*1</sup><br>[Vattentillförsel från tank / vattentillförsel från vattennätet] |  | 3,0 / 5,3 l/min         |
| Vattenflödeshastighet <sup>*2</sup>  | Högt läge  | 2,5 l/min               |
|  | Lågt läge  | 1,5 l/min               |
| Max. arbetsstryck  |  | 2,4 MPa                 |
| Arbetsstryck <sup>*2</sup>   | Högt läge<br>[Vattentillförsel från tank /<br>vattentillförsel från vattennätet] | 2,0 / 2,2 MPa           |
|  | Lågt läge<br>[Vattentillförsel från tank /<br>vattentillförsel från vattennätet] | 0,8 / 0,8 MPa           |
| Max matningstryck  |  | 0,5 MPa                 |
| Max matningstemperatur   |  | 40°C                    |
| Max sughöjd  |  | 2,0 m                   |
| Märkspänning   |  | 18 V likström           |
| Mått <sup>*3</sup><br>[L x B x H]  |  | 888 mm x 99 mm x 239 mm |
| Vikt   |  | 2,3 – 2,7kg             |

\*1: Utan munstycke

\*2: Sprutmönster 15°

\*3: Med 5-i-1-munstycke och förlängning

- På grund av vårt pågående program för forskning och utveckling kan dessa specifikationer ändras utan föregående meddelande.
- Specifikationer kan variera mellan olika länder.
- Vikten kan variera beroende på tillbehören, inklusive batterikassett. Den lättaste och den tyngsta kombinationen enligt EPTA-procedur 01/2014 visas i tabellen.

### Tillgänglig batterikassett och laddare

|                |   |
|----------------|---|
| Batterikassett | BL1815N / BL1820B / BL1830B / BL1840B / BL1850B / BL1860B             |
| Laddare        | DC18RC / DC18RD / DC18RE / DC18SD / DC18SE / DC18SF / DC18SH / DC18WC |

- Vissa av batterikassetterna och laddarna på listan ovan kanske inte finns tillgängliga i din region.

**⚠ VARNING: Använd endast batterikassetter och laddare från listan ovan.** Användning av andra batterikassetter och laddare kan orsaka personskada och/eller brand.

**⚠ VARNING: Använd inte en strömförsörjning med sladd, som en batteriadapter eller bärbart strömpaket, med denna maskin.** Kabeln till sådan anordning kan hindra användningen och leda till personskada.

### Symboler



Var extra försiktig och uppmärksam.

Följande visar symbolerna som kan användas för utrustningen. Se till att du förstår innebörden innan användning.



Läs igenom bruksanvisningen.



Gäller endast inom EU  
P.g.a. förekomsten av farliga komponenter i utrustningen kan avfall innehållande elektrisk och elektronisk utrustning, ackumulatörer och batterier ha negativ inverkan på miljön och människors hälsa. Kassera inte elektriska och elektroniska apparater eller batterier ihop med hushållsavfall!  
I enlighet med EU-direktiven om avfall som utgörs av eller innehåller elektrisk och elektronisk utrustning och om batterier och ackumulatörer och förbrukade batterier och ackumulatörer, och dess införlivande i nationell lagstiftning, bör förbrukad elektrisk och elektronisk utrustning, batterier och ackumulatörer förvaras separat och transporteras till en särskild uppsamlingsplats för kommunalt avfall, som drivs i enlighet med regelverket för miljöskydd. Detta anges av symbolen med den överkryssade soptunnan på hjul som sitter på utrustningen.



Anslut inte till en dricksvattenkran.



Rikta inte strålen mot personer, däribland du själv och djur, eller mot strömförande elektrisk utrustning.

## Avsedd användning

Detta verktyg är avsett att rengöra smuts med en vattenstråle för hushållsbruk. Genom att erbjuda en valbar typ av sprutning kan verktyget användas för att förbättra din rengöring samt för bevattning av gräsmattor och trädgårdar.

## SÄKERHETSVARNINGAR

### VIKTIGA SÄKERHETSVARNINGAR

**⚠ VARNING:** Läs igenom alla säkerhetsvarningar och anvisningar. Underlåtenhet att följa varningar och instruktioner kan leda till elstötar, brand och/eller allvarliga personskador.

## Spara alla varningar och instruktioner för framtida referens.

**WARNING** – När du använder denna produkt ska grundläggande försiktighetsåtgärder alltid följas, inklusive följande:

### Säkerhet på arbetsplatsen

- Håll alla personer borta från arbetsområdet.
- Sträck dig inte och stå inte på instabila underlag. Stå alltid stabilt och ha god balans hela tiden.
- Placera alltid trycktvättens stomme på en jämn och stabil yta. Undvik områden där det utsprutade vattnet rinner eller samlas i pölar.
- Kontrollera omgivningarna och föremålen som ska rengöras före rengöringen. Tryckstrålar kan skrapa bort färg eller annan ytbehandling

inklusive giftiga kemikalier. Vidta förebyggande åtgärder om det behövs.

- Var försiktig så att du inte snubblar över trycktvättens slang. Var alltid medveten om hur slangen är dragen under användning.
- Under användning kommer en liten mängd vatten ut ur underdelen av trycktvätten. Var noga med att inte använda verktyget ovanför områden som du inte vill ska bli våta.

### Personskydd

- För att skydda sig mot strålen och mot föremål från strålen ska användarna ha på sig lämplig klädsel, som skyddskängor, skyddshandskar, skyddshjälm med visir, hörselskydd osv.
- Använd personlig skyddsutrustning. Beroende på tillämpningen, använd ansiktsskärm, korgglasögon eller skyddsglasögon eftersom ögonskydd kan stoppa flygande skräp som genereras av olika typer av användning.
- Använd inte trycktvätten där människor är inom räckhåll, såvida de inte bär skyddskläder.
- För att minska risken för skador är det nödvändigt med noggrann övervakning när produkten används i närheten av barn.
- Om anslutning görs till ett dricksvattensystem, ska systemet skyddas mot återsugning.
- Vatten som har flödat genom återsugningskyddet anses ej vara drickbart.

### Elsäkerhet

- Rör aldrig vid batterikassetterna med blöta händer.
- Använd inte apparaten om de viktiga delarna på den är skadade, t.ex. säkerhetsanordningar och tryckslangar.
- Undvik farliga miljöer. Använd inte maskinen på fuktiga eller blöta platser, och utsätt den heller inte för regn. Vatten som kommer in i maskinen ökar risken för elektriska stötar.

### Användning och underhåll av maskinen

- Läs alla instruktioner innan produkten används.
- Se till att du känner till hur du stoppar trycktvätten och snabbt lättar på trycket. Var väl förtrogen med reglagen.
- Spruta inte brandfarliga och/eller giftiga vätskor. Det kan orsaka explosion, förgiftning eller skada på apparaten.
- Rikta inte strålen mot dig själv eller andra för att rengöra kläder eller skor.
- Tryckslangar, kopplingar och anslutningsdon är viktiga för apparatens säkerhet. Använd endast slangar, kopplingar och anslutningsdon som rekommenderas av tillverkaren.
- Följ anvisningarna vid byte av tillbehör.
- Håll handtagen torra, rena och fria från olja och fett.
- Var uppmärksam – se upp med vad du gör.
- Använd inte produkten när du är trött eller påverkad av alkohol eller läkemedel.
- Kör inte trycktvätten utan vatten längre än en minut. Det skadar motorn med funktionsfel som följd.

11. Stäng alltid av strömmen och stäng av vattentillförseln när trycktvätten lämnas obevakad.
12. Se upp för bakåtkast. Apparaten studsar tillbaka när tryckstrålen sprutas ut från munstycket. Håll apparaten stadigt för att förebygga olyckshändelser med skador.
13. Kontrollera efter skadade eller slitna delar före användning. Se också till att slangen är ordentligt ansluten och att det inte finns något läckage under användning. Att använda maskinen med funktionella defekter kan orsaka en olycka.
14. Dra inte i slangen för att flytta trycktvättens stomme. Detta skadar slangen och anslutningsdelar och leder till kortslutning eller funktionella defekter.
15. Ställ inte tunga föremål på slangen och låt inte fordon köra över den.
16. Lätta alltid på det kvarvarande trycket i apparaten innan slangen kopplas från.
17. När slangen ansluts till vattennätet ska instruktionerna från ditt lokala vattenverk följas.
18. Om trycktvätten tappas eller slår emot ett hårt föremål, se då till att kontrollera efter skador och sprickor. Att använda trycktvätten i skadat tillstånd kan ge upphov till rök och brand eller orsaka elstöt, med personskada som följd.
19. Förhindra oavsiktlig start. Försäkra dig om att strömbrytaren står i avstängt läge innan du ansluter batteripaketet, tar upp eller bär apparaten. Att bära apparaten med fingrarna på avtryckaren eller förse apparaten med ström när avtryckaren är intryckt, inbjuder till olyckor.
20. Koppla från batteripaketet från apparaten innan justeringar utförs, tillbehör byts eller apparaten lagras. Genom dessa förebyggande säkerhetsåtgärder minskas risken att maskinen startas oavsiktligt.
21. Ändra inte på apparaten eller batterikassetten och försök inte reparera dem, utom enligt vad som anges i användnings- och skötselinstruktionerna.
22. **WARNING – Risk för injicering eller skada –** Rikta inte utloppsstrålen mot personer.
23. Se till att föremålet eller området som ska rengöra tål väta. Annars kan föremålet eller platsen skadas vilket kan leda till personskada.

#### Användning och underhåll av batteri

1. Ladda endast med den batteriladdare som angetts av tillverkaren. En laddare som passar en viss typ av batterier kan skapa risk för brand när den används tillsammans med annat batteri.
2. Använd endast maskiner tillsammans med tillhörande batterier. Om andra batterier används kan risken för personskada och brand öka.
3. När batteriet inte används bör det hållas borta från andra metallföremål som till exempel gem, mynt, nycklar, spik, skruv eller andra små metallföremål som kan skapa anslutning från en terminal till en annan. Kortslutning av batteripolerna kan orsaka brännskador eller brand.
4. Under hårda förhållande kan det komma vätska ur batteriet. Undvik kontakt. Spola med

vatten om kontakt ändå råkar uppstå. Om vätskan kommer i kontakt med ögonen bör läkare uppsökas. Vätska från batteriet kan orsaka irritation på huden eller ge brännskador.

5. Använd inte ett batteripaket eller maskin som är skadat eller ändrat. Skadade eller ändrade batterier kan uppföra sig opålitligt, vilket kan leda till brand, explosion eller skaderisk.
6. Utsätt inte batteripaket eller maskiner för brand eller höga temperaturer. Exponering för brand eller temperaturer över 130 °C kan leda till explosion.
7. Följ alla laddningsinstruktioner och ladda inte batteripaketet eller maskinen utanför det temperaturintervall som anges i instruktionerna. Felaktig laddning, eller vid temperaturer utanför det angivna intervallet, kan skada batteriet och öka risken för brand.

#### Service

1. Följ de underhållsinstruktioner som anges i denna bruksanvisning.
2. För att säkerställa säkerheten i apparaten får endast reservdelar från tillverkaren eller som har godkänts av tillverkaren användas.
3. Lämna trycktvätten för service hos en behörig reparatör som endast använder identiska utbytesdelar. Detta säkerställer att säkerheten i trycktvätten upprätthålls.
4. Vid haveri eller funktionsfel på trycktvätten ska du omedelbart stänga av den och ta ut batterikassetten/-kassetterna. Kontakta din lokala återförsäljare eller ditt servicecenter.

#### Ytterligare säkerhetsvarningar

1. Använd inte verktyget när det finns risk för åska.
2. Var uppmärksam på var du har fötterna när du använder verktyget på lerig mark, i våta sluttningar eller hala ställen.
3. Undvik att arbeta i dåliga miljöer där utökad trötthet kan förväntas.
4. Byt inte ut batteriet i regn.
5. Låt inte verktyget åka ner i någon pöl.
6. När verktyget tas i förvar, undvik då direkt solljus och regn, och förvara det på en plats där det inte blir varmt eller fuktigt.
7. Ta efter användning bort smuts och torka verktyget fullständigt innan förvaring. Beroende på årtid eller område finns det risk för funktionsfel p.g.a. frystemperatur.
8. Låt inte batteripolen bli blöt av vätska som t.ex. vatten, och ha inte batteriet i vätska. Batteriet får inte lämnas i regn, och inte heller laddas, användas eller lagras på ett fuktigt eller vått ställe. Om polen blir våt eller vätska kommer in i batteriet, kan det kortslutas och det finns risk för överhettning, brand eller explosion.
9. När batteriet tagits bort från verktyget eller laddaren ska du se till att fästa batterikåpan vid batteriet och förvara det torrt.
10. Byt inte ut batteriet med våta händer.
11. Om apparaten fryser i kallt väder ska du kontakta ett auktoriserat servicecenter för reparationer.

12. Använd inte en nätansluten strömförsörjning som t.ex. en batteriadapter eller bärbart strömpaket ihop med denna apparat. Kabeln till sådan strömförsörjning kan hindra användningen och leda till personskada.

## SPARA DESSA ANVISNINGAR.

**⚠VARNING:** GLÖM INTE att också fortsättningsvis strikt följa säkerhetsanvisningarna för maskinen även efter att du blivit van att använda den.

Vid FELAKTIG HANTERING av maskinen eller om inte säkerhetsanvisningarna i denna bruksanvisning följs kan följden bli allvarliga personskador.

### Viktiga säkerhetsanvisningar för batterikassetten

1. Innan batterikassetten används ska alla instruktioner och varningsmärken på (1) batteriladdaren, (2) batteriet och (3) produkten läsas.
2. Montera inte isär eller mixtra med batterikassetten. Det kan leda till brand, överdriven värme eller explosion.
3. Om drifttiden blivit avsevärt kortare ska användningen avbrytas omedelbart. Det kan uppstå överhettning, brännskador och t o m en explosion.
4. Om du får elektrolyt i ögonen ska de sköljas med rent vatten och läkare uppsökas omedelbart. Det finns risk för att synen förloras.
5. Kortslut inte batterikassetten.
  - (1) Rör inte vid polerna med något strömförande material.
  - (2) Undvik att förvara batterikassetten tillsammans med andra metallobjekt som t.ex. spikar, mynt o.s.v.
  - (3) Skydda batteriet mot vatten och regn. En batterikortslutning kan orsaka ett stort strömflöde, överhettning, brand och maskinhaveri.
6. Förvara och använd inte verktyget och batterikassetten på platser där temperaturen kan nå eller överstiga 50 °C.
7. Bränn inte upp batterikassetten även om den är svårt skadad eller helt utsliten. Batterikassetten kan explodera i öppen eld.
8. Spika inte i, krossa, kasta, tappa eller slå batterikassetten mot hårda föremål. Dyliga handlingar kan leda till brand, överdriven värme eller explosion.
9. Använd inte ett skadat batteri.
10. De medföljande litiumjonbatterierna är föremål för kraven i gällande lagstiftning för farligt gods. För kommersiella transporter (av t.ex. tredje part som speditönsfirmor) måste de särskilda transportkrav som anges på emballaget och etiketter iakttas.  
För att förbereda den produkt som ska avsändas krävs att du konsulterar en expert på riskmaterial. Var också uppmärksam på att det i ditt land kan finnas ytterligare föreskrifter att följa.

Tejpa över eller maskera blottade kontakter och packa batteriet på sådant sätt att det inte kan röra sig fritt i förpackningen.

11. När batterikassetten ska kasseras måste den tas bort från maskinen och kasseras på ett säkert sätt. Följ lokala föreskrifter beträffande avfallshantering av batteriet.
12. Använd endast batterierna med de produkter som specificerats av Makita. Att använda batterierna med ej godkända produkter kan leda till brand, överdriven värme, explosion eller utläckande elektrolyt.
13. Om maskinen inte används under en lång tid måste batteriet tas bort från maskinen.
14. Under och efter användning kan batterikassetten bli het vilket kan orsaka brännskador eller lättare brännskador. Var uppmärksam på hur du hanterar varma batterikassetter.
15. Vidrör inte verktygets kontakter direkt efter användning eftersom de kan bli heta och orsaka brännskador.
16. Låt inte flisor, damm eller smuts fastna i kontaktarna, i hål eller spår i batterikassetten. Det kan leda till att verktyget eller batterikassetten värms upp, fattar eld, går sönder eller inte fungerar som de ska, vilket kan orsaka brännskador eller personskador.
17. Såvida inte verktyget stöder arbeten i närheten av högspänningsledning får batterikassetten inte användas i närheten av en högspänningsledning. Det kan leda till att verktyget eller batterikassetten går sönder eller inte fungerar korrekt.
18. Förvara batteriet utom räckhåll för barn.

## SPARA DESSA ANVISNINGAR.

**⚠FÖRSIKTIGT:** Använda endast äkta Makita-batterier. Användning av oäkta Makita-batterier eller batterier som har manipulerats kan leda till person- och utrustningsskador eller till att batteriet fattar eld. Det upphäver också Makitas garanti för verktyget och laddaren.

### Tips för att uppnå batteriets maximala livslängd

1. Ladda batterikassetten innan den är helt urladdad. Stanna alltid maskinen och ladda batterikassetten när du märker att maskinen blir svagare.
2. Ladda aldrig en fulladdad batterikasset. Överladdning förkortar batteriets livslängd.
3. Ladda batterikassetten vid en rumstemperatur på 10 °C - 40 °C. Låt en varm batterikasset svalna innan den laddas.
4. När batterikassetten inte används ska den tas bort från verktyget eller laddaren.
5. Ladda batterikassetten om du inte har använt den på länge (mer än sex månader).

# FUNKTIONSBESKRIVNING

**⚠ FÖRSIKTIGT:** Se alltid till att maskinen är avstängd och batterikassetten borttagen innan du justerar maskinen eller kontrollerar dess funktioner.

## Montera eller demontera batterikassetten

**⚠ FÖRSIKTIGT:** Stäng alltid av maskinen innan du monterar eller tar bort batterikassetten.

**⚠ FÖRSIKTIGT:** Håll stadigt i maskinen och batterikassetten när du monterar eller tar bort batterikassetten. I annat fall kan det leda till att de glider ur dina händer och orsakar skada på maskinen och batterikassetten samt personskada.

**⚠ FÖRSIKTIGT:** Var försiktig så att du inte klämmer fingrarna när du öppnar eller stänger batteriluckan.

Öppna luckan samtidigt som du trycker på låsspaken.

► **Fig.1:** 1. Skydd 2. Låsspak

Rikta in tungan på batterikassetten mot skåran i höljet och skjut den på plats. Tryck in den hela vägen tills den låser fast med ett litet klick. Om du kan se den röda indikatorn som bilden visar är den inte helt låst.

► **Fig.2:** 1. Röd indikator 2. Knapp 3. Batterikassett

Se till att stänga skyddet efter att du installerat eller tagit bort batterikassetterna.

Ta bort batterikassetten genom att först öppna luckan och sedan skjuta av batterikassetten från verktyget samtidigt som du trycker ner knappen på framsidan. Stäng sedan luckan.

**⚠ FÖRSIKTIGT:** Sätt alltid i batterikassetten helt tills den röda indikatorn inte längre syns. I annat fall kan den oväntat falla ur verktyget och skada dig eller någon annan.

**⚠ FÖRSIKTIGT:** Montera inte batterikassetten med våld. Om kassetten inte lätt glider på plats är den felinsatt.

**⚠ FÖRSIKTIGT:** Se till att låsa skyddet före användning.

## Skyddssystem för maskinen/ batteriet

Verktyget är utrustad med ett skyddssystem för verktyget/ batteriet. Detta system bryter automatiskt strömmen till motorn för att förlänga verktygets och batteriets livslängd. Verktyget stoppar automatiskt med indikering om verktyget eller batteriet hamnar i en av följande situationer:

► **Fig.3:** 1. Indikator

## Överbelastningsskydd

När maskinen eller batteriet används på ett sätt som gör att det drar onormalt mycket ström stoppas verktyget automatiskt och den röda indikatorn tänds. Om detta sker stänger du av verktyget och upphör med det arbete som gjorde att det överbelastades. Slå sedan på verktyget för att starta om.

## Överhettningsskydd

När verktyget eller batteriet överhettas stoppas verktyget automatiskt och den röda indikatorn tänds. Om detta sker ska du låta verktyget svalna innan du slår på det igen.

## Överurladdningsskydd

När batterikapacitet blir låg blinkar den röda indikatorn. När batteriet nästan är urladdat stoppas verktyget automatiskt och den röda indikatorn tänds. Om detta sker ska du ta bort batteriet från verktyget och ladda det.

## Skydd mot andra orsaker

Skyddssystemet är också utvecklat för att hantera andra orsaker som skulle kunna skada verktyget och tillåter verktyget att stanna automatiskt. Ta följande steg för att åtgärda felen när verktyget stannat temporärt eller helt.

1. Stäng av verktyget och starta sedan upp den igen för att starta om.
2. Laddning av batteriet/batterierna och ersätt det/ dem med laddade batteri(er).
3. Låt verktyget och batteri(erna) svalna.

Om ingen förbättring kan hittas genom att återställa skyddssystemet, kontakta ditt lokala Makita Service Center.

**OBSERVERA:** Om verktyget stannar av en orsak som inte är angiven ovan, se avsnittet Felsökning.

## Indikerar kvarvarande batterikapacitet

### Endast för batterikassetter med indikator

Tryck på kontrollknappen på batterikassetten för att se kvarvarande batterikapacitet. Indikatorlamporna lyser i ett par sekunder.

► **Fig.4:** 1. Indikatorlampor 2. Kontrollknapp

| Indikatorlampor |         |              | Kvarvarande kapacitet     |
|-----------------|---------|--------------|---------------------------|
| ■<br>Upplyst    | □<br>Av | ◐<br>Blinkar |                           |
| ■ ■ ■ ■         |         |              | 75% till 100%             |
| ■ ■ ■ □         |         |              | 50% till 75%              |
| ■ ■ □ □         |         |              | 25% till 50%              |
| ■ □ □ □         |         |              | 0% till 25%               |
| ◐ □ □ □         |         |              | Ladda batteriet.          |
| ■ ■ □ □         |         |              | Batteriet kan ha skadats. |
| □ □ ■ ■         |         |              |                           |



**OBS:** Beroende på användningsförhållanden och den omgivande temperaturen kan indikationen skilja sig lätt från den faktiska batterikapaciteten.

**OBS:** Den första (längst till vänster) indikatorlampan kommer att blinka när batteriskyddssystemet fungerar.

## Trycklägesbrytare

Välj önskat tryckläge genom att skjuta brytarspaken framåt och bakåt.

Dra spaken bakåt för lågtrycksläge så att siffersymbolen "1" visas på brytaren.

Tryck spaken framåt för högtrycksläge så att siffersymbolen "2" visas på brytaren.

- **Fig.5:** 1. Lågtrycksläge (1) 2. Högtrycksläge (2)  
3. Brytarspak för tryckläge

## Avtryckare

Trycktvätten har ett säkerhetslås på avtryckaren. Frigör avtryckarlåset genom att trycka in låsknappen i avtryckaren så att avtryckarens yta blir plan.

Tryck in avtryckaren för att spruta ut en vattenstråle. Strålen fortsätter så länge avtryckaren hålls intryckt.

- **Fig.6:** 1. Avtryckare 2. Låsknapp

Tryck ut låsknappen från insidan av avtryckaren för att aktivera avtryckarlåset.

Se till att låsa avtryckaren när trycktvätten inte används.

- **Fig.7:** 1. Avtryckare 2. Låsknapp

## Munstycksfunktioner

Sprutmunstycke med flera mönster (5-i-1) har en rad tvättmönster som du kan justera beroende på dina tvättbehov. Genom att kombinera fem av de mest använda sprutmönstren i ett munstycke, behöver du inte längre byta från det ena till det andra, ställ bara in rätt sprutmönster för din uppgift.

**Enkelt byte av munstycken 0°, 15°, 25°, 40° och dusch**

► **Fig.8**

- **Fig.9:** 1. Symbol för sprutmönster  
2. Triangelmarkering

Vrid munstyckshuvudet åt vänster eller höger till läget för önskat sprutmönster. Rikta in symbolen för önskat sprutmönster med triangelmarkeringen så att munstyckshuvudet låses med ett klick.

► **Fig.10**

**OBSERVERA:** Var försiktig så att du inte ställer in munstyckshuvudet i ett läge utan ett klick. Annars kan verktyget skapa oregelbundna sprutmönster som resulterar i vattenläckor.

**FÖRSIKTIGT:** Försök att inte rotera själva munstycket när du byter sprutmönster. Munstycket kan lossna från verktygets stomme och orsaka personskada.

## Säkerhetsventil

Detta verktyg är försett med en säkerhetsventil som förhindrar olämpligt övertryck.

**FÖRSIKTIGT:** Manipulera eller justera inte säkerhetsventilinställningen.

## MONTERING

**FÖRSIKTIGT:** Se alltid till att maskinen är avstängd och batterikassetten borttagen innan du underhåller maskinen.

## Montera munstycke och lansförlängning

**FÖRSIKTIGT:** Läs alltid avtryckaren vid fastsättning/borttagning av ett munstycke och en förlängning.

### Munstycke

Rikta in styrutspårningen på munstyckets ände med låsspåren i verktygshölet. Tryck in munstycket hela vägen till de två triangelmarkeringarna på munstycket och hölet är vända mot varandra. Vrid sedan munstycket i riktningen som visas i figuren för att aktivera låset.

När du har installerat munstycket, försök att dra tillbaka det för att säkerställa att det sitter ordentligt på plats.

- **Fig.11:** 1. Munstycke 2. Styrutspårning 3. Låsspår  
4. Triangelmarkeringar 5. Bäckfenformad kontur

**OBS:** Se till att den bäckenfenformade konturen är vänd nedåt.

Ta bort munstycket genom att trycka och hålla munstycket mot verktygshölet och sedan vrida det moturs tills de två triangelmarkeringarna är vända mot varandra. Dra bort munstycket från verktygshölet efter att det har låsts upp.

### Lansförlängning

Bevattnings av svåråtkomliga platser. Montera lansförlängningen mellan verktygshölet och munstycket genom att följa samma steg som i beskrivningen för monteringen av munstycket.

- **Fig.12:** 1. Lansförlängning 2. Verktygshölet  
3. Munstycke 4. Styrutspårning 5. Låsspår  
6. Triangelmarkeringar

Ta bort tillsatsen genom att trycka och hålla spetsen mot monterade tillsatsen/hölet och sedan vrida den moturs tills de två triangelmarkeringarna är vända mot varandra. Dra bort spets tillsatsen från den monterade tillsatsen/hölet efter att det har låsts upp.

## Anslutning till vattentillförsel från tank

**OBSERVERA:** Använd alltid tryckslangen och silen som levererades med verktyget för att tillföra vatten.

**OBSERVERA:** Ha alltid en höjd på 2,0 m eller mindre mellan trycktvättens inlopp och vattentanken. Annars kan inte trycktvätten suga upp vattnet i pumpen.

**OBSERVERA:** Se till att fylla en vattenbehållare till ett djup mer än 25 mm från botten och att sänka ned silen helt i vattnet.

Vatten kan tillföras från en tank/behållare/reservoar av vilken storlek som helst.

Vatten som tillförs från en tank är praktiskt i situationer där en trycktvätt ska användas som till exempel biltvätt och trädgårdsskötsel, där vatten inte är tillgängligt och måste transporteras till tvättområdet eller platsen.

1. Fäst silen till ena änden av tryckslangen.

För in silutloppet i slangkopplingen och tryck in den till silen sitter ordentligt på plats.

► **Fig.13:** 1. Sil 2. Slangkoppling 3. Tryckslang

2. Lämna silen i botten av vattenbehållaren.

► **Fig.14:** 1. Sil 2. Tryckslang 3. Slangkrok

**OBS:** Häng slangen längs öppningen med den medföljande slangkroken så att silen sitter still i botten av behållaren.

3. Fäst den andra änden av slangen till vattenslanganslutningen på trycktvätten.

Placera slangkopplingen över inloppet på anslutningen och tryck på den tills slangkopplingen sitter säkert på plats.

► **Fig.15:** 1. Slangkoppling 2. Vattenslanganslutning

**⚠FÖRSIKTIGT:** Se till att högtrycksslangen är säkert ansluten. En lös anslutning kan få högtrycksslangen att flyga av, med personskada som följd.

**OBSERVERA:** Tillför vatten i trycktvätten och slangen i förväg när du ska lyfta vatten från ett visst djup i högtrycksläget.

## Anslutning till vattentillförsel från vattennätet

**⚠FÖRSIKTIGT:** Använd alltid tryckslangen som levererades med verktyget för att tillföra vatten.

**OBSERVERA:** Om du ansluter till dricksvattensystemet ska du använda ett återsugningskydd som uppfyller regelverket i din region.

**OBSERVERA:** Underhåll ett matningstryck för vatteninloppet som är mindre än 0,5 MPa för finare matning. Överskrid inte det maximala matningstrycket eftersom det kan orsaka vattenläckor när arbetet med verktyget stoppas.

Vatten kan tillföras från vattennätet som är tillgängligt i tvättområdet eller på platsen.

En kontinuerlig vattentillförsel gör att du inte behöver fylla på vatten och gör rengöringen i hemmet och trädgårdsarbete, såsom punktstädning, sköljning och bevattning av stora gräsmattor eller växtlighet, mer effektivt.

1. Anslut den tryckslangen till kranen.

Använd en lämplig koppling, t.ex. en vattenkranfog, för att fästa slangänden vid kranen.

► **Fig.16:** 1. Vattenkranfog 2. Slangkoppling 3. Tryckslang

**OBS:** Typen av koppling beror på formen på kranen du ansluter till. Förbered en lämplig kommersiellt inköpt koppling.

2. Fäst den andra änden av slangen till vattenslanganslutningen på trycktvätten.

Placera slangkopplingen över inloppet på anslutningen och tryck på den tills slangkopplingen sitter säkert på plats.

► **Fig.17:** 1. Slangkoppling 2. Vattenslanganslutning

## Montera skummunstycket

*Valfria tillbehör*

**⚠FÖRSIKTIGT:** Lås alltid avtryckaren vid fastsättning/borttagning av valfria tillbehör.

**OBSERVERA:** Använd endast neutrala rengöringsmedel. Använd inte hushållsrengöringsmedel, sura rengöringsmedel, alkaliska rengöringsmedel, blekmedel, lösningsmedel, brandfarliga material eller lösningar av industriell kvalitet, som kan skada verktyget eller din egendom. Förbered rengöringslösningen enligt anvisningarna på lösningsflaskan, och testa den alltid på en osynlig plats i förväg.

**OBSERVERA:** Om ett rengöringsmedel med hög viskositet används är det troligt att munstycket täpps igen. Späd ut rengöringsmedlet genom att fylla på vatten i flaskan före användning när du använder ett rengöringsmedel med hög viskositet.

**OBS:** När du använder skummunstycket späds rengöringsmedlet i flaskan med vattnet från verktyget och sprutas. Du behöver inte späda ut koncentrationen av rengöringsmedel i flaskan mer än nödvändigt. Justera koncentrationen av rengöringsmedel när du kontrollerar användningsförhållandena.

**OBS:** Om skummunstycket är vänt på sidan kan rengöringsmedel spilla ut.

Gör i ordning ett rengöringsmedel innan skummunstycket används.

1. Fyll tanken med rengöringsmedel. Fäst munstycket på tanken och dra åt locket ordentligt.

2. Luta skummunstycket så att dess styrustrång är inriktade med låsspåren i verktygshöljet. Tryck in munstycket hela vägen och håll det på plats. Vrid sedan skummunstycket i riktningen som visas i figuren för att aktivera låset.

► **Fig.18:** 1. Skummunstycke 2. Tank 3. Styrustrång 4. Låsspår

När du har installerat munstycket, försök att dra tillbaka det för att säkerställa att det sitter ordentligt på plats.

3. Vrid rengöringsmedelsratten för att justera sugvolymen för rengöringslösningen.

► **Fig.19:** 1. Rengöringsmedelsratt 2. Ratt till minimum 3. Ratt till maximum

## Montera valfria munstycken

### Valfria tillbehör

**⚠FÖRSIKTIGT:** Läs alltid avtryckaren vid fastsättning/borttagning av valfria tillbehör.

Rikta in styrustrången på änden av det valfria munstycket med låsspåren i verktygshöljet. Tryck in munstycket hela vägen och håll det på plats. Vrid sedan munstycket i riktningen som visas i figuren för att aktivera låset.

När du har installerat munstycket, försök att dra tillbaka det för att säkerställa att det sitter ordentligt på plats.

► **Fig.20:** 1. Munstycken 2. Styrustrång 3. Låsspår

Ta bort munstycket genom att trycka och hålla munstycket mot verktygshöljet och sedan vrida det moturs för att frigöra låset. Dra bort munstycket från tryckväten efter att det har låsts upp.

## Montera adaptern för plastflaskor

### Valfria tillbehör

**⚠FÖRSIKTIGT:** Läs alltid avtryckaren vid fastsättning/borttagning av valfria tillbehör.

**⚠FÖRSIKTIGT:** Se till att fästa adaptern för plastflaskor ordentligt till tryckväten och plastflaskan. I annat fall kan flaskan falla och leda till personskada.

**OBS:** Det rekommenderas att en 2 liters (halvt gallon) plastflaska används för vatten.

1. Fyll på vatten in en plastflaska.
2. För ner sugröret genom flasköppningen.
3. Fäst adaptern till flaskan genom att dra åt muttern på slangkopplingen.
4. Fäst adaptern för plastflaskor till vattenslanganslutningen på tryckväten.

Placera slangkopplingen över inloppet på anslutningen och tryck på den tills slangkopplingen sitter säkert på plats.

► **Fig.21:** 1. Adapter för plastflaskor 2. Sugrör 3. Plastflaska 4. Vattenslanganslutning

## ANVÄNDNING

**⚠VARNING:** Rör inte vid vattenstrålen och rikta den inte mot dig själv eller andra. Vattenstrålen är farlig och kan skada dig eller andra.

**⚠VARNING:** När du fyrar av vattenstrålen, håll då aldrig i föremålet som du ska rengöra och ha inte händer och fötter nära vattenstrålen.

**⚠FÖRSIKTIGT:** Kör inte tryckväten utan vatten längre än 1 minut(er).

**⚠FÖRSIKTIGT:** Kör inte tryckväten under en längre tidsperiod. Det kan orsaka överhettning eller brand. Långvarig användning kan också orsaka vibrationsstörningar.

**⚠FÖRSIKTIGT:** Var uppmärksam på vindriktningen. Om du får rengöringsmedlet i ögonen eller munnen, skölj då genast med färskt vatten och sök läkarhjälp om det behövs.

**OBSERVERA:** För att skydda tryckvästens mekanism ska vatten som är varmare än 40°C (104°F) inte användas.

**OBSERVERA:** Använd inte en obehandlad vattentillförsel, såsom flodvatten, dammvatten och sandigt eller lerigt vatten. Ofiltrerat smutsigt vatten kan orsaka avlagring av oönskat material i pumpen, vilket resulterar i funktionsfel.

### Vattenlyfthöjd

Den vertikala höjden från vattenkällan till vattensuginloppet på tryckväten måste vara inom 2,0 m.

### Vattendjup i behållare

Fyll en vattenbehållare till ett djup mer än 25 mm från botten.

► **Fig.22:** 1. Vattenlyfthöjd 2. Vattendjup i behållare

### Steg för grundläggande drift

1. Anslut vattenslanginloppet till vattentillförseln.
2. Anslut vattenslangutloppet till tryckväten.

► **Fig.23**

3. Fyll på vatten in tryckslangen och tryckväten om det återstående vattnet in tryckväten har tömts ut sedan den senast användes.

Låt vatten flöda genom slangen och tryckväten tills all luft i dem har släppts ut.

- (1) Ta bort munstycket från tryckväten.
- (2) Sätt i batterikassetten i tryckväten.
- (3) Välj högtrycksläget.
- (4) Lås upp avtryckaren.
- (5) Dra in och håll in avtryckaren tills tryckväten genererar en stabil vattenstråle.

► **Fig.24:** 1. Brytarspak för tryckläge

Släpp avtryckaren när luften i tryckväten och slangen har släppts ut.

Ta bort batterikassetten från tryckväten och montera ett munstycke som är lämpligt för ditt ändamål.

4. Öppna locket och montera batterikassetten i tryckväten, stäng sedan locket.

► **Fig.25:** 1. Batterikasset 2. Skydd

**⚠FÖRSIKTIGT:** Var försiktig så att du inte klämmer fingrarna när du öppnar eller stänger batteriluckan.

5. Välj önskat tryckläge. Lås sedan upp avtryckaren.
- **Fig.26:** 1. Brytarspak för tryckläge 2. Avtryckare 3. Låsknapp

6. Peka munstyckshuvudet mot bevattningsområdet eller platsen. Tryck in avtryckaren.

Vattenstrålen fortsätter så länge avtryckaren hålls intryckt.

► Fig.27

► Fig.28

**⚠ FÖRSIKTIGT:** Håll ordentligt i trycktvätten. Verktyget studsar tillbaka när du trycker in avtryckaren.

**⚠ FÖRSIKTIGT:** Håll alltid trycktvätten i handtaget och cylindern när du sprutar ut vattenstrålen.

## Efter användning

**⚠ FÖRSIKTIGT:** Efter användning av trycktvätten ska alltid den procedur som beskrivs i denna handbok följas. Kvarvarande tryck i trycktvätten kan leda till personskada eller invändig skada på pumpen.

1. Släpp avtryckaren och läs den med låsknappen.
2. Koppla bort vattenslangen från vattentillförseln.  
► Fig.29
3. Lås upp avtryckaren och tryck in den tills det återstående vattnet i trycktvätten och slangen har släppts ut.

► Fig.30

**OBSERVERA:** Kör inte motorn längre än 1 minut(er).

4. Släpp avtryckaren och läs den med låsknappen. Ta sedan bort batteriet från trycktvätten.  
► Fig.31: 1. Låsknapp 2. Batterikassett
5. Koppla bort tryckslangen från trycktvätten.  
► Fig.32: 1. Slangkoppling 2. Vattenslangsanslutning

**OBSERVERA:** För att förhindra att tryckslangen skadas ska det återstående vattnet i slangen tas bort före lagring.

## UNDERHÅLL

**⚠ FÖRSIKTIGT:** Se alltid till att verktyget är avstängt och batterikassetten borttagen innan inspektion eller underhåll utförs.

**OBSERVERA:** Använd inte bensin, förtunningsmedel, alkohol eller liknande. Missfärgning, deformation eller sprickor kan uppstå.

För att upprätthålla produktens SÄKERHET och TILLFÖRLITLIGHET bör allt underhålls- och justeringsarbete utföras av ett auktoriserat Makita servicecenter och med reservdelar från Makita.

## Rengöring av munstycken

Använd ett rengöringsstift, en liten fil, för att ta bort smuts som täpper igen öppningarna i munstycket.

► Fig.33: 1. Rengöringsstift 2. Munstycke

**OBS:** Rengör munstycket regelbundet för att behålla bästa prestanda.

**OBSERVERA:** Ta inte bort smuts eller skräp med våld. Det kan leda till personskada eller skada på utmatningshålet med avvikande strålvinklar eller dålig prestanda som följd.

## Rengöring av filter

Ta bort vattenslangsanslutningen från trycktvätten. Ta bort damm eller smuts som har fastnat på filtret.

► Fig.34: 1. Vattenslangsanslutning 2. Filter  
3. Tätningssring

Demontera silen genom att skruva av filterhöljet. Ta bort damm eller smuts som har fastnat på filtret.

► Fig.35: 1. Filter 2. Filterhölje

**OBS:** Rengör filtret regelbundet för att behålla bästa prestanda.

## FELSÖKNING

Innan du ber om reparation ska du först utföra en egen kontroll. Om du hittar ett problem som inte finns förklarat i bruksanvisningen ska du inte försöka att ta isär maskinen. Fråga istället ett auktoriserat servicecenter för Makita, och använd alltid reservdelar från Makita för reparationer.

| Feltillstånd          | Trolig orsak (felfunktion)      | Åtgärd  |
|-----------------------|---------------------------------|---|
| Tvätten startar inte. | Ingen elektricitet              | Sätt i en laddad batterikassett.                        |
|                       | Avtryckaren är låst.            | Lås upp avtryckaren.                                    |
|                       | Skadat batteri eller strömkrets | Kontakta ett auktoriserat servicecenter för reparation. |

| Feltillstånd                         | Trolig orsak (felsfunktion)                      | Åtgärd   |
|--------------------------------------|--|--|
| Ingen vattenstråle/svag vattenstråle | Ingen vattentillförsel                           | Se till att kranen är öppen. Fyll på vatten in trycktvätten och slangen om den är ansluten till vattentillförsel från en tank. |
|                                      | Dålig vattentillförsel                           | Sätt på kranen.  |
|                                      | Dålig vattenslanganslutning                      | Kontrollera anslutningen mellan trycktvätten och vattentillförseln.  |
|                                      | Deformerad eller sliten vattenslang              | Räta ut slangen. Byt ut den skadade vattenslangen till en ny.  |
|                                      | Tilltäppt slang eller munstycke                  | Ta bort stoppet i slangen eller munstycket.  |
|                                      | Tilltäppta filter                                | Ta bort damm eller smuts som sitter på filtret i silen och vattenslanganslutningen.  |
|                                      | Avfall/förorenat vatten                          | Rengör vattensystemet och fyll på med rent vatten.   |
|                                      | Skadat eller slitet munstycke                    | Byt ut munstycket.   |
|                                      | Funktionsfel på pump eller ventil                | Kontakta ett auktoriserat servicecenter för reparation.  |
|                                      | Lös vattenfog                                    | Dra åt anslutningen mellan vattenslangen och slangkopplingarna.  |
|                                      | Läckage från anslutningen till vattentillförseln | Dra åt anslutningen mellan vattenslangen och vattentillförseln igen.   |
|                                      | Otillräckligt installerad sil                    | Sänk ner silen helt i vattnet.   |
|                                      | Lågtrycksläget används                           | Välj högtrycksläget.   |
| Instabil vattenstråle                | Tilltäppt munstycke                              | Ta bort stoppet i munstyckets utmatningshål med hjälp av rengöringsstiftet.  |
|                                      | Dåligt vattensug                                 | Kontrollera om vattenslangen läcker eller är igensatt.   |
|                                      | Vattnet är för varmt.                            | Tillför kallare vatten.  |
|                                      | Funktionsfel på ventil                           | Kontakta ett auktoriserat servicecenter för reparation.  |
| Onormalt ljud                        | Vattnet är för varmt.                            | Tillför kallare vatten.  |
| Vattenläckage                        | Dålig anslutning                                 | Kontrollera anslutningen mellan trycktvätten och vattentillförseln.  |
|                                      | Felaktig montering av munstycket                 | Tryck in munstycket hela vägen. Vrid sedan munstycket tills det är ordentligt låst.  |
|                                      | Munstyckshuvudet sitter i fel läge               | Sätt munstyckshuvudet i ett läge där det klickar fast och det tydligt går att se en symbol för sprutmönstret.                  |
|                                      | Utslitna tätningar                               | Kontakta ett auktoriserat servicecenter för reparation.  |

## VALFRIA TILLBEHÖR

**⚠ FÖRSIKTIGT:** Följande tillbehör eller tillsatser rekommenderas för användning med den Makita-maskin som denna bruksanvisning avser. Om andra tillbehör eller tillsatser används kan det uppstå risk för personskadorna. Använd endast tillbehören eller tillsatserna för de syften de är avsedda för.

Kontakta ditt lokala Makita servicecenter om du behöver ytterligare information om dessa tillbehör.

**OBS:** Några av tillbehören i listan kan vara inkluderade i maskinpaketet som standardtillbehör. De kan variera mellan olika länder.

### Skummunstycke

► Fig.36

Rengöringsmedel kan sprutas ut som skum.

### Tvättborste

► Fig.37

Ett munstycke försett med en borste. Praktiskt för att tvätta ut smuts samtidigt som man skrubbar med borsten.

### Vinkelmunstycke

► Fig.38

Ett vinklat munstyckshuvud kan rotera 360 grader vilket möjliggör manövrerbarhet och täckning utan några döda vinklar.

### Adapter för plastflaskor

► Fig.39

Pumpa enkelt vatten som extraheras från en plastflaska. En flaska med vatten kan användas som vattenkälla.

## ADVARSEL

- Apparatet skal ikke brukes av barn. Barn må være under oppsyn for å sikre at de ikke leker med apparatet.
- Dette apparatet skal ikke brukes av personer (inklusive barn) med nedsatte fysiske evner, sanseevner eller mentale evner, eller som mangler erfaring og kunnskap, med mindre de er under oppsyn eller har fått instruksjoner som gjelder bruk av apparatet av en person som er ansvarlig for deres sikkerhet.
- Trykkvannet må ikke rettes mot personer, strømførende utstyr eller selve apparatet.
- Pass alltid på at apparatet er slått av og batteriet er tatt ut før det utføres noe arbeid på det.
- Ikke bruk apparatet hvis viktige deler av det er skadet, f.eks. sikkerhetsutstyr eller trykkslanger.
- Les instruksjonene i vedlikeholdsavsnittet for å få informasjon om forholdsregler under brukervedlikehold.
- Lær det normale temperaturområdet for utskifting av batteri. Les sikkerhetsanvisningene for batteriet for å lære forholdsregler for håndtering av batterier.
- Les instruksjonene i monteringsavsnittet for å få informasjon om forholdsregler under installasjon av apparatet.
- Lær det maksimale innløpstrykket for vannet. Les informasjonen i spesifikasjonsavsnittet for å få informasjon om tilkobling til vannettet.
- Bruk alltid slangesettene som følger med apparatet. Les instruksjonene i monteringsavsnittet for å lære forholdsregler for tilkobling til vannettet.
- Vannfyllingsåpningen skal ikke åpnes under bruk. Følg instruksjonene i monteringsavsnittet for å opprettholde vanntrykket.
- Må ikke brukes i svømmebasseng som er fylt med vann.
- Følg kravene til det lokale vannverket.
- For land i Europa:  
Ifølge EN12729 (BA) kan innretningen også kobles til drikkevannforsyningen hvis en sikkerhetsventil for tilbakestrømning med tappeutstyr er installert i tilførselsslagen.

# TEKNISKE DATA

|   |  |                         |
|---|--|-------------------------|
| <b>Modell:</b>  |  | <b>DHW180</b>           |
| Maks. strømningshastighet <sup>*1</sup><br>[Vanntilførsel fra tank / vanntilførsel fra vannettet] |  | 3,0 / 5,3 l/min         |
| Vannstrømningshastighet <sup>*2</sup>   | Høy modus  | 2,5 l/min               |
|   | Lav modus  | 1,5 l/min               |
| Maks. arbeidstrykk  |  | 2,4 MPa                 |
| Arbeidstrykk <sup>*2</sup>  | Høy modus<br>[Vanntilførsel fra tank /<br>vanntilførsel fra vannettet] | 2,0 / 2,2 MPa           |
|   | Lav modus<br>[Vanntilførsel fra tank /<br>vanntilførsel fra vannettet] | 0,8 / 0,8 MPa           |
| Maks. matetrykk   |  | 0,5 MPa                 |
| Maks. matetemperatur  |  | 40°C                    |
| Maks. sugehøyde   |  | 2,0 m                   |
| Nominell spenning   |  | DC 18 V                 |
| Mål <sup>*3</sup><br>[L × B × H]  |  | 888 mm × 99 mm × 239 mm |
| Vekt  |  | 2,3–2,7kg               |

\*1: Uten munnstykke

\*2: Spraymønster 15°

\*3: Med 5-i-1-munnstykke og forlengelse

- På grunn av vårt kontinuerlige forsknings- og utviklingsprogram kan spesifikasjonene som oppgis i dette dokumentet endres uten varsel.
- Spesifikasjonene kan variere fra land til land.
- Vekten kan variere avhengig av tilbehøret/tilbehørene, inkludert batteriet. Den letteste og tyngste kombinasjonen, i henhold til EPTA-prosedyre 01/2014, vises i tabellen.

## Passende batteri og lader

|                |   |
|----------------|---|
| Batteriinnsett | BL1815N / BL1820B / BL1830B / BL1840B / BL1850B / BL1860B             |
| Lader          | DC18RC / DC18RD / DC18RE / DC18SD / DC18SE / DC18SF / DC18SH / DC18WC |

- Noen av batteriene og laderne som er opplistet ovenfor er kanskje ikke tilgjengelige, avhengig av hvor du bor.

**⚠ ADVARSEL: Bruk kun de batteriene og laderne som er opplistet ovenfor.** Bruk av andre batterier og ladere kan føre til personskader og/eller brann.

**⚠ ADVARSEL: Ikke bruk en kablet strømforsyning som batteriadapter eller bærbar lader med denne maskinen.** Strømforsyningens kabel kan komme i veien under bruk og føre til personskade.

## Symboler

Nedenfor ser du symbolene som kan brukes for dette utstyret. Forviss deg om at du forstår hva de betyr, før du begynner å bruke maskinen.



Les bruksanvisningen.



Vær spesielt forsiktig og oppmerksom.



#### Kun for EU-land

På grunn av forekomst av farlige komponenter i utstyret, kan avfall fra elektrisk og elektronisk utstyr, akkumulatører og batterier ha en negativ innvirkning på miljøet og menneskers helse.

Ikke kast elektriske og elektroniske apparater eller batterier sammen med husholdningsavfall!

I samsvar med det europeiske direktivet om avfall fra elektrisk og elektronisk utstyr og om akkumulatører og batterier samt akkumulatører og batterier som skal kastes, samt deres tilpasning til nasjonal lovgivning, skal brukt elektrisk utstyr samt brukte batterier og akkumulatører samles inn separat og leveres til et eget innsamlingssted for kommunalt avfall, som driver virksomhet i samsvar med miljøvernforskriftene.

Dette er angis av symbolet med den overkryssede avfallsbeholderen som er plassert på utstyret.



Må ikke kobles til en drikkevannskran.



Ikke rett strålen mot personer, inkludert deg selv, dyr og strømførende utstyr.

## Riktig bruk

Dette verktøyet er beregnet på å fjerne smuss ved hjelp av en vannstråle til husholdningsbruk. Ved hjelp av en valgbar spraytype kan verktøyet forbedre rengjøringen samt brukes til å vanne plenen og hagen.

## SIKKERHETSADVARSEL

### VIKTIGE SIKKERHETSADVARSLER

**⚠ ADVARSEL:** Les alle sikkerhetsadvarslene og alle instruksjonene. Hvis du ikke følger alle advarslene og instruksjonene som er oppført nedenfor, kan det føre til elektriske støt, brann og/eller alvorlige helseskader.

## Oppbevar alle advarsler og instruksjoner for senere bruk.

**ADVARSEL** – Når du bruker dette produktet, må du alltid følge de grunnleggende sikkerhetsanvisningene, inklusive de nedenstående:

#### Sikkerhet på arbeidsplassen

1. Sørg for at det ikke finnes personer på arbeidsplassen.
2. Ikke strekk deg for langt eller stå på ustabil underlag. Pass alltid på at du holder balansen og har godt fotfeste.
3. Trykkspylerhuset skal alltid plasseres på et jevnt og stabilt underlag. Unngå områder der vannet som spruter ut vil danne bekker eller pytter.

4. Før du begynner å rengjøre, må du kontrollere omgivelsene og gjenstandene som skal rengjøres. Trykkstråler kan skrape bort maling eller annen overflatebehandling, inkludert giftige kjemikalier. Iverksett forebyggende tiltak ved behov.
5. Unngå å snuble i slangen til trykkspyleren. Vær alltid oppmerksom på hvor slangen befinner seg under bruk.
6. Under bruk vil det renne litt vann ut av bunnen på trykkspyleren. Vær forsiktig så du ikke bruker verktøyet over områder du ikke vil skal bli våte.

#### Personlig sikkerhet

1. For å beskytte seg mot strålen og gjenstander som strålen sender ut, skal operatører bruke utstyr som vernesko, vernehansker, hjelm med visir, hørselsvern, osv.
2. Bruk personlig verneutstyr. Avhengig av bruken, bør du benytte visir eller vernebriller som øyevern for å stoppe avfall som slynges ut ved ulike typer bruk.
3. Ikke bruk trykkspyleren i nærheten av personer med mindre de har på seg verneklær.
4. Vær ekstra oppmerksom når produktet brukes i nærheten av barn for å redusere faren for skade.
5. Hvis høytrykkspyleren koble til et drikkevannssystem, må systemet være beskyttet mot tilbakestrømming.
6. Vann om har strømmet gjennom sikkerhetsventilen som tilbakestrømming anses for å være udrikkelig.

#### Elektrisk sikkerhet

1. Ta aldri på batteriene med våte hender.
2. Ikke bruk apparatet hvis viktige deler av det er skadet, f.eks. sikkerhetsutstyr eller trykkslanger.
3. Unngå farlige omgivelser. Ikke bruk utstyret i fuktige eller våte omgivelser, og ikke utsett det for regn. Hvis det kommer vann inn i verktøyet, vil risikoen for elektriske støt øke.

#### Bruk og vedlikehold av elektrisk verktøy

1. Les alle anvisningene før du bruker produktet.
2. Du må vite hvordan du skal stanse trykkspyleren og raskt tappe trykket. Gjør deg grundig kjent med kontrollene.
3. Ikke sprøyt brennbare og/eller giftige væsker. Det kan forårsake eksplosjon, forgiftning eller skade på apparatet.
4. Ikke rett strålen mot deg selv eller andre for å rengjøre klær eller skotøy.
5. Trykkslanger, utstyr og koblinger er viktige for apparatets sikkerhet. Bruk kun slanger, utstyr og koblinger som anbefales av produsenten.
6. Følg anvisningene når du bytter tilbehør.
7. Hold håndtakene tørre, rene og fri for olje eller smørefett.
8. Vær årvåken – følg med på hva du gjør.
9. Ikke bruk produktet når du er sliten eller under påvirkning av alkohol eller narkotika/legemidler.



10. Ikke bruk trykkspyleren uten vann i mer enn ett minutt. Det vil skade motoren og føre til feilfunksjon.
11. Slå alltid av strømmen og vanntilførselen når du lar trykkspyleren stå uten tilsyn.
12. Vær oppmerksom på muligheten for tilbake-slag. Apparatet slår tilbake når trykkstrålen spruter ut av munnstykket. Hold godt tak i apparatet for å unngå uhell og skader.
13. Kontroller med henblikk på skadde eller slitte deler før bruk. Pass også på at slangen er riktig tilkoblet og at det ikke oppstår lekkasje under bruk. Hvis du bruker apparatet når det har funksjonsfeil, kan det forekomme uhell.
14. Ikke dra i slangen når du skal flytte trykkspylershuset. Det vil skade slangen og tilkoblingsdelene og føre til kortslutning eller funksjonsfeil.
15. Ikke plasser tunge gjenstander på slangen eller la kjøretøy kjøre over den.
16. Slipp alltid ut resttrykket i apparatet før du kobler fra slangen.
17. Når du kobler slangen til vannforsyningen, må du ta hensyn til anvisningene fra det lokale vannverket.
18. Hvis du mister eller slår trykkspyleren mot en hard gjenstand, må du kontrollere den med tanke på skade og sprekker. Hvis du bruker trykkspyleren når den er skadet, kan det føre til røyk, brann eller elektrisk støt, som igjen kan føre til personskade.
19. Unngå utilsiktet start. Pass på at bryteren er i av-stilling før du kobler til batteripakken, og før du tar det opp eller begynner å bære apparatet. Hvis du bærer apparatet med fingeren på bryteren eller kobler strøm til maskinen med bryteren i på-stillingen, kan det lett oppstå ulykker.
20. Før du foretar eventuelle justeringer, skifter tilbehør eller setter utstyret bort til oppbevaring, må du ta batteripakken ut av apparatet. Slike forebyggende sikkerhetstiltak reduserer faren for at apparatet starter utilsiktet.
21. Ikke modifier eller forsøk å reparere apparatet eller batteripakken, med unntak av det som er angitt i instruksjonene for bruk og stell.
22. **ADVARSEL – Risiko for innsprøytning eller skade – Ikke rett utløpsstrømmen mot noen personer.**
23. Forviss deg om at gjenstanden eller området som skal rengjøres, er vannbestandig. Ellers kan gjenstanden eller området bli skadet og føre til personskade.

#### Bruk og vedlikehold av batteridrevne maskiner

1. **Batteriet må kun lades opp igjen med en lader spesifisert av produsenten.** En lader som passer til én batteritype, kan være brannfarlig når den brukes med en annen batteritype.
2. **Bruk elektroverktøy kun med spesifikt angitte batterier.** Hvis det brukes et hvilket som helst annet batteri, kan dette utgjøre en fare for helse-skader og brann.
3. **Når batteriet ikke er i bruk, må du holde verktøyet unna metallgjenstander som f.eks. binders, mynter, nøkler, spiker, skruer og**

andre små metallgjenstander som kan skape forbindelse mellom de to polene. Hvis batteripolene kortsluttes, kan du få brannskår, eller det kan begynne å brenne.

4. **Hvis batteriet utsettes for hardhendt bruk, kan det lekke væske fra batteriet. Unngå kontakt med væsken. Hvis du kommer i kontakt med batterivæsken, må du skylle med vann. Hvis du får batterivæske i øynene, må du i tillegg oppsøke lege.** Væske som kommer ut av batteriet, kan forårsake irritasjon eller forbrønninger.
5. **Ikke bruk et batteri eller verktøy som er skadet eller endret på.** Batterier som er skadet eller endret på kan oppføre seg upålitelig og medføre brann, eksplosjon eller fare for personskader.
6. **Et batteri eller verktøy må ikke utsettes for brann eller for høy temperatur.** Brann eller en temperatur over 130 °C kan forårsake eksplosjon.
7. **Følg alle ladeinstruksjoner, og ikke lad batteriet eller verktøyet utenfor temperaturområdet som er angitt i instruksjonene.** Feil lading eller ved temperaturer utenfor det angitte området, kan skadet batteriet og øke faren for brann.

#### Service

1. **Følg vedlikeholdsanvisningene som er angitt i bruksanvisningen.**
2. **Bruk kun originale reservedeler fra produsenten eller som er godkjent av produsenten, for å bevare apparatets sikkerhet.**
3. **La en kvalifisert reparatør utføre service på trykkspyleren, og se til at vedkommende kun bruker originale reservedeler.** Dette vil opprettholde sikkerheten til trykkspyleren.
4. **Hvis det oppstår en defekt eller funksjonsfeil på trykkspyleren, må du slå den av umiddelbart og ta ut batteriet/batteriene. Ta kontakt med den lokale forhandleren eller serviceverkstedet.**

#### Flere sikkerhetsadvarsler

1. **Ikke bruk maskinen når det er en fare for lynnedslag.**
2. **Når du bruker verktøyet på gjørmete underlag, i våte bakker eller på glatte steder, må du passe på at du ikke mister fotfestet.**
3. **Unngå å arbeide under dårlige forhold som kan føre til utslitthet.**
4. **Ikke skift ut batteriet når det regner.**
5. **Ikke senk Verktøy ned i en vann.**
6. **Ved oppbevaring av verktøyet må du unngå direkte sollys og regn, og den skal oppbevares på et sted som ikke blir varmt eller fuktig.**
7. **Før du setter bort verktøyet etter bruk, må du fjerne all skitt som har satt seg fast og tørke maskinen godt.** Avhengig av sesong eller område er det fare for funksjonssvikt på grunn av frost.
8. **Ikke la batteriklemmen komme i kontakt med væske som f.eks. vann, og batteriet må heller ikke senkes ned i vann. Ikke la batteriet stå ute i regnet, og du må heller ikke lade, bruke eller oppbevare batteriet på et fuktig eller vått sted.** Hvis klemmen blir våt, eller hvis væske trenger inn i batteriet, kan batteriet kortslutte, og det er fare for overoppheting, brann eller eksplosjon.

9. Når du har tatt batteriinnsetsen ut av verktøyet eller laderen, må du feste batteridekselet på batteriet og oppbevare det på et tørt sted.
10. Ikke skift ut batteriet med våte hender.
11. Hvis apparatet er frosset på grunn av kaldt vær, må du ta kontakt med et autorisert serviceverksted for reparasjon.
12. Ikke bruk strømforsyning med ledning, f.eks. batteriadapter eller bærbar lader, med dette verktøyet. Denne strømforsyningens kabel kan komme i veien under bruk og føre til personskaade.
9. Ikke bruk batterier som er skadet.
10. Lithium-ion-batteriene som medfølger er gjenstand for krav om spesialavfall. For kommersiell transport, f.eks. av tredjeparter eller speditorer, må spesielle krav om pakking og merking følges. Før varen blir sendt, må du forhøre deg med en ekspert på farlig materiale. Ta også hensyn til muligheten for mer detaljerte nasjonale bestemmelser. Bruk teip eller maskeringsteip for å skjule åpne kontakter og pakk inn batteriet på en slik måte at den ikke kan bevege seg rundt i emballasjen.

## TA VARE PÅ DISSE INSTRUKSENE.

**⚠ ADVARSEL:** IKKE LA hensynet til hva som er "behagelig" eller det faktum at du kjenner produktet godt (etter mange gangers bruk) gjøre deg mindre oppmerksom på sikkerhetsreglene for bruken av det aktuelle produktet.

Ved MISBRUK eller hvis ikke sikkerhetsreglene i denne bruksanvisningen følges, kan det oppstå alvorlig personskaade.

### Viktige sikkerhetsanvisninger for batteriinnsets

1. Før du begynner å bruke batteriet, må du lese alle anvisninger og forsiktighetsregler på (1) batteriladeren, (2) batteriet og (3) det produktet batteriet skal brukes i.
2. Ikke demonter eller tukle batteriet. Det kan føre til brann, overoppheting eller eksplosjon.
3. Hvis driftstiden er blitt vesentlig kortere, må du omgående slutte å bruke maskinen. Hvis ikke kan resultatet bli overoppheting, mulige forbrenninger eller til og med en eksplosjon.
4. Hvis du får elektrolytt i øynene, må du skylle dem med store mengder rennende vann og oppsøke lege med én gang. Denne typen uhell kan føre til varig blindhet.
5. Ikke kortslett batteriet:
  - (1) De kan være ekstremt varme og du kan brenne deg.
  - (2) Ikke lagre batteriet i samme beholder som andre metallgjenstander, som for eksempel spiker, mynter osv.
  - (3) Ikke la batteriet komme i kontakt med vann eller regn.

En kortslutning av batteriet kan føre til et kraftig strømstøt, overoppvarming, mulige forbrenninger og til og med til at batteriet går i stykker.
6. Ikke oppbevar og bruk verktøyet og batteriet på steder hvor temperaturen kan komme opp i eller overskride 50 °C.
7. Ikke sett fyr på batteriet, ikke engang om det er sterkt skadet eller helt utslitt. Batteriet kan eksplodere hvis det begynner å brenne.
8. Du må ikke spikre, skjære, klemme, kaste eller miste batteriet, og heller ikke slå en hard gjenstand mot batteriet. En slik oppførsel kan føre til brann, overoppheting eller eksplosjon.

11. Når du kasserer batteriinnsetsen, må du ta den ut av verktøyet og avhende den på et sikkert sted. Følg lokale bestemmelser for avhending av batterier.
12. Bruk batteriene kun med produkter spesifisert av Makita. Montere batteriene i produkter som ikke er konforme kan føre til brann, overheting eller elektrolytlekkasje.
13. Hvis verktøyet ikke skal brukes over en lengre periode, må batteriet tas ut av verktøyet.
14. Under og etter bruk kan batteriet bli varmt og før til brannskader. Vær forsiktig med håndteringen av varme batterier.
15. Ikke berører terminalen på verktøyet rett etter bruk, da den kan bli varm og forårsake brannskader.
16. Ikke la spon, støv eller jord sette seg fast i terminalene, hullene og sporene i batteriet. Det kan føre til at batteriet eller verktøyet blir overopphetet, begynner å brenne, sprekker eller ikke fungerer som det skal, og forårsake brannskader eller personskaade.
17. Med mindre verktøyet støtter bruk nær en høyspent strømlinje, skal ikke batteriet brukes nær en høyspent strømlinje. Det kan føre til en funksjonsfeil eller at verktøyet eller batteriet slutter å fungere.
18. Oppbevar batteriet utilgjengelig for barn.

## TA VARE PÅ DISSE INSTRUKSENE.

**⚠ FORSIKTIG:** Bruk kun originale Makita-batterier. Bruk av batterier som har endret seg, eller som ikke er originale Makita-batterier, kan føre til at batteriet sprekker og forårsaker brann, personskaader og andre skader. Det vil også ugyldiggjøre garantien for Makita-verktøyet og -laderen.

## Tips for å opprettholde maksimal batterilevetid

1. Lad batteriinnsetsen før den er helt utladet. Stopp alltid driften av verktøyet og lad batteriinnsetsen når du merker at effekten reduseres.
2. Lad aldri en batteriinnsets som er fulladet. Overopplading forkorter batteriets levetid.
3. Lad batteriet i romtemperatur ved 10 °C - 40 °C. Et varmt batteri må kjøles ned før lading.
4. Når batteriet ikke er bruk, skal det tas ut av verktøyet eller laderen.
5. Lad batteriet hvis det ikke har vært brukt på en lang stund (over seks måneder).

# FUNKSJONSBE- SKRIVELSE

**⚠FORSIKTIG:** Forviss deg alltid om at maskinen er slått av og batteriet tatt ut før du justerer maskinen eller kontrollerer dens mekaniske funksjoner.

## Sette inn eller ta ut batteri

**⚠FORSIKTIG:** Slå alltid av verktøyet før du setter inn eller fjerner batteriet.

**⚠FORSIKTIG:** Hold verktøyet og batteripatronen i et fast grep når du monterer eller fjerner batteripatronen. Hvis du ikke holder verktøyet og batteripatronen godt fast, kan du miste grepet, og dette kan føre til skader på verktøyet og batteripatronen samt personskafer.

**⚠FORSIKTIG:** Pass på at du ikke får fingrene i klem når du åpner eller lukker batteridekselet.

Åpne dekselet mens du holder inne låsespaken.

► Fig.1: 1. Deksel 2. Sperrespak

Plasser fjæren på batteriet på linje med sporet i huset, og skyv batteriet på plass. Skyv det helt inn til det går i lås med et lite klikk. Hvis du kan se den røde indikatoren som vist i figuren, er det ikke helt låst.

► Fig.2: 1. Rød indikator 2. Knapp 3. Batteriinnsetts

Når du har satt i eller tatt ut batteriene, må du lukke dekselet.

For å ta ut batteriet, åpner du dekselet, skyver batteriet bort fra verktøyet mens du holder nede knappen foran, og deretter lukker dekselet.

**⚠FORSIKTIG:** Batteriet må alltid settes helt inn, så langt at den røde indikatoren ikke lenger er synlig. Hvis dette ikke gjøres, kan batteriet falle ut av verktøyet og skade deg eller andre som oppholder seg i nærheten.

**⚠FORSIKTIG:** Ikke bruk makt når du setter i batteriet. Hvis batteriet ikke glir helt inn, er det fordi det ikke settes inn på riktig måte.

**⚠FORSIKTIG:** Pass på å sperre dekselet før du bruker maskinen.

## Batterivernssystem for verktøy/batteri

Verktøyet er utstyrt med et beskyttelsessystem for verktøy/batteri. Dette systemet slår automatisk av strømmen til motoren for å forlenge verktøyets og batteriets levetid. Verktøyet stopper automatisk hvis det eller batteriet utsettes for en av følgende tilstander:

► Fig.3: 1. Indikator

## Overlastsikring

Når verktøyet eller batteriet brukes på en måte som gjør at det bruker unormalt mye strøm, stanser verktøyet automatisk og den røde indikatoren lyser. I denne situasjonen må du slå av verktøyet og stanse bruken som forårsaket at verktøyet ble overbelastet. Slå deretter verktøyet på for å starte det igjen.

## Overopphetingsvern

Når verktøyet eller batteriet er overopphetet, stanser verktøyet automatisk og den røde indikatoren lyser. I denne situasjonen må du la verktøyet kjøle seg ned før du slår det på igjen.

## Overutladingsvern

Når det blir lav batterikapasitet, blinker den røde indikatoren. Når batteriet er nær utladet, stanser verktøyet automatisk og den røde indikatoren lyser. I dette tilfellet må du ta batteriet ut av verktøyet og lade det.

## Vern mot andre årsaker

Vernesystemet er også laget for beskyttelse av andre grunner som kan skade verktøyet og gjøre at det stanser automatisk. Ta alle de følgende forholdsreglene for å fjerne årsakene til at verktøyet har stanset midlertidig mens det er i drift.

1. Skru av verktøyet og sår skruer du verktøyet på igjen for å starte på nytt.
2. Lad opp batteriet/batteriene eller skift det/dem ut med oppladde batteri(er).
3. La både verktøyet og batteriet/ene kjøle seg ned.

Hvis det ikke blir noen bedring ved å gjenopprette vernesystemet, ta kontakt med det lokale Makita servicesenteret.

**OBS:** Hvis verktøyet stopper på en årsak som ikke er beskrevet ovenfor, kan du se avsnittet om feilsøking.

## Indikere gjenværende batterikapasitet

### Kun for batterier med indikatoren

Trykk på sjekk-knappen på batteriet for vise gjenværende batterikapasitet. Indikatorlampene lyser i et par sekunder.

► Fig.4: 1. Indikatorlamper 2. Kontrollknapp

| Indikatorlamper |    |         | Gjenværende batterinivå   |
|-----------------|----|---------|---------------------------|
| Tent            | Av | Blinker |                           |
|                 |    |         | 75 % til 100 %            |
|                 |    |         | 50 % til 75 %             |
|                 |    |         | 25 % til 50 %             |
|                 |    |         | 0 % til 25 %              |
|                 |    |         | Lad batteriet.            |
|                 |    |         | Batteriet kan ha en feil. |

**MERK:** Det angitte nivået kan avvike noe fra den faktiske kapasiteten alt etter bruksforholdene og den omgivende temperaturen.

**MERK:** Den første (helt til venstre) indikatorlampen vil blinke når batterivernsystemet fungerer.

## Trykkmodusbryter

Velg ønsket trykkmodus ved å skyve bryterspaken forover og bakover.  
Trekk spaken bakover for lavtrykkmodus så du ser tallet "1" på bryteren.

Skyv spaken forover for høytrykkmodus så du ser tallet "2" på bryteren.

► **Fig.5:** 1. Lav trykkmodus (1) 2. Høy trykkmodus (2)  
3. Bryterspak for trykkmodus

## Startbryter

Trykkspyleeren har en sikkerhetssperre på bryteren. Utløersperren åpnes ved å trykke sperreknappen ned i bryteren slik at overflaten på bryteren blir flat.

Trykk på startbryteren for å sprøyte ut en vannstråle. Strålen fortsetter å strømme ut så lenge du holder bryteren inne.

► **Fig.6:** 1. Startbryter 2. Sperreknapp

Skyv sperreknappen tilbake ut fra innsiden av bryteren for å aktivere utløersperren.

Pass på å låse bryteren når trykkspyleeren ikke er i bruk.  
► **Fig.7:** 1. Startbryter 2. Sperreknapp

## Munnstykkefunksjoner

Munnstykket med flere mønstre (5-i-1) har en rekke ulike spraymønstre du kan velge etter behov. Kombinasjonen av fem av de mest brukte spraymønstrene i ett munnstykke gjør at du ikke trenger å bytte munnstykker, men ganske enkelt stille inn riktig spraymønster til oppgaven.

**Enkel veksling av munnstykker, 0°, 15°, 25°, 40° og dusj**

► **Fig.8**

► **Fig.9:** 1. Spraymønstersymbol 2. Trekant

Drei hodet på munnstykket til venstre eller høyre for ønsket spraymønsterposisjon. Juster spraymønstersymbolot du vil velge, etter trekantmerket slik at hodet på munnstykket låses på plass med et klikk.

► **Fig.10**

**OBS:** Vær forsiktig så du ikke stiller inn munnstykkehodet i en ulåst posisjon. Da kan verktøyet danne ujevne spraymønstre som fører til vannlekkasjer.

**⚠FORSIKTIG:** Prøv å ikke dreie hoveddelen på munnstykket samtidig som du endrer spraymønstre. Munnstykket kan løsne fra hoveddelen på verktøyet og føre til personskader.

## Sikkerhetsventil

Verktøyet er utstyrt med en sikkerhetsventil som hindrer overtrykk.

**⚠FORSIKTIG:** Ikke tukle med eller juster sikkerhetsventilinnstillingen.

## MONTERING

**⚠FORSIKTIG:** Forviss deg alltid om at maskinen er slått av og batteriet tatt ut før du utfører noe arbeid på maskinen.

## Montere munnstykke og rørforlenger

**⚠FORSIKTIG:** Lås alltid startbryteren når du setter på / tar av et munnstykke og en forlengelse.

### Munnstykke

Rett inn føringsfremspringene på munnstykkeenden i forhold til låsesporene i verktøyhuset. Skyv munnstykket helt inn inntil de to trekantmerkene på munnstykket og huset peker mot hverandre. Drei deretter munnstykket i retningen som vist på figuren for å aktivere låsen. Når du har montert munnstykket, prøv å trekke det tilbake for å kontrollere at det sitter fast.

► **Fig.11:** 1. Munnstykke 2. Føringsfremspring  
3. Låsespor 4. Trekantmerke  
5. Bekkenfinne-lignende kontur

**MERK:** Pass på å dreie en bekkenfinne-lignende kontur slik at den vender nedover.

Ta av munnstykket ved å presse og holde det mot verktøyhuset, og deretter dreie det mot klokken inntil de to trekantmerkene peker mot hverandre. Trekk munnstykket av verktøyhuset etter at det er låst opp.

### Rørforlenger

Spyle vanskelig tilgjengelige steder. Monter rørforlengeren mellom verktøyhuset og munnstykket ved å følge de samme trinnene som beskrevet for montering av munnstykket.

► **Fig.12:** 1. Rørforlenger 2. Verktøyhus  
3. Munnstykke 4. Føringsfremspring  
5. Låsespor 6. Trekantmerke

Du tar av tilbehøret ved å presse og holde spisstilbehøret mot festetilbehøret/huset, og deretter dreier mot klokken inntil de to trekantmerkene peker mot hverandre. Trekk spisstilbehøret av festetilbehøret/huset etter at det er låst opp.

## Koble til vanntilførsel fra tank

**OBS:** Bruk alltid trykkslangen og silen som følger med verktøyet, til vanntilførsel.

**OBS:** Sørg alltid for at det er en høyde på 2,0 m eller mindre mellom innløpet på trykkspyleeren og vannflaten. Ellers klarer ikke trykkspyleeren å trekke vannet opp i pumpen.

**OBS:** Pass på å fylle en vannbeholder med mer enn 25 mm vann i bunnen, og senk silen fullstendig ned i vannet.

Vann kan tilføres fra tank/beholder/reservoar av en hvilken som helst størrelse.

Vanntilførsel fra tank er nyttig i situasjoner som f.eks. bilvask og hagevanning, der vann ikke er tilgjengelig og må transporteres til vaske- eller vanningområdet.

1. Monter silen i ene enden av trykkslangen.

Sett silutløpet inn i koplingsmuffen og trykk det gjennom til silen sitter godt på plass.

► **Fig.13:** 1. Sil 2. Koplingsmuffe 3. Trykkslange

2. La filteret være på bunnen av vannbeholderen.

► **Fig.14:** 1. Sil 2. Trykkslange 3. Slangekrok

**MERK:** Heng slangen langs åpningen ved bruk av den medfølgende slangekroken, slik at silen fortsatt sitter på bunnen av beholderen.

3. Fest den andre enden av slangen til vannslangetilkoblingen på trykkspyleeren.

Sett koplingsmuffen over innløpet på tilkoblingen og skyv den gjennom inntil den sitter godt på plass.

► **Fig.15:** 1. Koplingsmuffe 2. Vannslangetilkobling

**⚠FORSIKTIG:** Kontroller at høytrykkslangen sitter helt fast. En løs tilkoblingen kan føre til at høytrykkslangen løsner og forårsaker personskader.

**OBS:** Før vannet inn i trykkspyleeren og slangen på forhånd når du skal løfte vannet fra en viss dybde i høytrykksmodus.

## Koble til vannetilførselen

**⚠FORSIKTIG:** Bruk alltid trykkslangen som følger med verktøyet, til vanntilførsel.

**OBS:** Hvis du kobler til hovedrøret for drikkevann, må du bruke en sikkerhetsventil for tilbakestrømning som oppfyller de lokale forskriftene.

**OBS:** Oppretthold et matetrykk på innløpsvannet på mindre enn 0,5 MPa for finmating. Ikke overstig det maksimale matetrykket, da det kan føre til vannlekkasjer når verktøyet stanser arbeidet.

Vann kan tilføres fra vannettet som er tilgjengelig på vaskestedet.

En kontinuerlig vanntilførsel gjør at du ikke trenger å fylle på vann, og kan vaske og vanne mer effektivt, som ved punktrensjøring, skylling og vanning på store områder med plen eller vegetasjon.

1. Koble trykkslangen til vannkranen.

Sett på en egnet forbindelsesdel, for eksempel en vannkranovergang, for å feste enden av slangen til vannkranen.

► **Fig.16:** 1. Vannkranovergang 2. Koplingsshylster 3. Trykkslange

**MERK:** Typen forbindelsesdel avhenger av formen på vannkranen du kobler til. Klargjør en vanlig tilgjengelig forbindelsesdel.

2. Fest den andre enden av slangen til vannslangetilkoblingen på trykkspyleeren.

Sett koplingsmuffen over innløpet på tilkoblingen og skyv den gjennom inntil den sitter godt på plass.

► **Fig.17:** 1. Koplingsshylster 2. Vannslangetilkobling

## Montere skummunnstykke

### Valgfritt tilbehør

**⚠FORSIKTIG:** Lås alltid startbryteren når du setter på / tar av valgfrie tilbehør.

**OBS:** Bruk kun nøytrale vaskemidler. Ikke bruk husholdningsvaskemidler, syreholdige eller alkaliske rengjøringsmidler, blekemidler, løsemidler, antennbare materialer eller løsninger av industriell styrke, noe som kan føre til materielle skader eller skader på verktøyet. Klargjør rengjøringsløsningen som anviset på flasken, og test den alltid på et lite synlig sted først.

**OBS:** Hvis det brukes et svært viskøst vaskemiddel, vil munnstykket sannsynligvis tilstoppes. Hvis du bruker et svært viskøst vaskemiddel, må du fortynde vaskemidlet ved å tilsette vann i flasken før bruk.

**MERK:** Når du bruker skummunnstykket, blir rengjøringsmiddelet i flasken uttynnet med vannet fra verktøyet når det sprøytes. Du trenger ikke å uttynne vaskemiddelkonsentrasjonen i flasken mer enn nødvendig. Juster vaskemiddelkonsentrasjonen mens du kontrollerer bruksforholdene.

**MERK:** Hvis skummunnstykket vipres til siden, kan vaskemidlet søles ut.

Klargjør et vaskemiddel før du bruker skummunnstykket.

1. Fyll tanken med vaskemiddel. Fest munnstykket på tanken og lukk lokket godt.

2. Vipp skummunnstykket for å rette inn føringsfremspringene i forhold til låsesporene i verktøyhuset. Skyv munnstykket helt inn og hold det på plass. Drei deretter skummunnstykket i retningen som vist i figuren for å aktivere låsen.

► **Fig.18:** 1. Skummunnstykke 2. Tank 3. Føringsfremspring 4. Låsespor

Når du har montert munnstykket, prøv å trekke det tilbake for å kontrollere at det sitter fast.

3. Drei innstillingshjulet for vaskemiddel for å justere sugevolumet for vaskemiddelløsningen.

► **Fig.19:** 1. Innstillingshjul for vaskemiddel 2. Drei til minimum 3. Drei til maksimum

## Montere alternative munnstykker

### Valgfritt tilbehør

**⚠FORSIKTIG:** Lås alltid startbryteren når du setter på / tar av valgfrie tilbehør.

Rettt inn føringsfremspringene på et alternativt munnstykke i forhold til låsesporene i verktøyhuset. Skyv munnstykket helt inn og hold det på plass. Drei deretter munnstykket i retningen som vist på figuren for å aktivere låsen.

Når du har montert munnstykket, prøv å trekke det tilbake for å kontrollere at det sitter fast.

► **Fig.20:** 1. Munnstykker 2. Føringsfremspring 3. Låsespor

Du tar av munnstykket ved å presse og holde munnstykket mot verktøyhuset, og deretter dreie det mot klokken for å åpne låsen. Trekk munnstykket av trykkspyleren etter at det er låst opp.

## Montere plastflaskeadapter

### Valgfritt tilbehør

**⚠FORSIKTIG:** Lås alltid startbryteren når du setter på / tar av valgfrie tilbehør.

**⚠FORSIKTIG:** Pass på å feste plastflaskeadapteren godt til trykkspyleren og plastflasken. Hvis dette ikke gjøres, kan flasken falle av og føre til personskaade.

**MERK:** Det kan være best å bruke en 2-liters (en halv gallon) plastflaske til vann.

1. Fyll vann i en plastflaske.
2. Slipp sugerøret ned i flaskeåpningen.
3. Fest adapteren til flasken ved å skru på mutteren til koplingsmuffen.
4. Fest plastflaskeadapteren til vannslangetilkoblingen på trykkspyleren.

Sett koplingsmuffen over innløpet på tilkoblingen og skyv den gjennom inntil den sitter godt på plass.

► **Fig.21:** 1. Plastflaskeadapter 2. Sugørør 3. Plastflaske 4. Vannslangetilkobling

## BRUK

**⚠ADVARSEL:** Ikke berør vannstrålen eller rett den mot deg selv eller andre. Vannstrålen er farlig og kan skade deg eller andre.

**⚠ADVARSEL:** Når bruker vannstrålen, må du aldri holde gjenstanden som du skal rengjøre eller plassere hendene eller føttene nær vannstrålen.

**⚠FORSIKTIG:** Ikke bruk trykkspyleren uten vann i mer enn 1 minutt.

**⚠FORSIKTIG:** Ikke bruk trykkspyleren i lange perioder. Det kan føre til overoppheting eller brann. Langvarig bruk kan dessuten føre til vibrasjonsskader.

**⚠FORSIKTIG:** Vær oppmerksom på vindretningen. Hvis du får vaskemiddel i øynene eller munnen, må du umiddelbart skylle med rent vant og oppsøke lege ved behov.

**OBS:** For å beskytte trykkspylerens mekanisme, må du aldri bruke vann som er varmere enn 40 °C (104°F).

**OBS:** Ikke bruk en ubehandlet vannforsyning som elvevann, vann fra innsjø eller vann med sand eller slam. Ufiltrert skittent vann kan føre til deponering av uønsket materiale i pumpen, noe som fører til funksjonsfeil.

### Vannløftehøyde

En vertikal høyde fra vannkilden til vannsugeinnløpet på trykkspyleren må være innenfor 2,0 m.

### Vanndybde

Fyll en beholder med mer enn 25 mm vann fra bunnen.

► **Fig.22:** 1. Vannløftehøyde 2. Vanndybde

### Trinn for grunnleggende bruk

1. Koble innløpet for vannslangen til vanntilførselen.
  2. Koble utløpet fra vannslangen til trykkspyleren.
- **Fig.23**

3. Hvis det gjenværende vannet i trykkspyleren er blitt tømt ut siden den ble brukt, må du tilføre vann i trykkslangen og trykkspyleren.

La det renne vann gjennom slangen og spylere inntil all luften i dem er ute.

- (1) Ta munnstykket av trykkspyleren.
- (2) Sett batteriet inn i trykkspyleren.
- (3) Velg høytrykkmodus.
- (4) Lås opp startbryteren.
- (5) Trykk og hold inne startbryteren til trykkspyleren lager en stabil vannstråle.

► **Fig.24:** 1. Bryterspak for trykkmodus

Etter at luftlommene er sluppet ut av trykkspyleren og slangen, slipper du startbryteren.

Ta ut batteriet fra trykkspyleren og sett på det munnstykket som passer til ditt bruk.

4. Åpne dekselet og sett batteriet inn i trykkspyleren, og lås deretter dekselet.

► **Fig.25:** 1. Batteri 2. Deksel

**⚠FORSIKTIG:** Pass på at du ikke får fingrene i klem når du åpner eller lukker batteridekselet.

5. Velg ønsket trykkmodus. Lås deretter opp startbryteren.

► **Fig.26:** 1. Bryterspak for trykkmodus 2. Startbryter 3. Sperreknapp

6. Vend munnstykkehodet mot vanningsområdet. Klem inn startbryteren.

Vannstrålen fortsetter å strømme ut så lenge du holder bryteren inne.

► Fig.27

► Fig.28

**⚠FORSIKTIG:** Ha godt tak i trykkspyle-  
ren. Verktøyet vil gi tilbakeslag når du trykker på  
startbryteren.

**⚠FORSIKTIG:** Hold alltid trykkspyleren i hånd-  
taket og løpet når du sprøyter ut en vannstråle.

## Etter bruk

**⚠FORSIKTIG:** Etter bruk av trykkspyleren må  
du alltid utføre prosedyren som er beskrevet i  
bruksanvisningen. Resttrykk i trykkspyleren kan  
forårsake personskader eller skade den innvendige  
pumpen.

1. Slipp startbryteren og lås den med  
sperreknappen.
2. Koble vannslangen fra vanntilførselen.  
► Fig.29
3. Lås opp startbryteren og hold den inne til resten  
av vannet i trykkspyleren og slangen er tømt ut.  
► Fig.30

**OBS:** Ikke la motoren gå i mer enn 1 minutt.

4. Slipp startbryteren og lås den med sperreknap-  
pen. Ta deretter batteriet ut av trykkspyleren.  
► Fig.31: 1. Sperreknapp 2. Batteri
5. Koble trykkslangen fra trykkspyleren.  
► Fig.32: 1. Kopplingsmuffe 2. Vannslangetilkobling

**OBS:** Fjern resten av vannet fra slangen før opp-  
bevaring slik at du unngår skade på trykkslangen.

## VEDLIKEHOLD

**⚠FORSIKTIG:** Forviss deg alltid om at maski-  
nen er slått av og batteriet tatt ut før du foretar  
inspeksjon eller vedlikehold.

**OBS:** Aldri bruk gasolin, bensin, tynner alkohol  
eller lignende. Det kan føre til misfarging, defor-  
mering eller sprekkdannelse.

For å opprettholde produktets SIKKERHET og  
PÅLITELIGHET, må reparasjoner, vedlikehold og juste-  
ringer utføres av autoriserte Makita servicesentre eller  
fabrikkservicesentre, og det må alltid brukes reservede-  
ler fra Makita.

## Rengjøre munnstykken

Bruk en rengjøringspinne, en liten fingerlignende  
tagg, for å fjerne smuss som har satt seg fast i  
munnstykkeåpningene.

► Fig.33: 1. Rengjøringspinne 2. Munnstykke

**MERK:** Rengjør munnstykket regelmessig slik at du  
oppnår optimal ytelse.

**OBS:** Ikke fjern smuss eller rester med makt. Det  
kan føre til personskader eller skade utskyttingsmun-  
ningen og forårsake skjeve stråler eller dårlig ytelse.

## Rengjøre filterene

Koble vannslangetilkoblingen fra trykkspyleren. Fjern  
støv eller smuss som har festet seg på filteret.

► Fig.34: 1. Vannslangetilkobling 2. Filter  
3. Tetningsring

Ta filteret fra hverandre ved å skru ut filterhuset. Fjern  
støv eller smuss som har festet seg på filteret.

► Fig.35: 1. Filter 2. Filterhus

**MERK:** Rengjør filteret regelmessig slik at du oppnår  
optimal ytelse.

## FEILSØKING

Inspiser utstyret selv før du bestiller reparasjon. Ikke prøv å demontere verktøyet hvis du finner et problem som ikke  
er forklart i brukerveiledningen. I stedet bør du ta kontakt med et av Makitas autoriserte servicesentre, som alltid  
bruker reservedeler fra Makita til reparasjoner.

| Unormal tilstand               | Sannsynlig årsak (feil)         | Løsning   |
|--------------------------------|---------------------------------|---|
| Høytrykkspyleren starter ikke. | Ingen strøm                     | Sett inn et oppladet batteri.                         |
|                                | Startbryteren er låst.          | Lås opp startbryteren.                                |
|                                | Skadet batteri eller strømkrets | Kontakt et autorisert serviceverksted for reparasjon. |

| Unormal tilstand                 | Sannsynlig årsak (feil)                        | Løsning   |
|----------------------------------|--|---|
| Ingen vannstråle/svak vannstråle | Ingen vanntilførsel                            | Kontroller at vannkranen er åpen. Hvis vannforsyningen er tilkoblet fra tank, fører du vann inn i trykkspyleren og slangen. |
|                                  | Dårlig vanntilførsel                           | Slå på vannkranen.  |
|                                  | Dårlig vannslangetilkobling                    | Kontroller tilkoblingen mellom trykkspyleren og vanntilførselen.  |
|                                  | Deformert eller slitt vannslange               | Rett ut slangen. Bytt ut den skadde vannslangen med en ny.  |
|                                  | Tilstoppet slange eller munnstykke             | Stak opp slangen eller munnstykket.   |
|                                  | Tilstoppede filtre                             | Fjern støv eller smuss som har festet seg til filtrene i silen og vannslangetilkoblingen.                                   |
|                                  | Avløpsvann / kontaminert vann                  | Rengjør vannsystemet og fyll på rent vann.  |
|                                  | Skadet eller utslitt munnstykke                | Skift ut munnstykket.   |
|                                  | Feil på pumpe eller ventil                     | Kontakt et autorisert serviceverksted for reparasjon.   |
|                                  | Løst vannledd                                  | Fest tilkoblingen mellom vannslangen og koplingsmuffene.  |
|                                  | Lekkasjer fra tilkoblingen til vanntilførselen | Stram tilkoblingen mellom vannslangen og vanntilførselen.   |
|                                  | Feil installert sil                            | Senk silen helt ned i vannet.   |
|                                  | Lavtrykkmodus er i bruk                        | Velg høytrykkmodus.   |
| Ustabil vannstråle               | Tilstoppet dyse                                | Stak opp utskytingsmunningen på munnstykket med rengjøringspinnen.  |
|                                  | Dårlig vanninntak                              | Kontroller vannslangen med henblikk på lekkasje eller tilstopping.  |
|                                  | Vannet er for varmt.                           | Tilfør kaldere vann.  |
|                                  | Ventilfeil                                     | Kontakt et autorisert serviceverksted for reparasjon.   |
| Uvanlig lyd                      | Vannet er for varmt.                           | Tilfør kaldere vann.  |
| Vannlekkasje                     | Dårlig tilkobling                              | Kontroller tilkoblingen mellom trykkspyleren og vanntilførselen.  |
|                                  | Dårlig munnstykkemontering                     | Skyv munnstykket helt inn. Drei deretter munnstykket til det er godt låst på plass.   |
|                                  | Munnstykkehodet er i feil posisjon             | Sett munnstykket i en klikket posisjon med spraymønstersymbolet klart synlig.   |
|                                  | Utslitte tetninger                             | Kontakt et autorisert serviceverksted for reparasjon.   |

## VALGFRITT TILBEHØR

**⚠️FORSIKTIG:** Det anbefales at du bruker dette tilbehøret eller verktøyet sammen med den Makita-maskinen som er spesifisert i denne håndboken. Bruk av annet tilbehør eller verktøy kan forårsake personskader. Tilbehør og verktøy må kun brukes til det formålet det er beregnet på.

Ta kontakt med ditt lokale Makita-servicesenter hvis du trenger mer informasjon om dette tilbehøret.

**MERK:** Enkelte elementer i listen kan være inkludert som standardtilbehør i verktøypakken. Elementene kan variere fra land til land.

## Skummunnstykke

► Fig.36

Vaskemiddel kan sprøytes som skum.

## Vaskeborste

► Fig.37

Et munnstykke utstyrt med en børste. Praktisk for vaskning av smuss samtidig som du skrubber med børsten.

## Vinkelmunnstykke

► Fig.38

Et vinkelmunnstykke kan roteres 360 grader og gjøre det mulig med manøvrering og dekning uten dødvingler.

## Plastflaskeadapter

► Fig.39

Pump vann fra flaske, og trekk det lett ut fra en plastflaske. En vannflaske kan fungere som vannkilde.



## VAROITUS

- Lapset eivät saa käyttää laitetta. Lapsia tulee valvoa ja varmistaa, etteivät he pääse leikkimään laitteella.
- Tämä laite ei ole tarkoitettu sellaisten henkilöiden (lapset mukaan lukien) käytettäväksi, joiden fyysiset, sensoriset tai henkiset kyvyt tai kokemuksen tai tiedon puute estävät heitä käyttämästä laitetta turvallisesti, ellei heidän turvallisuudestaan vastaava henkilö valvo heitä tai opasta heitä laitteen käytössä.
- Painesuihkua ei saa suunnata suoraan henkilöihin, jännitteisiin sähkölaitteisiin tai itse laitteeseen.
- Varmista aina ennen työkalulle tehtäviä toimia, että laite on sammutettu ja akkupaketti on irrotettu.
- Älä käytä laitetta, jos sen tärkeät osat, esim. turvalaitteet tai paineletkut, ovat vaurioituneet.
- Tarkista käyttäjän huoltotoimien aikana noudatettavat varotoimet huoltoa käsittelevästä osiosta.
- Selvitä akun lataamisen normaali lämpötila. Katso akkupaketin turvaohjeista tietoja akkujen käsittelyyn liittyvistä varotoimista.
- Tarkista laitteen asennuksen aikana noudatettavat varotoimet kokoonpanoa käsittelevästä osiosta.
- Tarkista suurin veden syöttöpaine. Katso vesijohtoliitännän tiedot teknisiä tietoja käsittelevästä osiosta.
- Käytä aina laitteen mukana toimitettuja letkusarjoja. Katso vesijohtoliitäntää koskevat varotoimet kokoonpanoa käsittelevästä osiosta.
- Veden täyttöaukkoa ei saa avata käytön aikana. Säilytä vedenpaine noudattamalla kokoonpanoa käsittelevän osion ohjeita.
- Älä käytä uima-altaissa, joissa on vettä.
- Huomioi paikallisen vesilaitoksen tai vesiyhtiön vaatimukset.
- Euroopan valtiot:  
EN12729 (BA) mukaisesti, laite voidaan liittää myös vesijohtovesiverkkoon, jos poistohanallinen takaiskuventtiili on asennettuna vedensyöttöletkuun.

# TEKNISET TIEDOT

| Malli:   | DHW180   |             |
|--|--|-------------|
| Suurin virtausnopeus <sup>*1</sup><br>[Säiliöveden syöttö / vesijohtoveden syöttö] | 3,0/5,3 L/min  |             |
| Veden virtausnopeus <sup>*2</sup>  | Korkea tila  | 2,5 L/min   |
|  | Matala tila  | 1,5 L/min   |
| Suurin käyttöpaine   | 2,4 MPa  |             |
| Käyttöpaine <sup>*2</sup>  | Korkea tila<br>[Säiliöveden syöttö /<br>vesijohtoveden syöttö] | 2,0/2,2 MPa |
|  | Matala tila<br>[Säiliöveden syöttö /<br>vesijohtoveden syöttö] | 0,8/0,8 MPa |
| Maksimisyöttöpaine   | 0,5 MPa  |             |
| Maksimisyöttölämpötila   | 40 °C  |             |
| Maksimi-imukorkeus   | 2,0 m  |             |
| Nimellisjännite  | DC 18 V  |             |
| Mitat <sup>*3</sup><br>[P x L x S]   | 888 x 99 x 239 mm  |             |
| Paino  | 2,3–2,7 kg   |             |

\*1: Ilman suutinta

\*2: Suihkukuvio 15°

\*3: 5-in-1-suuttimen ja jatkeen kanssa

- Jatkuvasta tutkimus- ja kehitystyöstämme johtuen esitetyt tekniset tiedot saattavat muuttua ilman erillistä ilmoitusta.
- Tekniset tiedot voivat vaihdella maittain.
- Paino voi olla erilainen lisävarusteista sekä akusta johtuen. EPTA-menettelytavan 01/2014 mukaisesti, taulukossa on kuvattu kevyin ja painavin laiteyhdistelmä.

## Käytettävä akkupaketti ja laturi

|             |   |
|-------------|---|
| Akkupaketti | BL1815N / BL1820B / BL1830B / BL1840B / BL1850B / BL1860B             |
| Laturi      | DC18RC / DC18RD / DC18RE / DC18SD / DC18SE / DC18SF / DC18SH / DC18WC |

- Tiettyjä yläpuolella kuvattuja akkuja ja latureita ei ehkä ole saatavana asuinalueestasi johtuen.

**VAROITUS:** Käytä vain edellä eriteltyjä akkupaketteja ja latureita. Muiden akkupakettien ja laturien käyttäminen voi aiheuttaa loukkaantumisen ja/tai tulipalon.

**VAROITUS:** Älä käytä koneen kanssa johdollista virtalähdettä, kuten akkusovitinta tai kannettavaa tehoyksikköä. Tällaisen virtalähteen johto voi haitata käyttöä ja aiheuttaa henkilövahingon.

## Symbolit

Laitteessa on mahdollisesti käytetty seuraavia symboleja. Opettele niiden merkitys ennen käyttöä.



Lue käyttöohje.



Noudata erityistä varovaisuutta ja kiinnitä huomiota.



Ni-MH  
Li-ion

Koskee vain EU-maita  
Käytetyillä sähkö- ja elektroniikkalaitteilla, paristoilla ja akuilla voi olla negatiivisia ympäristö- ja terveysvaikutuksia niissä käytettyjen haitallisten osien takia. Älä hävitä sähkö- ja elektroniikkalaitteita tai akkuja kotitalousjätteen mukana! Vanhoja sähkö- ja elektroniikkalaitteita, paristoja ja akkuja koskevan EU-direktiivin ja sen perusteella laadittujen kansallisten lakien mukaan käytetyt sähkö- ja elektroniikkalaitteet, paristot ja akut on kierrätettävä toimittamalla ne erilliseen, ympäristönsuojelusäästösten mukaisesti toimivaan kierrätyspisteeseen. Tämä on ilmaistu laitteessa olevalla ylivedetyn roska-astian symbolilla.

Älä kytke juomavesihanaan.





Älä suuntaa suihkua itseäsi, muita sivullisia henkilöitä, eläimiä ja jännitteellisiä sähkölaitteita kohti.

## Käyttötarkoitus

Tämä työkalu on tarkoitettu lian poistamiseen vesisuihkulla kotitalouskäytössä. Valittavissa olevan suihkutyyppin ansiosta työkalu parantaa pesutulosta sekä nurmikon ja puutarhan kastelua.

## TURVAVAROITUKSET

### TÄRKEITÄ TURVALLISUUSVAROITUKSIA

**VAROITUS:** Lue huolellisesti kaikki turvallisuusvaroitukset ja käyttöohjeet. Jos varoitusten ja ohjeiden noudattaminen laiminlyödään, seurauksena voi olla sähköisku, tulipalo ja/tai vakava vammautuminen.

## Säilytä varoitukset ja ohjeet tulevaa käyttöä varten.

**VAROITUS** – Tätä tuotetta käytettäessä on aina noudatettava muun muassa seuraavia perusvaroitointia:

### Työskentelyalueen turvallisuus

1. Pidä sivulliset kaukana työalueelta.
2. Älä ylikurkottele tai seiso epävakaiden kohteiden päällä. Seiso tukevassa asennossa ja säilytä tasapainosi koko työskentelyn ajan.
3. Aseta korkeapainepesurin runko aina tasaiselle ja tukevalle pinnalle. Vältä paikkoja, joissa suihkutettava vesi valuu tai muodostaa lammikoita.
4. Tarkista ympäristö ja puhdistettavat kohteet ennen laitteen käyttöä. Painesuihkut voivat kaapia maalia tai muita, myrkyllisiä kemikalleja sisältäviä pintakäsittelyjä. Noudata tarvittaessa ennaltaehkäiseviä toimenpiteitä.
5. Varo kompastumista painepesurin letkuun. Huomioi aina letkun sijainti laitteen käytön aikana.
6. Painepesurin alaosasta valuu hieman vettä käytön aikana. Älä käytä työkalua sellaisten alueiden yläpuolella, joiden et halua kastuvan.

### Henkilöturvallisuus

1. Suojaa itsesi vesisuihkua ja lentäviä kohteita vastaan käyttämällä tarkoitukseen soveltuvaa vaatetusta, kuten suojakäsineitä, visiirillä varustettua kypärää, kuulosuojaimia jne.
2. Käytä henkilönsuojaimia. Käytä käyttötarkoitukseen mukaan kasvosuojusta, suojalaseja tai sivusuojilla varustettuja lasia, sillä ne voivat pysäyttää eri toimenpiteistä aiheutuvat lentävät roskat.
3. Älä käytä painepesuria ihmisten lähellä, ellei heillä ole suojavaatetusta.

4. Vahinkojen välttämiseksi tarkkaile ympäristöä huolellisesti jos laitetta käytetään lasten läheisyydessä.
5. Jos laite kytketään juomavesiputkistoon, järjestelmä on suojattava takaisinvirtaukselta.
6. Kierrätettävä takaisin virtaava vesi määritetään juotavaksi kelpaamattomaksi.

### Sähköturvallisuus

1. Älä koskaan koske akkupaketteihin märin käsin.
2. Älä käytä laitetta, jos sen tärkeät osat, esim. turvalaitteet tai paineletkut, ovat vaurioituneet.
3. Vältä vaarallisia ympäristöjä. Älä käytä työkalua kosteissa tai märissä paikoissa äläkä altista sitä sateelle. Työkalun sisään pääsyt vesi lisää sähköiskun vaaraa.

### Sähkökäyttöisen laitteen käyttö ja hoito

1. Lue kaikki ohjeet huolellisesti ennen laitteen käyttöä.
2. Opettele, miten painepesuri sammutetaan ja paineet poistetaan nopeasti. Perehdy laitteen säätimiin.
3. Älä suihkuta herkästi syttyviä ja/tai myrkyllisiä nesteitä. Ne voivat aiheuttaa räjähdyksen, myrkytyksen tai laitevaurion.
4. Älä suuntaa suihkua itseäsi tai sivullisia kohti vaatteiden tai jalkineiden puhdistamista varten.
5. Paineletkut, liittimet ja kiinnikkeet ovat tärkeitä tekijöitä laitteen turvallisuuden kannalta. Käytä ainoastaan valmistajan suosittelemia letkuja, liittimiä ja kiinnikkeitä.
6. Noudata lisävarusteiden vaihtamista koskevia ohjeita.
7. Pidä kahvat kuivina ja puhtaina öljystä tai rasvasta.
8. Pysyttele valppaana, tarkkaile tekemisiäsi.
9. Älä käytä laitetta väsyneenä tai alkoholin tai huumeiden (myös huumaavat lääkkeet) vaikutuksen alaisena.
10. Älä käytä painepesuria ilman vettä yli minuutin ajan. Muutoin seurauksena voi olla moottorin vaurioitumisesta johtuva toimintahäiriö.
11. Katkaise aina virta ja vedensyöttö jättäessäsi painepesurin ilman valvontaa.
12. Varo takapotkua. Laite kimmahtaa takaisin, kun painesuihku virtaa suuttimesta ulos. Pidä laitteesta tukevasti kiinni tapaturmien välttämiseksi.
13. Tarkista ennen käyttöä, onko laitteessa vaurioituneita tai kuluneita osia. Varmista myös, että letku on liitetty oikein ja ettei vuotoja esiinny käytön aikana. Toiminnallisesti viallisen laitteen käyttö voi aiheuttaa tapaturman.
14. Älä siirrä painepesurin runkoa vetämällä letkusta. Se voi aiheuttaa letkun ja liitososien vaurioitumisen, oikosulun tai toimintahäiriöitä.
15. Älä laita raskaita kohteita letkun päälle tai aja ajoneuvolla sen päälle.
16. Poista aina laitteeseen jäänyt paine ennen letkun irrottamista.
17. Huomioi paikallisen vesilaitoksen tai vesiyhtiön ohjeet liittäessäsi letkua vedensyöttöön.

18. Jos painepesuri putoaa tai iskeytyy kovaa esinettä vasten, tarkista, ettei se ole vaurioitunut tai murtunut. Vaurioituneen painepesurin käyttäminen voi johtaa savuamiseen, tulipaloon tai sähköiskuun ja aiheuttaa henkilövammoja.
19. Estä tahaton käynnistyminen. Varmista, että kytkin on off-asennossa, ennen kuin asetat akkupaketin paikalleen, nostat laitetta tai kannat sitä. Laitteen kantaminen somei kytkimellä tai sen kytkeminen virtalähteeseen kytkin painettuna aiheuttaa helposti onnettomuuden.
20. Irrota akkupaketti laitteesta ennen minkään säätöjen tekemistä, lisävarusteiden vaihtamista tai laitteen varastointia. Tällaiset ehkäisevät turvatoimet pienentävät laitteen vahingossa käynnistymisen vaaraa.
21. Älä yritä muokata tai korjata laitetta tai akkupakettia muutoin kuin käyttö- ja ylläpito-ohjeissa on ohjeistettu.
22. VAROITUS – Tartunta- tai tapaturmavaara – älä suuntaa poistohöyryä ihmisiä kohti.
23. Varmista, että puhdistettava esine tai alue kestää vettä. Muutoin esine tai alue voi vaurioitua ja aiheuttaa henkilövahingon.

#### Akkukäyttöisen työkalun käyttö ja hoito

1. Lataa akkua vain valmistajan määräämällä laturilla. Tietyille akkupaketille sopiva laturi voi aiheuttaa tulipalovaaran, jos sitä käytetään muuntypisten akkupaketin yhteydessä.
2. Käytä sähkötyökaluja vain määritysten mukaisten akkujen kanssa. Muuntypisten akkujen käyttäminen voi aiheuttaa loukkaantumisi- tai tulipalovaaran.
3. Kun akku ei ole käytössä, säilytä se erillään metalliesineistä, kuten paperiliittimistä, kolikoista, avaimista, nauloista, ruuveista ja muista pienistä metalliesineistä, jotka voivat yhdistää akun navat. Akun napojen oikosulkeminen voi aiheuttaa palovamman tai tulipalon.
4. Akusta voi vuotaa nestettä, jos sitä käsitellään väärin. Vältä kosketusta. Jos nestettä pääsee iholle vahingossa, huuhtelee iho vedellä. Jos nestettä pääsee silmiin, hakeudu lääkärin hoitoon. Ulos purkautunut akkuneste voi ärsyttää ihoa tai aiheuttaa palovammoja.
5. Älä käytä viallista tai muunneltua akkua tai työkalua. Vialliset tai muunnellut akut voivat toimia odottamattomasti aiheuttamalla tulipalo-, räjähdys- tai tapaturmavaaran.
6. Älä altista akkua tai työkalua tulelle tai äärimmäisille lämpötiloille. Altistus tulelle tai yli 130 °C lämpötiloille voi aiheuttaa räjähdyksen.
7. Noudata kaikkia latausohjeita, äläkä lataa akkua tai työkalua ohjeissa määritettyjen lämpötilarajojen ulkopuolella. Väärin tai ohjeissa määritettyjen lämpötilarajojen ulkopuolella suoritettu lataus voi aiheuttaa akkuvaurion ja kasvattaa tapaturmavaaraa.

#### Huolto

1. Noudata käyttöohjeessa kuvattuja huolto-ohjeita.
2. Laitteen turvallisuuden varmistamiseksi käytä aina valmistajan toimittamia alkuperäisiä varaosia tai sen hyväksymiä varaosia.

3. Anna pätevän korjaajan huoltaa painepesuri vain alkuperäisiä vastaavia varaosia käyttämällä. Näin varmistetaan, että painepesurin turvallisuus säilyy.
4. Jos painepesurissa on toimintahäiriö tai vika, sammuta se välittömästi ja irrota akkupaketit. Ota yhteyttä paikalliseen jälleenmyyjään tai huoltoilikkeeseen.

#### Turvallisuutta koskevia lisävaroituksia

1. Älä käytä työkalua, kun on olemassa salamankuun vaara.
2. Kun käytät työkalua mutaisessa maastossa, märässä rinteessä tai liukkaassa paikassa, kiinnitä erityistä huomiota hyvän tasapainon säilyttämiseen.
3. Vältä työskentelemistä heikoissa olosuhteissa, jotka saattavat uuvuttaa käyttäjää liiallisesti.
4. Älä vaihda akkua sateessa.
5. Älä upota työkalua lammikkoihin.
6. Kun varastoit työkalun, vältä sijottamista sitä paikkaan, jossa se altistuu suoralle auringonpaisteelle, sateelle, kuumuudelle tai kosteudelle.
7. Irrota kiinni jäänyt lika työkalusta ja kuivaa se huolellisesti ennen varastoimista. Muutoin voi olla olemassa riski jäätymisestä johtuvuuden toimintahäiriöllä vuodenajasta ja alueesta riippuen.
8. Älä kastele akun liittimiä nesteellä, kuten vedellä, äläkä upota akkua nesteeseen. Älä jätä akkua sateeseen, äläkä lataa tai käytä akkua kosteassa tai märässä paikassa tai varastoi sitä tällaiseen paikkaan. Jos liitin kastuu tai akun sisälle pääsee nestettä, akku voi mennä oikosulkuun, mikä aiheuttaa ylikuumentumisen, tulipalon tai räjähdyksen vaaran.
9. Kun akku on poistettu työkalusta tai laturista, kiinnitä akun suojakansi akkuun ja varastoise kuivaan paikkaan.
10. Älä vaihda akkua märin käsin.
11. Jos laite jäätyy pakkasen takia, pyydä valtuutettua huoltoilikeettä suorittamaan korjaus.
12. Älä käytä langallista virtalähdettä, kuten akkusovitinta tai kannettavaa tehoyksikköä, tämän laitteen kanssa. Tällaisen virtalähteen johto voi haitata käyttöä ja aiheuttaa henkilövahingon.

## SÄILYTÄ NÄMÄ OHJEET.

**VAROITUS:** ÄLÄ anna työkalun helppokäyttöisyyden (toistuvan käytön aikaansaama) johtaa sinua väärään turvallisuuden tunteeseen niin, että laiminlyöt työkalun turvaohjeiden noudattamisen. VÄÄRINKÄYTTÖ tai tässä käyttöohjeessa ilmoitettujen turvamääräysten laiminlyönti voi aiheuttaa vakavia henkilövahinkoja.

### Akkupakettia koskevia tärkeitä turvaohjeita

1. Ennen akun käyttöönottoa tutustu kaikkiin laturissa (1), akussa (2) ja akkukäyttöisessä tuotteessa (3) oleviin varoitusmerkkeihin.

2. **Älä pura tai peukaloi imuria akkupakettia.** Se voi johtaa tulipaloon, ylikuumentumiseen tai räjähdykseen.
3. **Jos akun toiminta-aika lyhenee merkittävästi, lopeta akun käyttö.** Seurauksena voi olla ylikuumentuminen, palovammoja tai jopa räjähdys.
4. **Jos akkunestettä pääsee silmiin, huuhtele puhtaalla vedellä ja hakeudu välittömästi lääkärin hoitoon.** Akkuneste voi aiheuttaa näön menetyksen.
5. **Älä oikosulje akkua.**
  - (1) **Älä koske akun napoihin millään sähköä johtavalla materiaalilla.**
  - (2) **Vältä akun oikosulkemista äläkä säilytä akkua yhdessä muiden metalliesineiden, kuten naulojen, kolikoiden ja niin edelleen kanssa.**
  - (3) **Älä aseta akkua alttiiksi vedelle tai sateelle.**

Oikosulku voi aiheuttaa virtapiikin, ylikuumentumista, palovammoja tai laitteen rikkoontumisen.
6. **Älä säilytä ja käytä työkalua ja akkupakettia paikassa, jossa lämpötila voi nousta 50 °C:een (122 °F) tai korkeammaksi.**
7. **Älä hävitä akkua polttamalla, vaikka se olisi pahoin vaurioitunut tai täysin loppuun kulunut.** Avotuli voi aiheuttaa akun räjähtämisen.
8. **Älä naulaa, leikkaa, purista, heitä tai pudota akkupakettia tai iske sitä kovia esineitä vasten.** Tällaiset toimet voivat johtaa tulipaloon, ylikuumentumiseen tai räjähdykseen.
9. **Älä käytä viallista akkua.**
10. **Sisältyviä litium-ioni-akkuja koskevat vaarallisten aineiden lainsäädännön vaatimukset.** Esimerkiksi kolmansien osapuolten huolintaliikkeiden tulee kaupallisissa kuljetuksissa noudattaa pakkaamista ja merkintöjä koskevia erityisvaatimuksia. Lähetettävän tuotteen valmistelu edellyttää vaarallisten aineiden asiantuntijan neuvontaa. Huomioi myös mahdollisesti yksityiskohtaisemmat kansalliset määräykset  
Akun avoimet liittimet tulee suojata teipillä tai suojuksella ja pakkaaminen tulee tehdä niin, ettei akku voi liikkua pakkauksessa.
11. **Kun akkupaketti on hävitettävä, poista se laitteesta ja hävitä se turvallisesti.** Hävitä akku paikallisten määräysten mukaisesti.
12. **Käytä akkuja vain Makitan ilmoittamien tuotteiden kanssa.** Akkujen asentaminen yhteensopimattomiin tuotteisiin voi aiheuttaa tulipalon, liiallisen ylikuumentumisen, räjähdyksen tai akkunestevuotoja.
13. **Jos laitetta ei käytetä pitkään aikaan, akku on poistettava laitteesta.**
14. **Akkupaketin lämpötila voi käytön aikana ja sen jälkeen nousta niin kuumaksi, että se voi aiheuttaa palovammoja tai lieviä palovammoja. Käsittele kuumia akkupaketteja huolellisesti.**
15. **Älä kosketa työkalun liitintä välittömästi käytön jälkeen, sillä se voi olla riittävän kuuma aiheuttamaan palovammoja.**

16. **Älä päästä lastuja, pölyä tai maata akkupaketin liittimiin, aukkoihin ja uriin.** Se voi johtaa työkalun tai akkupaketin lämpenemiseen, syttymiseen, purkautumiseen tai toimintahäiriöön, mikä voi aiheuttaa palovammoja tai vammoja.
17. **Ellei työkalu tue käyttöä korkeajännitelinjojen lähellä, älä käytä akkupakettia korkeajännitelinjojen lähellä.** Se voi johtaa työkalun tai akkupaketin toimintahäiriöön tai rikkoutumiseen.
18. **Pidä akku poissa lasten ulottuvilta.**

## SÄILYÄ NÄMÄ OHJEET.

**⚠HUOMIO:** Käytä vain alkuperäisiä Makita-akkuja. Muiden kuin aitojen Makita-akkujen, tai mahdollisesti muutettujen akkujen käyttö voi johtaa akun murtumiseen ja aiheuttaa tulipaloja, henkilö- ja omaisuusvahinkoja. Se mitätöi myös Makita-tökalun ja -laturin Makita-takuun.

## Vihjeitä akun käyttöiän pidentämiseksi

1. **Lataa akku ennen kuin se purkautuu täysin.** Lopeta aina työkalun käyttö ja lataa akku, jos huomaat työkalun tehon vähenevän.
2. **Älä koskaan lataa uudestaan täysin ladattua akkua.** Yliilataaminen lyhentää akun käyttöikä.
3. **Lataa akku huoneen lämpötilassa välillä 10 °C - 40 °C.** Anna kuumaan akku jäähtyä ennen lataamista.
4. **Irrota akkupaketti työkalusta tai laturista, kun sitä ei käytetä.**
5. **Lataa akkupaketti, jos et käytä sitä pitkään aikaan (yli kuusi kuukautta).**

## TOIMINTOJEN KUVAUS

**⚠HUOMIO:** Varmista aina ennen säätöjä ja tarkastuksia, että työkalu on sammutettu ja akkupaketti irrotettu.

## Akun asentaminen tai irrottaminen

**⚠HUOMIO:** Sammuta työkalu aina ennen akun kiinnittämistä tai irrottamista.

**⚠HUOMIO:** Pidä työkalusta ja akusta tiukasti kiinni, kun irrotat tai kiinnität akkua. Jos akkupaketti tai työkalu putoaa, ne voivat vaurioitua tai aiheuttaa tapaturman.

**⚠HUOMIO:** Varo jättämästä sormiasi väliin, kun avaat tai suljet akun kannen.

Avaa kansi painaen samalla lukitusvipua.

► **Kuva1:** 1. Kansi 2. Lukitusvipu

Sovita akkupaketin kieleke kotelon uraan ja liu'uta akkupaketti sitten paikoilleen. Työnnä se pohjaan asti niin, että se napsahtaa paikoilleen. Jos näet kuvan mukaisen punaisen ilmaisimen, akkupaketti ei ole lukittunut kunnolla.

► **Kuva2:** 1. Punainen ilmaisin 2. Painike 3. Akkupaketti

Kun akkupaketit on asennettu tai irrotettu, sulje kansi.

Kun haluat irrottaa akkupaketin, avaa kansi, liu'uta akkupaketti pois työkalusta painaen samalla edessä olevaa painiketta ja sulje sitten kansi.

**⚠️HUOMIO:** Työnnä akkupaketti aina pohjaan asti, niin että punainen ilmaisin ei enää näy. Jos akkupaketti ei ole kunnolla paikallaan, se voi pudota työkalusta ja aiheuttaa vammoja joko sinulle tai sivullisille.

**⚠️HUOMIO:** Älä käytä voimaa akun asennuksessa. Jos akku ei liu'uta paikalleen helposti, se on väärässä asennossa.

**⚠️HUOMIO:** Varmista ennen käyttöä, että kansi on lukittu.

## Työkalun/akun suojausjärjestelmä

Työkalussa on työkalun/akun suojausjärjestelmä. Tämä järjestelmä katkaisee automaattisesti moottorin virran työkalun ja akun käyttöäin pidentämiseksi. Työkalu pysähtyy käytön aikana automaattisesti ja ilmaisin syttyy, jos työkalu tai akku on jossain seuraavista tilanteista:

► **Kuva3:** 1. Ilmaisin

## Ylikuormitusuoja

Kun työkalua tai akkua käytetään tavalla, joka saa sen kuluttamaan epätavallisen paljon virtaa, työkalu pysähtyy automaattisesti ja punainen ilmaisin syttyy. Sammuta tällöin työkalu ja lopeta toiminta, joka aiheutti työkalun ylikuormittumisen. Käynnistä sitten työkalu uudelleen kytkemällä virta.

## Ylikuumentumissuoja

Kun työkalu tai akku on ylikuumentunut, työkalu pysähtyy automaattisesti ja punainen ilmaisin syttyy. Anna tällöin työkalun jäähtyä ennen virran kytkemistä uudelleen.

## Ylipurkautumissuoja

Jos akkukapasiteetti käy vähiin, punainen ilmaisin vilkkuu. Kun akku on lähes tyhjä, työkalu pysähtyy automaattisesti ja punainen ilmaisin syttyy. Irrota tässä tapauksessa akku työkalusta ja lataa se.

## Suojaus muilta haitallisilta tapahtumilta

Suojausjärjestelmä on suunniteltu suojaamaan työkalu myös muilta tapahtumilta, jotka voisivat vahingoittaa työkalua, ja pysäyttämään työkalu automaattisesti tällaisissa tapauksissa. Kun työkalu tai sen toiminta on pysähtynyt tilapäisesti, poista pysäytyksen syyt seuraavien vaiheiden mukaisesti.

1. Käynnistä työkalu uudelleen sammuttamalla se ja kytkemällä se sitten uudelleen päälle.
2. Lataa akut tai vaihda ne ladattuihin akkuihin.
3. Anna työkalun ja akkujen jäähtyä.

Jos suojausjärjestelmän nollaaminen ei korjaa tilannetta, ota yhteys paikalliseen Makita-huoltoon.












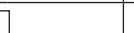






**HUOMAUTUS:** Jos työkalu pysähtyy muusta kuin yllä kuvatusta syystä, katso vianmääritysoiota.

## Akun jäljellä olevan varaustason ilmaisin

### Vain akkupaketeille ilmaisimella

Painamalla tarkistuspainiketta saat näkyviin akun jäljellä olevan varausten. Merkkivalot palavat muutaman sekunnin ajan.

► **Kuva4:** 1. Merkkivalot 2. Tarkistuspainike

| Merkkivalot  |  |  | Akussa jäljellä olevan varaus            |
|--|--|--|--|
|  Palaava  |  Pois päältä  |  Vilkkuu  |  |
|   |  |  | 75% - 100%                               |
|   |   |  | 50% - 75%                                |
|   |   |  | 25% - 50%                                |
|   |   |  | 0% - 25%                                 |
|   |   |  | Lataa akku.                              |
| <br> | <br> | <br> | Akussa on saattanut olla toimintahäiriö. |

**HUOMAA:** Ilmoitettu varaustaso voi erota hieman todellisesta varaustasosta sen mukaan, millaisissa oloissa ja missä lämpötilassa laitetta käytetään.

**HUOMAA:** Ensimmäinen (vasemmanpuoleisin) merkkivalo vilkkuu, kun akun suojausjärjestelmä on toiminnassa.

## Painetilakytkin

Valitse haluamasi paine liu'uttamalla kytkinvipua eteen- ja taaksepäin.

Vedä vipu taakse matalapainetila varten niin, että kytkimessä näkyy numerosymboli "1".

Työnnä vipu eteenpäin korkeapainetila varten niin, että kytkimessä näkyy numerosymboli "2".

► **Kuva5:** 1. Matalapainetila (1) 2. Korkeapainetila (2)  
3. Painetilan kytkinvipu

## Liipaisinkytkin

Painepesurin liipaisimessa on turvalukitus. Vapauta liipaisimen lukitus painamalla lukituspainike liipaisimeen niin, että liipaisimen pinnasta tulee tasainen.

Paina liipaisinkytkintä vesisuihkun käynnistämiseksi. Vettä suihkutetaan niin kauan kuin liipaisinta pidetään painettuna.

► **Kuva6:** 1. Liipaisinkytkin 2. Lukituspainike

Kytke liipaisimen lukitus painamalla lukituspainike takaisin ulos liipaisimen sisältä.

Lukitse liipaisin, kun painepesuria ei käytetä.

► **Kuva7:** 1. Liipaisinkytkin 2. Lukituspainike

## Suutintoiminnot

Monikuvioisessa (5-in-1) suihkusuuttimessa on erilaisia suihkukuviota, joita voidaan säätää pesutarpeiden mukaan. Yhdistämällä viisi eniten käytettyä suihkukuviota yhteen suuttimeen suutinta ei enää tarvitse vaihtaa. Valitse vain tehtävään sopiva suihkukuviot.

**Helppo suuttimien vaihto, 0°, 15°, 25°, 40° ja suihku**

► **Kuva8**

► **Kuva9:** 1. Suihkutuskuviot symboli 2. Kolmiomerkki

Kierrä suuttimen pää vasemmalle tai oikealle haluamasi suihkukuviota kohdalle. Kohdista haluamasi suihkukuviot symboli kolmiomerkin kohdalle oikein niin, että suuttimen pää lukittuu napsahtaen.

► **Kuva10**

**HUOMAUTUS:** Älä aseta suuttimen päätä asentoon, jossa se ei napsahda. Muutoin työkalu saattaa tuottaa epäsäännöllisiä suihkukuviota, joista seuraa vesivuotoja.

**⚠HUOMIO:** Älä kierrä suuttimen runkoa, kun vaihdat suihkukuviota. Suutin voi irrota työkalun rungosta ja aiheuttaa henkilövahingon.

## Varoventtiili

Työkalussa on varoventtiili kohtuuttoman ylipaineen estämiseksi.

**⚠HUOMIO:** Älä muuntele tai säädä varoventtiilin asetuksia.

## KOKOONPANO

**⚠HUOMIO:** Varmista aina ennen mitään työkalulle tehtäviä toimenpiteitä, että se on sammutettu ja akku irrotettu.

## Suuttimen ja jatkoputken asentaminen

**⚠HUOMIO:** Lukitse liipaisinkytkin aina, kun kiinnität/irrota suutinta ja jatketta.

### Suutin

Kohdista suuttimen ohjainulokkeet työkalun kotelon lukitusuriin. Paina suutinta pohjaan, kunnes suuttimen ja kotelon kaksi kolmiomerkkiä ovat kohdakkain. Kytke sitten lukko kiertämällä suutinta kuvan osoittamaan suuntaan.

Kun olet asentanut suuttimen, varmista kiinnityksen pitävyyttä yrittämällä vetää sitä irti.

► **Kuva11:** 1. Suutin 2. Ohjausuloke 3. Lukitusura 4. Kolmiomerkit 5. Vatsaevämäinen osa

**HUOMAA:** Kierrä vatsaevämäistä osaa niin, että se osoittaa alaspäin.

Kun haluat irrottaa suuttimen, paina sitä kohti työkalun koteloa ja kierrä vastapäivään, kunnes kaksi kolmiomerkkiä ovat kohdakkain. Vedä suutin pois työkalun kotelosta, kun sen lukitus on vapautettu.

### Jatkoputki

Vaikeasti saavutettavien kohteiden kasteleminen.

Asenna jatkoputki työkalun kotelon ja suuttimen väliin noudattamalla suuttimen asennusohjeita.

► **Kuva12:** 1. Jatkoputki 2. Työkalun kotelo 3. Suutin 4. Ohjainulokkeet 5. Lukitusurat 6. Kolmiomerkit

Kun haluat irrottaa lisälaitteen, paina kärkilisälaitetta kohti kiinnityslisälaitetta/-koteloa ja kierrä vastapäivään, kunnes kaksi kolmiomerkkiä ovat kohdakkain. Vedä kärkilisälaitte pois kiinnityslisälaitteesta/-kotelosta, kun sen lukitus on vapautettu.

## Liittäminen säiliövedensyöttöön

**HUOMAUTUS:** Käytä veden syöttämiseen aina työkalun mukana toimitettua paineletkua ja suodatinta.

**HUOMAUTUS:** Painepesurin imuaukon ja vedenpinnan välinen korkeusero saa olla enintään 2,0 m. Muutoin painepesuri ei voi imeä vettä pumppuun.

**HUOMAUTUS:** Lisää vesiastian pohjalle yli 25 mm vettä ja upota suodatin kokonaan veteen.

Vettä voidaan syöttää kaikenkokoisista säiliöistä/astioista/altaista.

Säiliötä käytetään painepesutilanteissa, esim. auton peseminen, puutarhanhoito yms., joissa ei ole saatavilla vettä vaan sitä täytyy tuoda pesualueelle tai pesupaikalle.

1. Kiinnitä suodatin paineletkun toiseen päähän.

Aseta suodattimen ulostulo liitäntäholkkiin ja paina sitä, kunnes suodatin on kunnolla paikallaan.

► **Kuva13:** 1. Suodatin 2. Liitäntäholkki 3. Paineletku

2. Jätä suodatin vesiastian pohjalle.

► **Kuva14:** 1. Suodatin 2. Paineletku 3. Letkun koukku

**HUOMAA:** Ripusta letku aukon reunaan toimitukseen kuuluvalla koukulla niin, että suodatin pysyy paikallaanastian pohjalla.

3. Kiinnitä letkun toinen pää painepesurin vesiletkuliittimeen.

Aseta liitäntäholkki liittimen tulon päälle ja paina sitä, kunnes liitäntäholkki lukittuu paikalleen.

► **Kuva15:** 1. Liitäntäholkki 2. Vesiletkuliitin

**⚠HUOMIO:** Varmista, että korkeapaineletku on kiinnitetty luotettavasti paikalleen. Löysä liitäntä voi singota korkeapaineletkun pois paikaltaan aiheuttaen henkilövahinkoja.

**HUOMAUTUS:** Laita painepesuriin ja letkuun vettä etukäteen aina, kun olet nostamassa vettä tietystä syvyydestä korkeapainetilassa.

## Liittäminen vesijohtoon

**⚠HUOMIO:** Käytä veden syöttämiseen aina työkalun mukana toimitettua paineletkua.

**HUOMAUTUS:** Jos liität letkun vesijohtoverkoon, käytä liitännässä paikallisia määräyksiä noudattavaa takaiskuventtiiliä.

**HUOMAUTUS:** Tuloveden syöttöpaine tulee olla alle 0,5 MPa tarkkaa syöttöä varten. Älä ylitä maksimisyöttöpainetta, sillä se voi aiheuttaa vesivuotoja, kun työkalu lopettaa työskentelyä.

Vettä voidaan syöttää pesualueella tai pesupaikassa käytettävissä olevasta vesijohdosta.

Jatkuva vedentulo poistaa veden lisäämistarpeen ja mahdollistaa tehokkaan kodin puhdistuksen ja puutarhanhoidon, kuten paikallisen puhdistamisen, huuhtelun ja suuren nurmikko- tai kasvillisuusalueen kastelemisen.

1. Liitä paineletku vesihanaan.

Käytä sopivaa liittintä, kuten hanaliittintä, letkun pään kiinnittämiseen vesihanaan.

► **Kuva16:** 1. Hanaliitin 2. Liitäntäholkki 3. Paineletku

**HUOMAA:** Liitintyyppi vaihtelee liitettävän vesihanan muodon mukaan. Valmistele tarkoitukseen soveltuva, erikseen ostettava liitin.

2. Kiinnitä letkun toinen pää painepesurin vesiletkuliittimeen.

Aseta liitäntäholkki liittimen tulon päälle ja paina sitä, kunnes liitäntäholkki lukittuu paikalleen.

► **Kuva17:** 1. Liitäntäholkki 2. Vesiletkuliitin

## Vaahtosuuttimen asentaminen

### Lisävaruste

**⚠HUOMIO:** Lukitse liipaisinkytkin aina, kun kiinnität/irrota valinnaisia lisälaitteita.

**HUOMAUTUS:** Käytä vain neutraaleja pesuaineita. Älä käytä kotitalouspesuaineita, happamia tai emäksisiä pesuaineita, valkaisuaineita, liuottimia, tulenarkoja materiaaleja tai teolliseen käyttöön tarkoitettuja ratkaisuja, jotka voivat vahingoittaa työkalua tai omaisuuttasi. Valmista pesuliuos liuospullon ohjeiden mukaisesti ja testaa sitä aina etukäteen huomaamattomassa kohdassa.

**HUOMAUTUS:** Jos käytetään suuriviskositeettistä pesuainetta, suutin todennäköisesti tukkeutuu. Kun käytetään suuriviskositeettistä pesuainetta, laimenna sitä ennen käyttöä lisäämällä pulloon vettä.

**HUOMAA:** Vaahtosuutinta käytettäessä pullossa olevaa pesuainetta laimennetaan työkalun syöttämällä vedellä ja suihkutetaan sitten. Pullossa olevaa pesuainetiivistettä ei tarvitse laimentaa enemmän kuin on tarpeen. Säädä pesuainepitoisuus käyttöolosuhteiden mukaan.

**HUOMAA:** Jos vaahtosuutin kallistetaan kyljelleen, pesuainetta saattaa valua ulos.

Valmistele pesuaine ennen vaahtosuuttimen käyttöä.

1. Täytä säiliö pesuaineella. Kiinnitä suutin säiliöön ja kiristä kansi kunnolla.
2. Kohdistaa vaahtosuuttimen ohjainulokkeet työkalun kotelon lukitusuriin kallistamalla suutinta. Paina suutin pohjaan ja pidä sitä paikallaan. Kytke sitten lukko kiertämällä vaahtosuutinta kuvan osoittamaan suuntaan.  
► **Kuva18:** 1. Vaahtosuutin 2. Säiliö 3. Ohjausuloke 4. Lukitusura

Kun olet asentanut suuttimen, varmista kiinnityksen pitävyyttä yrittämällä vetää sitä irti.

3. Säädä pesuaineliuoksen imumäärää kiertämällä pesuainesäädintä.

- **Kuva19:** 1. Pesuainesäädin 2. Säädä minimiin 3. Säädä maksimiin

## Valinnaisten suuttimien asentaminen

### Lisävaruste

**⚠HUOMIO:** Lukitse liipaisinkytkin aina, kun kiinnität/irrota valinnaisia lisälaitteita.

Kohdista valinnaisen suuttimen ohjainulokkeet työkalun kotelon lukitusuriin. Paina suutin pohjaan ja pidä sitä paikallaan. Kytke sitten lukko kiertämällä suutinta kuvan osoittamaan suuntaan.

Kun olet asentanut suuttimen, varmista kiinnityksen pitävyyttä yrittämällä vetää sitä irti.

► **Kuva20:** 1. Suuttimet 2. Ohjausuloke 3. Lukitusura

Kun haluat irrottaa suuttimen, paina sitä kohti työkalun koteloa ja vapauta sitten lukitus kiertämällä sitä vastapäivään. Vedä suutin pois painepesurista, kun sen lukitus on vapautettu.

## Muovipullosovittimen asentaminen

### Lisävaruste

**⚠HUOMIO:** Lukitse liipaisinkytkin aina, kun kiinnität/irrota valinnaisia lisälaitteita.

**⚠HUOMIO:** Kiinnitä muovipullosovitin tiukasti painepesuriin ja muovipulloon. Muutoin pullo voi pudota aiheuttaen henkilövahingon.

**HUOMAA:** Vettä voidaan säilyttää 2 litran (puolen gallonan) muovipullossa.

1. Täytä muovipullo vedellä.
2. Vie imuputki alas pullon aukon läpi.
3. Kiinnitä sovitin pulloon kiertämällä liitäntäholkkin mutteria.
4. Kiinnitä muovipullosovitin painepesurin vesiletkuliittimeen.

Aseta liitäntäholkki liittimen tulon päälle ja paina sitä, kunnes liitäntäholkki lukittuu paikalleen.

► **Kuva21:** 1. Muovipullosovitin 2. Imuputki 3. Muovipullo 4. Vesiletkuliitin



# TYÖSKENTELY

**VAROITUS:** Älä koskettele vesisuihkua tai suuntaa sitä itseäsi tai sivullisia kohti. Vesisuihku voi olla vaarallinen ja aiheuttaa vahinkoa sinulle ja sivullisille.

**VAROITUS:** Kun suuntaat vesisuihkua, älä koskaan pidä puhdistettavasta kohteesta kiinni käsin, tai aseta käsiäsi tai jalkojasi vesisuihkun läheisyyteen.

**HUOMIO:** Älä käytä painepesuria ilman vettä yli 1 minuutin ajan.

**HUOMIO:** Älä käytä painepesuria pitkiä aikoja kerrallaan. Seurauksena olla laitteen ylikuumentuminen tai tulipalo. Pitkäaikainen käyttö voi myös aiheuttaa tärinästä aiheutuvia terveyshaittoja.

**HUOMIO:** Tarkkaile tuulen suuntaa. Jos pesuainetta joutuu silmiisi tai suuhun, huuhtelee ne välittömästi puhtaalla vedellä ja ota tarvittaessa yhteys lääkäriin.

**HUOMAUTUS:** Suojaa painepesurin mekaanisia osia käyttämällä aina enintään 40 °C:n (104 °F) lämpöistä vettä.

**HUOMAUTUS:** Älä käytä käsittelemätöntä vettä, kuten joen tai lammen vettä tai hiekkaista tai mutaista vettä. Suodattamaton liikainen vesi voi aiheuttaa ei-toivotun materiaalin saostumista pumpuun, mistä seuraa toimintahäiriö.

## Veden nostokorkeus

Vesilähteen ja painepesurin veden imuaukon välinen etäisyys korkeussuunnassa saa olla enintään 2,0 m.

## Astiassa olevan veden syvyys

Laita vesiaastian pohjalle yli 25 mm vettä.

► **Kuva22:** 1. Veden nostokorkeus 2. Astiassa olevan veden syvyys

## Peruskäyttövaiheet

1. Liitä vesiletkun tulo vedensyöttöön.
2. Liitä vesiletkun lähtö painepesuriin.  
► **Kuva23**
3. Jos painepesuriin viime käyttökerralla jäänyt vesi on poistunut, lisää vettä paineletkuun ja painepesuriin. Anna veden juosta letkun ja pesurin läpi, kunnes kaikki niissä oleva ilma on poistunut.  
(1) Irrota suutin painepesurista.  
(2) Asenna akkupaketti painepesuriin.  
(3) Valitse korkeapainetila.  
(4) Vapauta liipaisinkytkimen lukitus.  
(5) Vedä liipaisinkytkintä, kunnes painepesuri tuottaa vakaan vesisuihkun.  
► **Kuva24:** 1. Painetilan kytkinvipu

Kun ilmalukot on poistettu painepesurista ja letkusta, vapauta liipaisinkytkin.

Poista akkupaketti painepesurista ja kiinnitä tarkoitukseen sopiva suutin.

4. Avaa kansi, asenna akkupaketti painepesuriin ja lukitse sitten kansi.

► **Kuva25:** 1. Akkupaketti 2. Kansi

**HUOMIO:** Varo jättämästä sormiasi väliin, kun avaat tai suljet akun kannen.

5. Valitse haluamasi painetila. Vapauta sitten liipaisinkytkimen lukitus.

► **Kuva26:** 1. Painetilan kytkinvipu 2. Liipaisinkytkin 3. Lukituspainike

6. Suuntaa suuttimen pää kasteltavalle alueelle tai kasteltavaan paikkaan. Paina liipaisinkytkintä.

Vettä suihkutetaan niin kauan kuin liipaisinta pidetään painettuna.

► **Kuva27**

► **Kuva28**

**HUOMIO:** Pidä painepesurista kunnolla kiinni. Työkalu potkaisee, kun vedät liipaisinkytkimestä.

**HUOMIO:** Pidä aina kiinni sekä painepesurin kahvasta että varresta, kun suihkutat vettä.

## Käytön jälkeen

**HUOMIO:** Suorita tässä oppaassa kuvatut toimenpiteet aina painepesurin käytön jälkeen. Painepesurin jäännöspaine voi aiheuttaa henkilövahingon tai pumpun sisäosien vaurioita.

1. Vapauta liipaisinkytkin ja lukitse se lukituspainikkeella.
2. Irrota vesiletku vedensyöttöstä.  
► **Kuva29**
3. Vapauta liipaisinkytkimen lukitus ja paina kytkintä, kunnes painepesuriin ja letkuun jäänyt vesi on poistunut.  
► **Kuva30**

**HUOMAUTUS:** Älä käytä moottoria yli 1 minuutin ajan.

4. Vapauta liipaisinkytkin ja lukitse se lukituspainikkeella. Irrota sitten akku painepesurista.  
► **Kuva31:** 1. Lukituspainike 2. Akkupaketti
5. Irrota paineletku painepesurista.  
► **Kuva32:** 1. Liitäntäholkki 2. Vesiletkuliitin

**HUOMAUTUS:** Estä paineletkun vaurioituminen poistamalla letkuun jäänyt vesi ennen letkun asettamista säilytykseen.

## KUNNOSSAPITO

**HUOMIO:** Varmista aina ennen tarkastusta tai huoltoa, että laite on sammutettu ja akkupaketti irrotettu.

**HUOMAUTUS:** Älä koskaan käytä bensiiniä, ohenteita, alkoholia tai tms. aineita. Muutoin pinta voi halkeilla tai sen värit ja muoto voivat muuttua. Muutoin laitteeseen voi tulla värjäytyimiä, muodon vääristymiä tai halkeamia.

Tuotteen TURVALLISUUDEN ja LUOTETTAVUUDEN takaamiseksi korjaukset, muut huoltotyöt ja säädöt on teetettävä Makitan valtuutetussa huoltopisteessä Makitan varaosia käyttäen.

## Suuttimien puhdistaminen

Poista tukkeutunut lika suuttimen aukoista käyttämällä pientä viilatyyppistä puhdistusneulaa.

► **Kuva33:** 1. Puhdistusneula 2. Suutin

**HUOMAA:** Puhdista suutin säännöllisesti parhaan mahdollisen suorituskyvyn ylläpitämiseksi.

**HUOMAUTUS:** Älä poista likaa tai jäämiä voi-makeinoin. Muussa tapauksessa voi seurauksena olla henkilövahinkoja, tai suihkuaukon muuttuneen suihkukulman tai huonon suorituskyvyn johdosta tapahtuva vahinko.

## Suodattimien puhdistaminen

Irrota vesiletkuliitin painepesurista. Poista suodattimeen tarttunut pöly ja lika.

► **Kuva34:** 1. Vesiletkuliitin 2. Suodatin  
3. Tiivisterengas

Pura suodatin kiertämällä suodatinkotelo auki. Poista suodattimeen tarttunut pöly ja lika.

► **Kuva35:** 1. Suodatin 2. Suodatinkotelo

**HUOMAA:** Puhdista suodatin säännöllisesti parhaan mahdollisen suorituskyvyn ylläpitämiseksi.

## VIANMÄÄRITYS

Tarkista laite ensin itse, ennen kuin viet sen korjattavaksi. Jos ongelmaan ei löydy ratkaisua käyttöoppaasta, älä kuitenkaan yritä purkaa työkalua osiin. Ota sen sijaan yhteyttä Makita-huoltoliikkeeseen. Käytä korjaamiseen aina alkuperäisiä Makita-varaosia.

| Epänormaali tila                      | Todennäköinen syy (toimintahäiriö)          | Korjaus   |
|---------------------------------------|---|---|
| Pesuri ei käynnisty.                  | Ei virransyöttöä                            | Asenna ladattu akkupaketti.   |
|                                       | Liipaisinkytkin on lukittu.                 | Vapauta liipaisinkytkimen lukitus.  |
|                                       | Akku tai virtapiiri on vaurioitunut         | Pyydä valtuutettua huoltoliikettä suorittamaan korjaus.   |
| Vesisuihkua ei ole / huono vesisuihku | Vedensyöttöä ei ole                         | Varmista, että vesihana on auki. Jos liitetään säiliövedensyöttöön, kaada vettä painepesuriin ja letkuun. |
|                                       | Huono vedensyöttö                           | Avaa vesihana.  |
|                                       | Huono vedensyöttöliitäntä                   | Tarkista painepesurin ja vedensyötön välinen liitäntä.  |
|                                       | Vääntynyt tai kulunut vesiletku             | Suorista letku. Vaihda vaurioitunut vesiletku uuteen.   |
|                                       | Tukkeutunut letku tai suutin                | Puhdista tukkeutunut letku tai suutin.  |
|                                       | Tukkeutuneet suodattimet                    | Poista suodattimiin ja vesiletkuliittimeen tarttunut pöly ja lika.  |
|                                       | Jäte-/pilaantunut vesi                      | Puhdista vesijärjestelmä ja täytä puhtaalla vedellä.  |
|                                       | Suutin viallinen tai kulunut                | Vaihda suutin.  |
|                                       | Pumpussa tai venttiilissä toimintahäiriöitä | Pyydä valtuutettua huoltoliikettä suorittamaan korjaus.   |
|                                       | Löysä vesiliitin                            | Kiristä vesiletkun ja liitäntäholkkien välinen liitos.  |
|                                       | Vuotoja vedensyöttöliitännästä              | Kiristä vesiletkun ja vedensyötön välinen liitäntä uudelleen.   |
|                                       | Väärin asennettu suodatin                   | Upota suodatin kokonaan veteen.   |
|                                       | Matalapainetila käytössä                    | Vaitse korkeapainetila.   |

| Epänormaali tila       | Todennäköinen syy (toimintahäiriö)     | Korjaus  |
|------------------------|--|--|
| Epätasainen vesisuihku | Suutin tukossa                         | Puhdista suuttimen syöttöreikä puhdistusneulaa käyttämällä.                                    |
|                        | Huono veden imutoiminto                | Tarkista vesiletku vuotojen ja tukosten varalta.   |
|                        | Vesi on liian kuumaa.                  | Syötä kylmempää vettä.   |
|                        | Venttiilissä toimintahäiriö            | Pyydä valtuutettua huoltoliikettä suorittamaan korjaus.  |
| Epänormaali ääni       | Vesi on liian kuumaa.                  | Syötä kylmempää vettä.   |
| Vesivuoto              | Huono liitäntä                         | Tarkista painepesurin ja vedensyötön välinen liitäntä.   |
|                        | Huonosti asennettu suutin              | Paina suutin pohjaan. Kierrä sitten suutinta, kunnes se lukittuu kunnolla.                     |
|                        | Suuttimen pää pysyy väärässä asennossa | Aseta suuttimen pää asentoon, jossa se napsahtaa ja jossa suihkukuvion symboli näkyy selvästi. |
|                        | Tiivisteet kuluneet                    | Pyydä valtuutettua huoltoliikettä suorittamaan korjaus.  |

## LISÄVARUSTEET

**⚠️HUOMIO:** Seuraavia lisävarusteita tai laitteita suositellaan käytettäväksi tässä ohjeessa kuvatun Makita-työkalan kanssa. Muiden lisävarusteiden tai laitteiden käyttö voi aiheuttaa henkilövahinkoja. Käytä lisävarusteita ja -laitteita vain niiden käyttötarkoituksen mukaisesti.

Jos tarvitset apua tai yksityiskohtaisempia tietoja seuraavista lisävarusteista, ota yhteys paikalliseen Makitan huoltoon.

**HUOMAA:** Jotkin luettelossa mainitut varusteet voivat sisältyä työkalun toimitukseen vakiovarusteina. Ne voivat vaihdella maittain.

### Vahtosuutin

► Kuva36

Puhdistusaine suihkutetaan vaahtomuodossa.

### Pesuharja

► Kuva37

Suutin on varustettu harjalla. Hyödyllinen lian puhdistamiseen harjaa käyttämällä.

### Kulmasuutin

► Kuva38

Suuttimen kulmapäätä voidaan kiertää 360 astetta, mikä helpottaa käsiteltävyyttä ja kattavuutta ilman kuolleita kulumia.

### Muovipullosovitin

► Kuva39

Pumppaa pullotettua vettä ja poista sitä helposti muovipullostasta. Vesipullo voi toimia vesilähteenä.

## ADVARSEL

- Apparatet må ikke anvendes af børn. Børn skal overvåges for at sikre, at de ikke leger med apparatet.
- Dette apparat er ikke beregnet til brug af personer (herunder børn) med reducerede fysiske, sensoriske eller mentale færdigheder eller manglende erfaring eller kendskab, medmindre de er overvåget eller instrueret i brug af apparatet af en person, der er ansvarlig for deres sikkerhed.
- Vand under tryk må ikke rettes mod personer, strømførende elektrisk udstyr eller selve apparatet.
- Sørg altid for, at der er slukket for apparatet, og at akkuen er fjernet, før der foretages nogen form for arbejde på maskinen.
- Brug ikke apparatet, hvis vigtige dele af apparatet er beskadiget, for eksempel sikkerhedsanordninger, trykslanger.
- Læs instruktionerne i vedligeholdelsesafsnittet for at få de relevante oplysninger om forholdsregler under brugervedligeholdelse.
- Lær det normale temperaturområde for opladning af batteri. Læs sikkerhedsinstruktioner for akku for at lære forholdsregler for håndtering af batterier.
- Læs instruktionerne i monteringsafsnittet for at få de relevante oplysninger om forholdsregler under installation af apparatet.
- Lær det maksimale tryk for indløbsvand. Læs information i specifikationers-afsnittet for passende oplysninger om tilslutning til vandledning.
- Anvend altid de slangesæt, som fulgte med apparatet. Læs instruktionerne i monteringsafsnittet for at lære forholdsregler for tilslutning til vandledning.
- Vandpåfyldningsåbningen bør ikke åbnes under brug. Følg instruktionerne i monteringsafsnittet for at bevare vandtryk.
- Må ikke anvendes i svømmebassiner indeholdende vand.
- Overhold det lokale vandværks krav.
- For lande i Europa:  
I henhold til EN12729 (BA) må apparatet også sluttes til hoveddrikkevandsforsyningen, hvis der monteres en ventil til tilbageløbssikring med afløbsfunktion i forsyningsslangen.

# SPECIFIKATIONER

|  |  |                         |
|--|--|-------------------------|
| <b>Model:</b>  |  | <b>DHW180</b>           |
| Maks. gennemstrømningshastighed <sup>*1</sup><br>[Beholdervandforsyning / Vandledningsforsyning] |  | 3,0 / 5,3 L/min         |
| Vandgennemstrømningshastighed <sup>*2</sup>  | Høj tilstand   | 2,5 L/min               |
|  | Lav tilstand   | 1,5 L/min               |
| Maks. arbejdstryk  |  | 2,4 MPa                 |
| Arbejdstryk <sup>*2</sup>  | Høj tilstand<br>[Beholdervandforsyning /<br>Vandledningsforsyning] | 2,0 / 2,2 MPa           |
|  | Lav tilstand<br>[Beholdervandforsyning /<br>Vandledningsforsyning] | 0,8 / 0,8 MPa           |
| Maks. tilførselstryk   |  | 0,5 MPa                 |
| Maks. tilførselstemperatur   |  | 40°C                    |
| Maks. sugehøjde  |  | 2,0 m                   |
| Mærkespænding  |  | D.C. 18 V               |
| Mål <sup>*3</sup><br>[L x B x H]   |  | 888 mm x 99 mm x 239 mm |
| Vægt   |  | 2,3 - 2,7kg             |

\*1: Uden dyse

\*2: Sprøjtemønster 15°

\*3: Med 5-i-1-dyse og forlængerrør

- På grund af vores kontinuerlige forsknings- og udviklingsprogrammer kan hosstående specifikationer blive ændret uden varsel.
- Specifikationer kan variere fra land til land.
- Vægten kan være anderledes afhængigt af tilbehøret, inklusive akkuen. Den letteste og tungeste kombination i henhold til EPTA-procedure 01/2014 er vist i tabellen.

## Anvendelig akku og oplader

|         |   |
|---------|---|
| Akku    | BL1815N / BL1820B / BL1830B / BL1840B / BL1850B / BL1860B             |
| Oplader | DC18RC / DC18RD / DC18RE / DC18SD / DC18SE / DC18SF / DC18SH / DC18WC |

- Nogle af de akkuer og opladere, der er angivet ovenfor, er muligvis ikke tilgængelige, afhængigt af hvilket område du bor i.

**⚠ ADVARSEL: Brug kun de akkuer og opladere, der er angivet ovenfor.** Brug af andre akkuer og opladere kan medføre personskaade og/eller brand.

**⚠ ADVARSEL: Brug ikke en ledningstilsluttet strømforsyning som fx en batteriadapter eller bærbar strømforsyningsenhed med denne maskine.** Ledningen til en sådan strømforsyning kan muligvis hindre brugen og forårsage personskaade.

## Symboler

Følgende viser de symboler, der muligvis anvendes til udstyret. Sørg for, at du forstår deres betydning før brugen.



Læs betjeningsvejledningen.



Udvis særlig forsigtighed og opmærksomhed.



Kun for lande inden for EU  
 På grund af tilstedeværelsen af farlige komponenter i udstyret kan affald af elektrisk og elektronisk udstyr, akkumulatører og batterier have en negativ indvirkning på miljøet og folkesundheden.  
 Bortskaf ikke elektriske og elektroniske apparater eller batterier sammen med husholdningsaffald!  
 I overensstemmelse med EF-direktiv om affaldshåndtering af elektrisk og elektronisk udstyr og om akkumulatører og batterier og affaldsakkumulatører og -batterier, og i overensstemmelse med national lovgivning, skal brugt elektrisk udstyr, batterier og akkumulatører opbevares separat og leveres til et separat indsamlingssted for kommunalt affald, der er etableret i henhold til bestemmelserne om miljøbeskyttelse. Dette er angivet ved symbolet på den krydsede skrældespand, der er placeret på udstyret.



Tilslut ikke til en drikkevandhane.



Ret ikke strålen mod personer, herunder dig selv, dyr og strømførende elektrisk udstyr.

## Tilsigtet anvendelse

Denne maskine er beregnet til rensning af snavs vha. vandstråle i hjemmet. Maskinen fungerer, så den forbedrer din vask, såvel som vanding af græsplæne og have, fordi den tilbyder valgbar sprøjte-type.

## SIKKERHEDSADVARSLER

### VIGTIGE SIKKERHEDSADVARSLER

**⚠ ADVARSEL:** Læs alle sikkerhedsadvarsler og alle sikkerhedsinstruktioner. Hvis nedenstående advarsler og instruktioner ikke overholdes, kan det medføre elektrisk stød, brand og/eller alvorlig personskade.

## Gem alle advarsler og instruktioner til fremtidig reference.

**ADVARSEL** - Ved brug af dette produkt skal de grundlæggende forholdsregler altid følges, herunder følgende:

### Sikkerhed i arbejdsområdet

1. Hold alle personer ude af anvendelsesområdet.
2. Undlad at strække dig for langt eller at stå på ustabile støtter. Opbehold til enhver tid godt fodfæste og balance.
3. Placer altid trykrenserens kabinet på en jævn og stabil overflade. Undgå områder, hvor det udstøede vand løber eller samles.
4. Kontroller omgivelserne og de genstande, der skal rengøres, før rensningen. Trykstråler

kan skrabe maling eller andre overfladebehandlingsmidler, herunder giftige kemikalier, væk. Træf om nødvendigt forebyggende forholdsregler.

5. Vær forsigtig med ikke at falde over trykrenserens slange. Vær altid opmærksom på slangekonfigurationen under brug.
6. Under brug løber der en smule vand ud fra under bunden af trykrenseren. Vær forsigtig med ikke at anvende maskinen over de områder, som du ikke ønsker skal blive våde.

### Personlig sikkerhed

1. For at beskytte mod strålen og genstande, der blæses af strålen, skal operatører bære passende tøj som f.eks. sikkerhedsstøvler, sikkerhedshandsker, sikkerhedshjelme med visir, høreværn osv.
2. Bær personligt beskyttelsesudstyr. Afhængigt af anvendelsen skal du anvende ansigtsskærm, beskyttelsesbriller eller sikkerhedsbriller som øjenbeskyttelse, der er i stand til at stoppe flyvende materialer, der dannes under forskellige betjening.
3. Brug ikke trykrenseren inden for rækkevidde af personer, medmindre de bærer beskyttelsestøj.
4. For at reducere risikoen for personskade kræves der nøje overvågning, når produktet anvendes i nærheden af børn.
5. Hvis der oprettes tilslutning til en drikkevandsforsyning, skal systemet sikres mod tilbageløb.
6. Vand, der er løbet ud af tilbageløbssikringen, må ikke drikkes.

### Elektrisk sikkerhed

1. Rør aldrig akkuerne med våde hænder.
2. Brug ikke apparatet, hvis de vigtige dele af apparatet er beskadiget, for eksempel sikkerhedsanordninger, trykslanger.
3. Undgå farlige miljøer. Brug ikke maskinen på fugtige eller våde steder, og udsæt den ikke for regn. Hvis der kommer vand ind i maskinen, forøger det risikoen for elektrisk stød.

### Brug og vedligeholdelse af maskinen

1. Læs alle instruktioner, før du bruger produktet.
2. Vær klar over, hvordan du stopper trykrenseren og hurtigt aflader trykket. Vær helt bekendt med kontrollerne.
3. Sprøjt ikke brændbare og/eller giftige væsker. Dette kan medføre eksplosion, forgiftning eller beskadigelse af apparatet.
4. Ret ikke strålen mod dig selv eller andre for at rengøre tøj eller fodtøj.
5. Trykslanger, fittings og sammenkoblinger er vigtige for apparatets sikkerhed. Brug kun slanger, fittings og sammenkoblinger, som producenten anbefaler.
6. Følg instruktionerne ved udskiftning af tilbehør.
7. Hold håndtag tørre, rene og fri for olie og fedt.
8. Vær opmærksom - hold øje med det, du foretager dig.
9. Anvend ikke produktet, hvis du er træt eller påvirket af alkohol eller narkotika.

10. Lad ikke trykrenseren køre uden vand i mere end ét minut. Dette vil beskadige motoren og medføre fejlfunktion.
11. Sluk altid for strømmen, og luk for vandledningen, når du lader trykrenseren ligge uovervåget.
12. Vær opmærksom på tilbageslag. Apparatet slår tilbage, når trykstrålen udsendes fra dysen. Hold godt fast i apparatet for at undgå personskader ved uheld.
13. Kontroller for beskadigede eller slidte dele før brugen. Kontroller også, at slangen er tilkoblet korrekt, og at der ikke er lækage under brugen. Brug af apparatet med funktionsdefekter kan medføre en ulykke.
14. Undlad at trække i slangen for at flytte trykrenserens kabinet. Dette vil beskadige slangen og tilkoblingsdelene og medføre en kortslutning eller funktionsfejl.
15. Undlad at stille tunge genstande oven på slangen eller at lade køretøjer køre over den.
16. Udløs altid resttrykket i apparatet, før du frakobler slangen.
17. Når slangen kobles til vandforsyningen, skal du overholde det lokale vandforsynings-selskabs eller vandværks instruktioner.
18. Hvis trykrenseren tabes, eller støder mod en hård genstand, skal du sørge for at kontrollere for skader og revner. Brug af en beskadiget trykrenser kan muligvis udvikle røg, brand eller forårsage elektrisk stød, hvilket kan resultere i personskade.
19. Forebyg utilsigtet start. Sørg for, at afbryderen er slået fra, før du tilslutter til en akku, løfter eller bærer apparatet. Hvis du bærer apparatet med fingeren på afbryderen, eller hvis du sætter strøm til apparatet, mens afbryderen er slået til, kan det medføre uheld.
20. Afbryd akkuen fra apparatet, før du foretager nogen ændringer, skifter tilbehør eller gemmer apparatet af vejen. Sådanne forebyggende sikkerhedsforanstaltninger mindsker risikoen for, at apparatet starter ved et uheld.
21. Du skal ikke ændre eller forsøge på at reparere apparatet eller akkuen, undtagen som angivet i instruktionerne for brug og vedligeholdelse.
22. ADVARSEL - Risiko for injektion eller personskade - Ret ikke udledningsstrålen mod personer.
23. Sikr dig, at en genstand eller et område, som skal rengøres, er modstandsdygtig over for vand. Ellers kan det forårsage skade på emnet eller stedet med personskade til følge.

#### Brug og vedligeholdelse af batteriet

1. Oplad kun med den oplader, som producenten angiver. En oplader, der passer til én type batteri, kan forårsage brand, hvis den anvendes med et andet batteri.
2. Brug kun el-værktøjer sammen med de tilhørende batteripakker. Brug af andre batteripakker kan forårsage personskade og brand.
3. Når batteripakker ikke anvendes, skal de holdes borte fra andre metalgenstande som papirclips, mønter, nøgler, søm, skruer og

andre små metalgenstande, der kan skabe forbindelse mellem terminalerne. Hvis batteriets terminaler kortsluttes, kan det forårsage brand.

4. I tilfælde af misbrug kan det sprøjte væske ud fra batteriet. Undgå kontakt. Skyl med vand, hvis De kommer i kontakt med væsken. Sørg læge, hvis De får væske i øjet. Væske, der sprøjter ud fra batteriet, kan medføre irritation eller forbrændinger.
5. Undlad at bruge en akku eller maskine, der er beskadiget eller ændret. Beskadigede eller ændrede batterier kan fungere uforudsigeligt og medføre brand, eksplosion eller risiko for personskade.
6. Undlad at udsætte en akku eller maskine for brand eller høje temperaturer. Udsættelse for brand eller temperaturer på over 130 °C kan medføre eksplosion.
7. Følg alle instruktioner vedrørende opladning, og undlad at oplade akkuen eller maskinen uden for det temperaturinterval, der er angivet i instruktionerne. Opladning, der udføres forkert eller ved temperaturer uden for det angivne temperaturinterval, kan beskadige batteriet og medføre øget risiko for brand.

#### Service

1. Følg de vedligeholdelsesinstruktioner, der er angivet i denne brugsanvisning.
2. For at garantere apparatets sikkerhed må du kun bruge originale reservedele fra producenten, eller som er godkendt af producenten.
3. Få udført service på trykrenseren hos en kvalificeret mekaniker, og brug kun identiske udskiftingsdele. Dette sikrer, at trykrenserens sikkerhed opretholdes.
4. Hvis der opstår nedbrud eller fejlfunktion i trykrenseren, skal du med det samme slukke for den og fjerne akkuen/akkuerne. Kontakt din lokale forhandler eller dit lokale servicecenter.

#### Supplerende sikkerhedsforskrifter

1. Brug ikke maskinen, hvis der er risiko for lynnedslag.
2. Vær opmærksom på dit fodfæste, når du bruger maskinen på mudret jord, en våd skråning eller et glat sted.
3. Undlad at arbejde i et dårligt arbejdsmiljø, hvor øget brugertræthed kan forventes.
4. Undlad at udskifte batteriet i regnvejr.
5. Undlad at nedsænke maskinen i en vandpyt.
6. Undgå direkte sollys og regn ved opbevaring af maskinen, og opbevar den på et sted, hvor det ikke bliver varmt eller fugtigt.
7. Når maskinen har været i brug, skal du fjerne fastsiddende snavs og tørre maskinen fuldstændigt, før den opbevares. Afhængig af årstiden eller området er der risiko for fejlfunktion på grund af frost.
8. Undgå at gøre batteriets terminal våd med væske såsom vand, eller nedsænke batteriet. Undlad at lade batteriet ligge i regnvejr eller at oplade, bruge eller opbevare batteriet på et fugtigt eller vådt sted. Hvis terminalen bliver våd, eller der kommer væske ind i batteriet, kan batteriet blive kortslettet, og der er risiko for overophedning, brand eller eksplosion.

9. Når du har fjernet batteriet fra maskinen eller opladeren, skal du sørge for at fastgøre akku-dækslet på batteriet og opbevare det på et tørt sted.
10. Undlad at udskifte batteriet med våde hænder.
11. Hvis apparatet er frosset pga. koldt vejr, skal du kontakte et autoriseret serviceværksted for reparation.
12. Brug ikke en ledningsbaseret strømforsyning som fx en batteriadapter eller bærbar strømforsyning med dette apparat. Ledningen til sådan en strømforsyning kan hindre brugen og forårsage personskade.
10. De indbyggede litium-ion-batterier er underlagt lovkrav vedrørende farligt gods. Ved kommerciel transport, f.eks. af tredjeparts transportselskaber, skal særlige krav til forpakning og mærkning overholdes. Ved forberedelse af udstyret til forsendelse skal du kontakte en ekspert i farligt gods. Overhold også eventuel mere detaljeret national lovgivning. Tape eller tildæk åbne kontakter, og pak batteriet på en måde, så det ikke kan flytte sig rundt i pakningen.
11. Når akkuen bortskaffes, skal du fjerne den fra maskinen og bortskaffe den på et sikkert sted. Følg de lokale love vedrørende bortskaffelsen af batterier.

## GEM DENNE BRUGSANVISNING.

**⚠ ADVARSEL:** LAD IKKE bekvemmelighed eller kendskab til produktet (opnået gennem gentagen brug) forhindre, at sikkerhedsforskrifterne for produktet nøje overholdes.

MISBRUG eller forsømmelse af at følge de i denne brugsvejledning givne sikkerhedsforskrifter kan føre til, at De kommer alvorligt til skade.

### Vigtige sikkerhedsinstruktioner for akkuen

1. Læs alle instruktioner og advarselmærkater på (1) akku-opladeren, (2) akkuen og (3) produktet, som anvender akku.
2. Adskil eller ændr ikke akkuen. Det kan muligvis resultere i en brand, overdreven varme eller eksplosion.
3. Hold straks op med anvendelsen, hvis brugstiden er blevet stærkt afkortet. Fortsat anvendelse kan resultere i risiko for overophedning, forbrændinger og endog eksplosion.
4. Hvis De har fået elektrolytvæske i øjnene, skal De straks skylle den ud med rent vand og derefter øjeblikkeligt søge lægehjælp. I modsat fald kan De miste synet.
5. Vær påpasselig med ikke at komme til at kortslutte akkuen:
  - (1) Rør ikke ved terminalerne med noget ledende materiale.
  - (2) Undgå at opbevare akkuen i en beholder sammen med andre genstande af metal, for eksempel søm, mønter og lignende.
  - (3) Udsæt ikke akkuen for vand eller regn. Kortslutning af akkuen kan forårsage en kraftig øgning af strømmen, overophedning, mulige forbrændinger og endog værktøjstop.
6. Opbevar og brug ikke maskinen og akkuen på steder, hvor temperaturen muligvis kan nå eller overstige 50 °C.
7. Lad være med at brænde akkuen, selv ikke i tilfælde, hvor den har lidt alvorlig skade eller er fuldstændig udtjent. Akkuen kan eksplodere, hvis man forsøger at brænde den.
8. Slå ikke søm i, skær ikke i, knus, kast, tab ikke akkuen og stød ikke akkuen mod en hård genstand. Sådan adfærd kan muligvis resultere i en brand, overdreven varme eller eksplosion.
9. Anvend ikke en beskadiget akku.

11. Når akkuen bortskaffes, skal du fjerne den fra maskinen og bortskaffe den på et sikkert sted. Følg de lokale love vedrørende bortskaffelsen af batterier.
12. Brug kun batterierne med de produkter, som Makita specificerer. Hvis batterierne installeres i ikke-kompatible produkter, kan det medføre brand, kraftig varme, eksplosion eller udsivning af elektrolyt.
13. Hvis maskinen ikke skal bruges i længere tid ad gangen, skal du fjerne batteriet fra maskinen.
14. Akkuen kan muligvis under og efter brug være varm, hvilket kan forårsage forbrændinger eller lavtemperaturforbrændinger. Vær påpasselig med håndtering af varme akkuer.
15. Rør ikke terminalen på maskinen straks efter brug, da den bliver varm nok til at forårsage forbrændinger.
16. Sørg for, at spåner, støv eller jord ikke sætter sig fast i akkuens terminaler, huller og riller. Det kan forårsage opvarmning, antændelse, sprængning og funktionsfejl i maskinen eller akkuen, hvilket kan medføre forbrændinger eller personskade.
17. Medmindre maskinen understøtter brugen i nærheden af elektriske højspændingsledninger, skal du ikke anvende akkuen i nærheden af elektriske højspændingsledninger. Det kan muligvis medføre funktionsfejl på eller nedbrud af maskinen eller akkuen.
18. Opbevar batteriet utilgængeligt for børn.

## GEM DENNE BRUGSANVISNING.

**⚠ FORSIGTIG:** Brug kun originale batterier fra Makita. Brug af uoriginale Makita-batterier, eller batterier som er blevet ændret, kan muligvis medføre brud på batteriet, hvilket kan forårsage brand, personskade eller beskadigelse. Det ugyldiggør også Makita-garantien for Makita-maskinen og opladeren.

### Tips til opnåelse af maksimal akku-levetid

1. Oplad akkuen, inden den er helt afladet. Stop altid værktøjet, og oplad akkuen, hvis De bemærker, at værktøjeffekten er aftagende.
2. Genoplad aldrig en fuldt opladet akku. Overopladning vil afkorte akkuens levetid.
3. Oplad akkuen ved stuetemperatur ved 10 °C - 40 °C. Lad altid en varm akku få tid til at køle af, inden den oplades.
4. Når du ikke anvender akkuen, skal du fjerne den fra maskinen eller opladeren.
5. Oplad akkuen, hvis De ikke skal bruge den i længere tid (mere end seks måneder).



# FUNKTIONSBESKRIVELSE

**⚠️FORSIGTIG:** Sørg altid for at maskinen er slukket, og at akkuen er taget ud, før der udføres justering eller kontrol af funktioner på maskinen.

## Isætning eller fjernelse af akkuen

**⚠️FORSIGTIG:** Sluk altid for værktøjet, før De monterer eller fjerner akkuen.

**⚠️FORSIGTIG:** Hold værktøjet og akkuen fast ved montering eller fjernelse af akkuen. Hvis De ikke holder værktøjet og akkuen fast, kan de glide ud af hænderne på Dem og forårsage beskadigelse af værktøjet og akkuen eller personskade.

**⚠️FORSIGTIG:** Pas på ikke at få fingrene i klemme, når du åbner eller lukker batteridækslet.

Åbn dækslet mens du trykker på låsehåndtaget.

► **Fig.1:** 1. Dæksel 2. Låsehåndtag

Juster tungen på akkuen med rillen i huset, og skub den på plads. Sæt den hele vejen ind, indtil den låses på plads med et lille klik. Hvis du kan se den røde indikator, som vist i figuren, er den ikke helt låst.

► **Fig.2:** 1. Rød indikator 2. Knap 3. Akku

Sørg for at lukke dækslet efter installation eller fjernelse af akkerne.

For at fjerne akkuen skal du åbne dækslet, skubbe akkuen af maskinen, mens du trykker ind på knappen foran, og derefter lukke dækslet.

**⚠️FORSIGTIG:** Monter altid akkuen helt, indtil den røde indikator ikke længere er synlig. Hvis dette ikke gøres, kan den falde ud af værktøjet ved et uheld, hvorved De selv eller personer i nærheden kan komme til skade.

**⚠️FORSIGTIG:** Brug ikke magt ved montering af akkuen. Hvis akkuen ikke glider på plads uden problemer, betyder det, at den ikke sættes i på korrekt vis.

**⚠️FORSIGTIG:** Sørg for, at du låser dækslet inden brugen.

## Beskyttelsessystem til værktøj/batteri

Maskinen er udstyret med et maskine-/batteribeskyttelsessystem. Dette system afbryder automatisk strømmen til motoren for at forlænge maskinens og batteriets levetid. Maskinen stopper automatisk med indikation, hvis maskinen eller batteriet udsættes for et af følgende forhold:

► **Fig.3:** 1. Indikator

## Overbelastningsbeskyttelse

Når maskinen eller batteriet bruges på en måde, der får den/det til at trække en unormalt høj strøm, stopper maskinen automatisk, og den røde indikator lyser. I denne situation skal du slukke for maskinen og stoppe den anvendelse, der forårsagede overbelastningen af maskinen. Tænd derefter maskinen for at starte den igen.

## Beskyttelse mod overophedning

Hvis maskinen eller batteriet er overophedet, stopper maskinen automatisk, og den røde indikator lyser. I denne situation skal du lade maskinen køle ned, før du tænder maskinen igen.

## Beskyttelse mod overafledning

Når batteriladningen bliver lav, blinker den røde indikator. Når batteriet er tæt på at være tomt, stopper maskinen automatisk, og den røde indikator lyser. I så fald skal du afmontere batteriet fra maskinen og oplade batteriet.

## Beskyttelse mod andre årsager

Beskyttelsessystemet er også designet til andre årsager, der kan beskadige maskinen og gør det muligt for maskinen at stoppe automatisk. Træf alle følgende foranstaltninger for at fjerne årsagerne, når maskinen midlertidigt er blevet bragt til standsning eller stoppet i drift.

1. Sluk for maskinen, og tænd den igen for at genstarte.
2. Oplad batteriet/batterierne, eller udskift det/dem med genopladet/genopladede batteri/batterier.
3. Lad maskinen og batteriet/batterierne køle ned.

Hvis der ikke kan findes nogen forbedring ved at genoprette beskyttelsessystemet, skal det lokale Makita-servicecenter kontaktes.

**BEMÆRKNING:** Hvis maskinen stopper på grund af en årsag, der ikke er beskrevet ovenfor, skal du se afsnittet for fejlfinding.

## Indikation af den resterende batteriladning

### Kun til akker med indikatoren

Tryk på kontrolknappen på akkuen for at få vist den resterende batteriladning. Indikatorlampen lyser i nogle sekunder.

► **Fig.4:** 1. Indikatorlamper 2. Kontrolknap

| Indikatorlamper |         |         | Resterende ladning                |
|-----------------|---------|---------|-----------------------------------|
| Tændt           | Slukket | Blinker |                                   |
| ■ ■ ■ ■         |         |         | 75% til 100%                      |
| ■ ■ ■ □         |         |         | 50% til 75%                       |
| ■ ■ □ □         |         |         | 25% til 50%                       |
| ■ □ □ □         |         |         | 0% til 25%                        |
| ▬ □ □ □         |         |         | Genoplad batteriet.               |
| ■ ■ □ □         |         |         | Der er muligvis fejl i batteriet. |
| □ □ ■ ■         |         |         |                                   |

**BEMÆRK:** Afhængigt af brugsforholdene og den omgivende temperatur kan indikationen afvige en smule fra den faktiske ladning.

**BEMÆRK:** Den første indikatorlampe (længst mod venstre) vil blinke, når batteribeskyttelsessystemet aktiveres.

## Skift af tryktilstand

Vælg din ønskede tryktilstand ved at skyde knappen til skift fremad eller bagud.  
Træk knappen bagud for lavtrykstilstand, så et nummer-symbol "1" kan læses på knappen.  
Skub knappen fremad for højtrykstilstand, så et nummer-symbol "2" kan læses på knappen.  
► **Fig.5:** 1. Lavtrykstilstand (1) 2. Højtrykstilstand (2)  
3. Knap til skift af tryktilstand

## Afbryderknap

Trykrenseren anvender en sikkerhedslås på afbryderen. For at ophæve afbryderlåsen skal du trykke låseknappen ind i afbryderen, så overfladen af afbryderen bliver flad.

Tryk på afbryderknappen for at udsende en vandstråle. Strålen fortsætter, så længe der trykkes på afbryderen.  
► **Fig.6:** 1. Afbryderknap 2. Låseknop

Tryk låseknappen inde i afbryderen ud igen for at aktivere afbryderlåsen.

Sørg for at låse afbryderen, når trykrenseren ikke er i brug.

► **Fig.7:** 1. Afbryderknap 2. Låseknop

## Dysefunktioner

Multimønster-sprøjtedyse (5-i-1) har en række af sprøjtømønstre, som du kan justere afhængigt af dine vaskebehov. Ved at kombinere fem af de mest anvendte sprøjtømønstre i en dyse, behøves du ikke længere skifte fra en til den næste, men blot dreje ind på det rigtige sprøjtømønster til din opgave.

**Nemt skift af dyser, 0°, 15°, 25°, 40° og brusere**  
► **Fig.8**

► **Fig.9:** 1. Symbol for sprøjtømønster  
2. Trekantsmærke

Drej dysehovedet til venstre eller højre til den ønskede position for sprøjtømønsteret. Ret det symbol for sprøjtømønster, du vil vælge, korrekt ind efter trekantsmærket, så dysehovedet låses med et klik.

► **Fig.10**

**BEMÆRKNING:** Pas på ikke at indstille dysehovedet i en uklikket position. Ellers kan maskinen muligvis lave irregulære sprøjtømønstre, hvilket resulterer i vandlækager.

**⚠FORSIGTIG:** Prøv at undgå at rotere dysens kabinet, samtidigt med du skifter sprøjtømønstre. Dysen kan falde af maskinens kabinet og forårsage personskade.

## Sikkerhedsventil

Denne maskine er udstyret med en sikkerhedsventil, der forebygger unødigt overtryk.

**⚠FORSIGTIG:** Undlad at ændre eller justere sikkerhedsventilens indstilling.

## SAMLING

**⚠FORSIGTIG:** Sørg altid for at maskinen er slukket, og at akkuen er taget ud, før der udføres noget arbejde på maskinen.

## Installering af dyse og lanseforlænger

**⚠FORSIGTIG:** Lås altid afbryderknappen, mens du monterer/afmonterer en dyse og et forlængerrør.

### Dyse

Ret styrfremspringene på enden af dysen ind med låseslidserne i maskinhuset. Tryk dysen helt ind, indtil de to trekantsmærker på dysen og huset er vendt mod hinanden. Drej derefter dysen i den retning, som er vist på figuren, for at aktivere låsen.

Når du har monteret dysen, skal du prøve at trække den tilbage for at sikre, at den holdes sikkert på plads.

► **Fig.11:** 1. Dyse 2. Styrfremspring 3. Låseslids  
4. Trekantsmærke 5. Bugfinnerlignende omrids

**BEMÆRK:** Sørg for at dreje et bugfinnerlignende omrids, så det vender nedad.

For at afmontere dysen skal du trykke og holde dysen mod maskinhuset, og derefter dreje det i modsat retning, indtil de to trekantsmærker er vendt mod hinanden. Træk dysen ud fra maskinhuset, efter det er låst op.

### Lanseforlænger

Vanding af sværttilgængelige steder. Installer lanseforlænger mellem maskinhuset og dysen ved at følge de samme trin, som der er beskrevet for dyseinstallation.

► **Fig.12:** 1. Lanseforlænger 2. Maskinhus  
3. Dyse 4. Styrfremspring 5. Låseslids  
6. Trekantsmærke

For at afmontere tilbehørene skal du trykke og holde spidstilbehøret mod monteringsstilbehøret/huset, og derefter dreje det i modsat retning, indtil de to trekantsmærker er vendt mod hinanden. Træk spidstilbehøret ud fra monteringsstilbehøret/huset, efter det er låst op.

## Tilslutning til beholdervandforsyning

**BEMÆRKNING:** Brug altid den tryksslange og si, som følger med denne maskine, til at forsyne vand.

**BEMÆRKNING:** Hold altid en højde på 2,0 m eller derunder mellem indløbet på trykrenseren og vandoverfladen. Ellers kan trykrenseren ikke suge vandet op i pumpen.

**BEMÆRKNING:** Sørg for at fylde en vandbeholder op til mere end 25 mm fra bunden og sænk sien helt ned i vandet.

Der kan forsynes vand fra en beholder/et reservoir af en hver størrelse.

En beholder, som forsyner vand, håndterer sådanne trykvaskesituationer som fx bilvask og havearbejde m.v., hvor vand ikke er til rådighed, og det er nødt til at blive transporteret til vaskeområdet eller -stedet.

1. Monter sien til den ene ende af trykslangen.

Sæt udløbet på sien ind i koblingsmuffen og skub den igennem, indtil sien er fastgjort på plads.

► **Fig.13:** 1. Si 2. Koblingsmuffe 3. Tryksslange

2. Efterlad sien på bunden af vandbeholderen.

► **Fig.14:** 1. Si 2. Tryksslange 3. Slangekrog

**BEMÆRK:** Hæng slangen langs åbningen vha. en medfølgende slangekrog, så sien sidder ubevægelig i bunden af beholderen.

3. Monter den anden ende af slangen til tilkoblingen på vandslangen på trykrenseren.

Placer koblingsmuffen over indløbet på tilkoblingen og skub den igennem, indtil koblingsmuffen er fastgjort på plads.

► **Fig.15:** 1. Koblingsmuffe 2. Tilkobling på vandslange

**⚠FORSIGTIG:** Sørg for, at højtryksslangen er fast tilkoblet. En løs forbindelse kan blæse højtryksslangen af, hvilket kan medføre personskaade.

**BEMÆRKNING:** Lad der komme vand ind i trykrenseren og slangen på forhånd, når som helst du skal løfte vand fra en bestemt dybde i højtrykstilstanden.

## Tilslutning til vandledningsforsyning

**⚠FORSIGTIG:** Brug altid den tryksslange, som følger med denne maskine, til at forsyne vand.

**BEMÆRKNING:** Hvis du tilkobler til drikkevandsforsyningen, skal du benytte en ventil til tilbageløbssikring, der overholder lovgivningen i dit område.

**BEMÆRKNING:** Bevar et tilførselstryk for indløbsvandet på mindre end 0,5 MPa for fin tilførsel. Overstig ikke det maksimale tilførselstryk, da det muligvis kan forårsage vandlækager, når maskinen stopper med at arbejde.

Vand kan forsynes fra vandledninger, som er til rådighed på vaskeområdet eller -stedet.

En kontinuerlig vandforsyning gør, at du ikke behøver at tænke på at genopfylde vand og muliggør effektiv rengøring af hjemmet og havearbejde, som fx punktrensning, spuling, samt vanding af større område med græs eller vegetation.

1. Tilslut trykslangen til vandhanen.

Anvend en passende fitting, som f.eks. en vandhansamling, til at fastgøre slangeenden til vandhanen.

► **Fig.16:** 1. Vandhansamling 2. Koblingsmuffe 3. Tryksslange

**BEMÆRK:** Typen af fitting afhænger af formen på den vandhane, du tilkobler til. Forbered en passende kommercielt anskaffet fitting.

2. Monter den anden ende af slangen til tilkoblingen på vandslangen på trykrenseren.

Placer koblingsmuffen over indløbet på tilkoblingen og skub den igennem, indtil koblingsmuffen er fastgjort på plads.

► **Fig.17:** 1. Koblingsmuffe 2. Tilkobling på vandslange

## Installation af skumdysse

### Ekstraudstyr

**⚠FORSIGTIG:** Lås altid afbryderknappen, mens du monterer/afmonterer ekstraudstyrstilbehør.

**BEMÆRKNING:** Brug kun neutrale rengøringsmidler. Brug ikke rengøringsmidler til husholdningsbrug, sure rengøringsmidler, basiske rengøringsmidler, blegemidler, opløsningsmidler, brændbart materiale eller opløsninger til industrielt brug, som kan beskadige din maskine eller din ejendom. Klargør rengøringsopløsning som anvist på opløsningsflasken, og test den altid på forhånd på et diskret sted.

**BEMÆRKNING:** Hvis der anvendes et rengøringsmiddel med høj viskositet, har dysen tendens til at tilstoppe. Når rengøringsmidlet med høj viskositet anvendes, skal du fortynde rengøringsmidlet ved at tilføje vand til flasken inden brug.

**BEMÆRK:** Når du anvender skumdysen, fortyndes rengøringsmidlet i flasken med det vand, som forsynes af maskinen, og sprøjtes. Du behøver ikke at fortynde koncentrationen af rengøringsmidlet i flasken mere end nødvendigt. Juster koncentrationen på rengøringsmidlet, mens du kontrollerer anvendelsesforholdene.

**BEMÆRK:** Hvis skumdysen lægges på dens side, kan rengøringsmidlet muligvis løbe ud.

Forbered et rengøringsmiddel, før du bruger skumdysen.

1. Fyld beholderen med rengøringsmiddel. Fastgør dysen på beholderen og tilspænd omhyggeligt låget.

2. Hold skumdysen på skrå for at rette dens styrfremspring ind med låseslidserne i maskinhuset. Tryk dysen hele vejen ind og hold den på plads. Drej derefter skumdysen i den retning, som er vist på figuren, for at aktivere låsen.

► **Fig.18:** 1. Skumdysse 2. Beholder 3. Styrfremspring 4. Låseslids

Når du har monteret dysen, skal du prøve at trække den tilbage for at sikre, at den holdes sikkert på plads.

3. Drej på drejeknappen for rengøringsmiddel for at justere sugemængden for rengøringsmiddelopløsningen.

- **Fig.19:** 1. Drejeknap for rengøringsmiddel  
2. Drejeknap på minimum 3. Drejeknap på maksimum

## Montering af ekstraudstyr

### Ekstraudstyr

**⚠FORSIGTIG:** Lås altid afbryderknappen, mens du monterer/afmonterer ekstraudstyrtilbehør.

Ret styrfremspringene på en ekstraudstyrdisse ind med låseslidserne i maskinhuset. Tryk dysen hele vejen ind og hold den på plads. Drej derefter dysen i den retning, som er vist på figuren, for at aktivere låsen.

Når du har monteret dysen, skal du prøve at trække den tilbage for at sikre, at den holdes sikkert på plads.

- **Fig.20:** 1. Dyser 2. Styrfremspring 3. Låseslids

For at afmontere dysen skal du trykke og holde dysen mod maskinhuset, og derefter dreje den i modsat retning for at ophæve låsen. Træk dysen ud af trykreenser, efter den er blevet låst op.

## Montering af adapter til plastikflaske

### Ekstraudstyr

**⚠FORSIGTIG:** Lås altid afbryderknappen, mens du monterer/afmonterer ekstraudstyrtilbehør.

**⚠FORSIGTIG:** Sørg for, at du monterer adapteren til plastikflaske ordentligt på trykreenser og plastikflasken. Gør du ikke dette, kan det muligvis forårsage, at flasken vælter med personskaade til følge.

**BEMÆRK:** En 2 liter (halv gallon) plastikflaske kan foretrækkes til at indeholde vand.

1. Fyld vand i en plastikflaske.
2. Før røret til sugning ned gennem flaskeåbningen.
3. Monter adapteren til flasken ved at påskruer møtrikken på koblingsmuffen.
4. Monter adapteren til plastikflaske på tilkoblingen på vandslange på trykreenser.

Placer koblingsmuffen over indløbet på tilkoblingen og skub den igennem, indtil koblingsmuffen er fastgjort på plads.

- **Fig.21:** 1. Adapter til plastikflaske 2. Rør til sugning 3. Plastikflaske 4. Tilkobling på vandslange

## ANVENDELSE

**⚠ADVARSEL:** Undlad at berøre vandstrålen eller at rette den mod dig selv eller andre. Vandstrålen er farlig og kan skade dig selv eller andre.

**⚠ADVARSEL:** Når vandstrålen udsendes, må du aldrig holde den genstand, du renses, eller placere dine hænder eller fødder i nærheden af vandstrålen.

**⚠FORSIGTIG:** Lad ikke trykreenser køre uden vand i mere end 1 minut(ter).

**⚠FORSIGTIG:** Brug ikke trykreenser i længere tid ad gangen. Dette kan medføre overophedning eller brand. Længerevarende brug kan også medføre vibrationsfejl.

**⚠FORSIGTIG:** Vær opmærksom på vindens retning. Hvis du får rengøringsmiddel i øjnene eller munden, skal du med det samme skylle med rent vand og om nødvendigt søge læge.

**BEMÆRKNING:** For at beskytte trykreenserens mekanisme må du ikke bruge vand, der er varmere end 40°C (104°F).

**BEMÆRKNING:** Undlad at bruge ubehandlet vandforsyning, som f.eks. flodvand, vand fra damme, sandet eller mudret vand. Ufiltreret snavset vand kan forårsage aflejring af uønsket materiale i pumpen, hvilket kan resultere i funktionsfejl.

### Vandløftehøjde

En lodret højde fra vandkilden til vandsugningsindløbet på trykreenser skal være inden for 2,0 m.

### Dybde for vandsamling

Fyld en beholder mere end 25 mm tykt fra bunden.

- **Fig.22:** 1. Vandløftehøjde 2. Dybde for vandsamling

### Trin i grundlæggende brug

1. Tilslut vandslangens indløb til vandforsyningen.
  2. Tilslut vandslangens udløb til trykreenser.
- **Fig.23**

3. Hvis det resterende vand i trykreenser er blevet udledt, siden den sidst blev anvendt, skal der ledes vand ind i trykslangen og trykreenser.

Led vand gennem slangen og rensere, indtil eventuel luft i dem, er blevet udledt.

- (1) Fjern dysen fra trykreenser.
  - (2) Sæt akkuen ind i trykreenser.
  - (3) Vælg højtrykstilstanden.
  - (4) Lås afbryderknappen op.
  - (5) Tryk og hold på afbryderknappen, indtil trykreenser udsender en stabil vandstråle.
- **Fig.24:** 1. Knap til skift af tryktilstand

Efter du har ledt luftløse ud af trykreenser og slangen, skal du slippe afbryderknappen.

Fjern akkuen fra trykreenser og monter den dysse, som passer til dit formål.

4. Åbn dækslet og installer akkuen i trykreenser, og lås derefter dækslet.

- **Fig.25:** 1. Akku 2. Dæksel

**⚠FORSIGTIG:** Pas på ikke at få fingrene i klemme, når du åbner eller lukker batteridækslet.

5. Vælg din ønskede tryktilstand. Lås derefter afbryderknappen op.

- **Fig.26:** 1. Knap til skift af tryktilstand  
2. Afbryderknap 3. Låseknap

6. Ret dysehovedet mod vandingsområdet eller -stedet. Tryk på afbryderknappen.

Vandstrålen fortsætter, så længe der trykkes på afbryderen.

► **Fig.27**

► **Fig.28**

**⚠FORSIGTIG:** Hold godt fast i trykrenseren. Maskinen slår tilbage, når du trykker på afbryderknappen.

**⚠FORSIGTIG:** Hold altid trykrenseren i grebet og cylinderen, når der udsendes vandstråle.

## Efter anvendelse

**⚠FORSIGTIG:** Følg altid den procedure, der er beskrevet i denne brugsanvisning, efter brugen af trykrenseren. Resttryk i trykrenseren kan medføre personskeade eller indvendig skade på pumpen.

1. Slip afbryderknappen og lås den vha. låseknappen.
2. Afbryd vandslangen fra vandforsyningen.  
► **Fig.29**
3. Lås afbryderknappen op og tryk på den, indtil det resterende vand i trykrenseren og slangen er udledt.  
► **Fig.30**

**BEMÆRKNING:** Lad ikke motoren køre i mere end 1 minut(ter).

4. Slip afbryderknappen og lås den vha. låseknappen. Fjern derefter batteriet fra trykrenseren.  
► **Fig.31:** 1. Låseknap 2. Akku
5. Afmonter trykslangen fra trykrenseren.  
► **Fig.32:** 1. Koblingsmuffe 2. Tilkobling på vandslange

**BEMÆRKNING:** For at undgå beskadigelse af trykslangen skal du fjerne det resterende vand i slangen før opbevaring.

## VEDLIGEHOLDELSE

**⚠FORSIGTIG:** Vær altid sikker på, at maskinen er slukket, og at akkuen er taget ud, inden du begynder at udføre inspektion eller vedligeholdelse.

**BEMÆRKNING:** Anvend aldrig benzin, rensbenzin, fortynder, alkohol og lignende. Det kan medføre misfarvning, deformation eller revner.

For at opretholde produktets SIKKERHED og PÅLIDELIGHED må reparation, vedligeholdelse eller justering kun udføres af et autoriseret Makita servicecenter eller fabrikksservicecenter med anvendelse af Makita reservedele.

## Rengøring af dyser

Brug rensespinden, en lille filagtig finger, til at fjerne tilstoppet snavs fra dyseåbningerne.

► **Fig.33:** 1. Rensespind 2. Dyse

**BEMÆRK:** For at opretholde den optimale ydeevne skal du rengøre dysen med jævne mellemrum.

**BEMÆRKNING:** Fjern ikke snavs eller rester med magt. Dette kan medføre personskeade eller beskadigelse af udgangshullet og medføre skæve strålevinkler eller dårlig ydeevne.

## Rengøring af filtre

Afmonter tilkoblingen på vandslangen fra trykrenseren. Fjern støv og snavs, som sidder fast på filteret.

► **Fig.34:** 1. Tilkobling på vandslange 2. Filter 3. Tætningssring

Adskil sien ved at skrue filterhuset af. Fjern støv og snavs, som sidder fast på filteret.

► **Fig.35:** 1. Filter 2. Filterhus

**BEMÆRK:** Rengør filteret regelmæssigt for at opretholde optimal ydeevne.

## FEJLFINDING

Udfør selv en inspektion, inden De anmoder om reparation. Hvis De opdager et problem, som ikke er forklaret i brugsanvisningen, må De ikke forsøge at adskille maskinen. Rådfør Dem i stedet med et autoriseret Makita Servicecenter, og brug altid originale Makita udskiftningsdele til reparationer.

| Unormal tilstand       | Sandsynlig årsag (fejl)                  | Afhjælpning  |
|------------------------|--|--|
| Renseren starter ikke. | Ingen elektricitet                       | Monter den opladede akku.                            |
|                        | Afbryderknappen er låst.                 | Lås afbryderknappen op.                              |
|                        | Beskadiget akku eller elektrisk kredsløb | Kontakt et autoriseret servicecenter for reparation. |

| Unormal tilstand                   | Sandsynlig årsag (fejl)                       | Afhjælpning   |
|------------------------------------|---|---|
| Ingen vandstråle / svag vandstråle | Ingen vandforsyning                           | Kontroller, at vandhanen er åben. Hvis der tilsluttes til beholdervandforsyning, skal der ledes vand ind i trykreuseren og slangen. |
|                                    | Dårlig vandforsyning                          | Tænd for vandhanen.   |
|                                    | Dårlig tilkobling af vandslange               | Kontroller tilkoblingen mellem trykreuseren og vandforsyningen.   |
|                                    | Deformeret eller slidt vandslange             | Ret slangen ud. Udskift den beskadigede vandslange med en ny.   |
|                                    | Tilstoppet slange eller dyse                  | Fjern blokeringen af slangen eller dysen.   |
|                                    | Tilstoppede filtre                            | Fjern støv eller snavs, som sidder på filterne i sien og tilkoblingen på vandslangen.   |
|                                    | Spild-/forurenede vand                        | Rengør vandsystemet og genopfyld med rent vand.   |
|                                    | Beskadiget eller slidt dyse                   | Udskift dysen.  |
|                                    | Fejlfunktion i pumpe eller ventil             | Kontakt et autoriseret servicecenter for reparation.  |
|                                    | Løs vandsamling                               | Tilspænd tilslutningen mellem vandslangen og koblingsmufferne.  |
|                                    | Lækager fra tilslutningen til vandforsyningen | Spænd tilslutningen mellem vandslangen og vandforsyningen til igen.   |
|                                    | Utilstrækkeligt installeret si                | Sæk sien fuldstændig ned i vandet.  |
| Der anvendes lavtrykstilstand      | Vælg højtrykstilstanden.                      |   |
| Ustabil vandstråle                 | Tilstoppet dyse                               | Fjern blokeringen i udgangshullet på dysen ved hjælp af rensespinden.   |
|                                    | Dårlig vandsugning                            | Kontroller vandslangen for eventuel lækage eller tilstopninger.   |
|                                    | Vandet er for varmt.                          | Tilfør koldere vand.  |
|                                    | Funktionsfejl i ventilen                      | Kontakt et autoriseret servicecenter for reparation.  |
| Unormal lyd                        | Vandet er for varmt.                          | Tilfør koldere vand.  |
| Vandlækage                         | Dårlig forbindelse                            | Kontroller tilkoblingen mellem trykreuseren og vandforsyningen.   |
|                                    | Mangelfuld dyseinstallation                   | Tryk dysen hele vejen ind. Drej derefter dysen, indtil den er låst ordentligt.  |
|                                    | Dysehovedet forbliver i en forkert position   | Indstil dysehovedet i en klikket position, hvor der tydeligt kan ses et symbol for spraymønster.                                    |
|                                    | Slidte tætninger                              | Kontakt et autoriseret servicecenter for reparation.  |

## EKSTRAUDSTYR

**⚠️FORSIGTIG:** Det følgende tilbehør og ekstraudstyr er anbefalet til brug med Deres Makita maskine, der er beskrevet i denne brugsanvisning. Anvendelse af andet tilbehør eller ekstraudstyr kan udgøre en risiko for personskaade. Anvend kun tilbehør og ekstraudstyr til det beskrevne formål.

Hvis De behøver hjælp ved valg af tilbehør eller ønsker yderligere informationer, bedes De kontakte Deres lokale Makita servicecenter.

**BEMÆRK:** Nogle ting på denne liste kan være inkluderet i værktøjspakken som standardtilbehør. Det kan være forskellige fra land til land.

### Skumdyse

► Fig.36

Rengøringsmiddel kan sprøjtes som skum.

### Vaskeborste

► Fig.37

En dyse, der er udstyret med en børste. Nyttig til at vaske snavs væk, mens der skrubbes med børsten.

### Vinkeldyse

► Fig.38

Et vinklet dysehoved kan rotere 360 grader, hvilket muliggør manøvrering og dækning, uden der er nogen døde vinkler.

### Adapter til plastikflaske

► Fig.39

Pump vand på flaske, og udtræk det nemt fra en plastikflaske. En vandflaske kan fungere som en vandkilde.

## BRĪDINĀJUMS

- Ierīci nedrīkst izmantot bērni. Bērni ir jāuzrauga, lai tie nerotaļātos ar ierīci.
- Šo ierīci nedrīkst izmantot personas (īpaši bērni) ar samazinātām fiziskām, uztveres vai psihiskām spējām, kā arī nepieredzējušas personas un personas, kas nepārzina ierīci, ja vien uzraudzību nenodrošina vai norādījumus par ierīces izmantošanu nesniedz persona, kas atbildīga par iepriekš minēto personu drošību.
- Augstspiediena ūdens strūklu nedrīkst vērst pret cilvēkiem, aprīkojumu, kurā ir elektriskais spriegums, kā arī pret pašu ierīci.
- Pirms ierīces regulēšanas vienmēr pārbaudiet, vai tā ir izslēgta un akumulatora kasetne – izņemta.
- Neizmantojiet ierīci, ja ir bojātas svarīgas tās detaļas, piem., drošības aprīkojums, augstspiediena šļūtenes.
- Informāciju par atbilstošiem piesardzības pasākumiem apkopes darbu laikā skatiet nodaļā par ierīces apkopi.
- Uzziniet normālo akumulatora lādēšanas temperatūras diapazonu. Izlasiet akumulatora kasetnes drošības norādījumus, lai uzzinātu piesardzības pasākumus attiecībā uz apiešanos ar akumulatoriem.
- Informāciju par atbilstošiem piesardzības pasākumiem ierīces uzstādīšanas laikā skatiet nodaļā par ierīces montāžu.
- Uzziniet maksimālo ūdens pieplūdes spiedienu. Tehnisko datu sadaļā izlasiet informāciju par pareizu pieslēgšanu ūdensapgādes tīklam.
- Vienmēr izmantojiet komplektā ar ierīci piegādātās šļūtenes. Izlasiet norādījumus sadaļā par montāžu, lai uzzinātu piesardzības pasākumus saistībā ar pieslēgšanu ūdensapgādes tīklam.
- Lietošanas laikā nedrīkst atvērt ūdens iepildes atveri. Ievērojiet norādījumus sadaļā par montāžu, lai uzturētu ūdens spiedienu.
- Nelietojiet peldbaseinos ar ūdeni.
- Ievērojiet vietējā ūdens piegādes uzņēmuma noteiktās prasības.
- Eiropas valstīm:  
saskaņā ar EN12729 (BA) iekārtu var pievienot arī pie dzeramā ūdens apgādes ūdensvada, ja ūdens pievades šļūtenē ir uzstādīts vārsts atplūdes novēršanai un noteces ierīce.

# SPECIFIKĀCIJAS

|  |  |                         |
|--|--|-------------------------|
| <b>Modelis:</b>  |  | <b>DHW180</b>           |
| Maks. ūdens caurplūde <sup>*1</sup><br>[Ūdens padeve no tvertnes / ūdens padeve no ūdensapgādes tīkla] |  | 3,0/5,3 l/min           |
| Ūdens caurplūde <sup>*2</sup>  | Augsta spiediena režīms  | 2,5 l/min               |
|  | Zema spiediena režīms  | 1,5 l/min               |
| Maks. darba spiediens  |  | 2,4 MPa                 |
| Darba spiediens <sup>*2</sup>  | Augsta spiediena režīms<br>[Ūdens padeve no tvertnes / ūdens padeve no ūdensapgādes tīkla] | 2,0/2,2 MPa             |
|  | Zema spiediena režīms<br>[Ūdens padeve no tvertnes / ūdens padeve no ūdensapgādes tīkla]   | 0,8/0,8 MPa             |
| Maks. padeves spiediens  |  | 0,5 MPa                 |
| Maks. padeves temperatūra  |  | 40 °C                   |
| Maks. sūkšanas augstums  |  | 2,0 m                   |
| Nominālais spriegums   |  | Līdzstrāva 18 V         |
| Izmēri <sup>*3</sup><br>[G x P x A]  |  | 888 mm x 99 mm x 239 mm |
| Svars  |  | 2,3–2,7kg               |

\*1: Bez uzgaļa

\*2: Izsmidzināšanas modelis 15°

\*3: Ar uzgali "Pieci vienā" un pagarinājumu

- Nepārtrauktās izpētes un izstrādes programmas dēļ šeit uzrādītās specifikācijas var tikt mainītas bez brīdinājuma.
- Atkarībā no valsts specifikācijas var atšķirties.
- Svars var būt atšķirīgs atkarībā no papildierīces(-ēm), tostarp akumulatora kasetnes. Tabulā ir attēlota vieglākā un smagākā kombinācija atbilstoši EPTA procedūrai 01/2014.

## Piemērotā akumulatora kasetne un lādētājs

|                     |   |
|---------------------|---|
| Akumulatora kasetne | BL1815N / BL1820B / BL1830B / BL1840B / BL1850B / BL1860B             |
| Lādētājs            | DC18RC / DC18RD / DC18RE / DC18SD / DC18SE / DC18SF / DC18SH / DC18WC |

- Daži no iepriekš norādītajiem lādētājiem un akumulatora kasetnēm var nebūt pieejami atkarībā no jūsu mītnes reģiona.

**⚠ BRĪDINĀJUMS:** Izmantojiet vienīgi iepriekš norādītās akumulatora kasetnes un lādētājus. Cita tipa akumulatora kasetņu un lādētāju izmantošana var radīt traumu un/vai aizdegšanās risku.

**⚠ BRĪDINĀJUMS:** Ar šo darbarīku neizmantojiet strāvas apgādi, kas pievienota ar vadu, piemēram, akumulatora adapteri vai pārnēsājamu barošanas bloku. Šāda veida strāvas apgādes ierīces strāvas vads var traucēt darbību, tādējādi izraisot traumas.

## Simboli

Tālāk ir attēloti simboli, kas var attiekties uz darbarīka lietošanu. Pirms darbarīka izmantošanas pārliecinieties, vai pareizi izprotat to nozīmi.



Izlasiet lietošanas rokasgrāmatu.



Esiet īpaši rūpīgs un uzmanīgs.





Tikai ES valstīm  
Tā kā šajā aprīkojumā ir bīstamas sastāvdaļas, elektrisko un elektronisko iekārtu, akumulatoru un bateriju atkritumi var negatīvi ietekmēt apkārtējo vidi un cilvēka veselību. Elektroierīces, elektroniskās ierīces un akumulatorus nedrīkst izmest kopā ar mājsaimniecības atkritumiem!  
Saskaņā ar Eiropas direktīvu par elektrisko un elektronisko iekārtu atkritumiem, akumulatoriem un baterijām, kā arī akumulatoru un bateriju atkritumiem un šīs direktīvas pielāgošanu valsts tiesību aktiem elektrisko un elektronisko iekārtu, bateriju un akumulatoru atkritumi ir jāglabā atsevišķi un jānogādā uz sadzīves atkritumu dalītās savākšanas vietu, ievērojot attiecīgos vides aizsardzības noteikumus.  
Par to liecina uz iekārtas redzams simbols ar pārsvītrotu atkritumu konteineru uz riteņiem.



Nepievienojiet dzeramā ūdens krānam.



Nevērsiet strūklu tieši pret cilvēkiem, tostarp sevi, dzīvniekiem un iedarbinātām elektroierīcēm.

## Paredzētā lietošana

Šis darbarīks paredzēts netīrumu tīrīšanai ar ūdens strūklu un izmantojams mājsaimniecībā. Nodrošinot maināmu izsmidzināšanas veidu, šis darbarīks spēj uzlabot mazgāšanu, kā arī zāliena un dārza laistīšanu.

## DROŠĪBAS BRĪDINĀJUMI

### SVARĪGI DROŠĪBAS BRĪDINĀJUMI

**BRĪDINĀJUMS:** Izlasiet visus drošības brīdinājumus un visus norādījumus. Brīdinājumu un norādījumu neievērošanas gadījumā var rasties elektriskās strāvas trieciens, ugunsgrēks un/vai nopietnas traumas.

## Glabājiet visus brīdinājumus un norādījumus, lai varētu tajos ieskatīties turpmāk.

**BRĪDINĀJUMS!** Izmantojot šo ierīci, vienmēr jāievēro galvenie piesardzības pasākumi, tostarp šādi:

### Drošība darba zonā

1. Raugieties, lai darba zonā nebūtu cilvēku.
2. Nesniedzieties pārāk tālu un nestāviet uz nestabilas pamatnes. Vienmēr stingri stāviet uz piemērota pamata un saglabājiet līdzsvaru.
3. Augstspiediena mazgātāja korpusam vienmēr jāatrodas uz līdzenas un stabilas virsmas. Izvairieties no vietām, kur izsmidzinātais ūdens varētu strauji tecēt vai uzkrāties.
4. Pirms mazgāšanas pārbaudiet apkārtni un mazgājamos priekšmetus. Augstspiediena strūkļa var noskrāpēt krāsu vai citus virsmas apstrādes materiālus, tostarp indīgas ķīmiskas vielas. Ja nepieciešams, veiciet profilaktiskus pasākumus.

5. Uzmanieties un neaizķerieties aiz augstspiediena mazgātāja šļūtenes. Darba laikā vienmēr paturiet prātā šļūtenes novietojumu.
6. Lietošanas laikā no augstspiediena mazgātāja apakšas iztek neliels ūdens daudzums. Neizmantojiet darbarīku vietās, kuras jūs nevēlaties saslapināt.

### Personiskā drošība

1. Lai aizsargātu sevi un priekšmetus no strūklas iedarbības, lietotājiem jāvalkā piemērots apģērbs, piemēram, aizsargapavi, aizsargcimdi, aizsargķiveres ar sejas aizsegu, dzirdes aizsardzības līdzekļi utt.
2. Izmantojiet individuālos aizsarglīdzekļus. Atkarībā no lietojuma izmantojiet sejas vairogu vai aizsargbrilles, jo acu aizsarglīdzekļi spēj aizturēt lidojošus grūzus, ko rada dažādi lietojumi.
3. Neizmantojiet augstspiediena mazgātāju, ja strūklas sniedzamības zonā atrodas cilvēki, ja vien viņi nevalkā aizsargtērpu.
4. Lietojot ierīci bērnu tuvumā, lai samazinātu miesas bojājumu risku, viņi ir stingri jāuzrauga.
5. Ja tiek veidots savienojums ar dzeramā ūdens sistēmu, ir jānodrošina sistēmas aizsardzība pret atplūdi.
6. Ūdens, kas izplūdis caur pretvārstu, nav dzerams.

### Elektrodrošība

1. Nepieskarieties akumulatoru kasetnēm ar mitrām rokām.
2. Neizmantojiet ierīci, ja ir bojātas svarīgas tās detaļas, piem., drošības aprīkojums, spiediena šļūtenes.
3. Izvairieties no bīstamas vides. Darbarīku neizmantojiet mitrās vai slapjās vietās un lietū. Ja darbarīkā iekļūds ūdens, palielināsies elektrotraumas rašanās draudi.

### Mehanizētā darbarīka lietošana un apkope

1. Pirms ierīces lietošanas izlasiet visus norādījumus.
2. Noskaidrojiet, kā ātri apturēt augstspiediena mazgātāju un atgaisot šļūtenes. Kārtīgi iepazīstiet vadības ierīces.
3. Nesmidziniet uzliesmojošus un/vai indīgus šķidrumus. Tas var izraisīt sprādzienu, saindēšanos vai ierīces bojājumus.
4. Nevērsiet strūklu tieši pret sevi vai citiem cilvēkiem, lai nomazgātu apģērbus vai apavus.
5. Augstspiediena šļūtenes, stiprinājumi un savienojumi ir svarīgi ierīces drošībai. Izmantojiet tikai ražotāja ieteiktās šļūtenes, stiprinājumus un savienojumus.
6. Mainot piederumus, ievērojiet norādījumus.
7. Uzturiet rokturus sausus un tīrus, raugieties, lai uz tiem nebūtu eļļas vai smērvielu.
8. Esiet modri — strādājiet uzmanīgi.
9. Nelietojiet ierīci, ja esat noguris vai atrodoties alkohola vai narkotisku vielu ietekmē.
10. Nedarbiniet augstspiediena mazgātāju bez ūdens ilgāk kā vienu minūti. Šāda rīcība bojā motoru, izraisot darbības traucējumus.
11. Atstājot augstspiediena mazgātāju bez uzraudzības, vienmēr izslēdziet to un atvienojiet no ūdensapgādes tīkla.

12. **Nemiet vērā atsitieni.** Ierīce raujas atpakaļ, kad no uzgaļa tiek izšauta ūdens strūkla. Turiet ierīci stingri, lai nepieļautu nejausus ievainojumus.
13. **Pirms lietošanas pārbaudiet, vai nav bojātu vai nodilušu daļu.** Tāpat pārliecinieties, vai šļūtene ir pareizi pievienota un vai darbības laikā nav noplūzu. Ierīces ekspluatācija ar funkcionāliem defektiem var izraisīt negadījumu.
14. **Nepārvietojiet augstspiediena mazgātāju, velkot to aiz šļūtenes.** Tā var sabojāt šļūteni un savienojuma detaļas, kā arī tas var izraisīt īssavienojumu vai darbības traucējumus.
15. **Nenovietojiet uz šļūtenes smagus priekšmetus un nebrauciet tai pāri ar transportlīdzekļiem.**
16. **Pirms šļūtenes atvienošanas vienmēr atbrīvojiet atlikušo spiedienu ierīcē.**
17. **Pievienojot šļūteni ūdensvadam, ievērojiet vietējā ūdensapgādes uzņēmuma norādījumus.**
18. **Ja augstspiediena mazgātājs nokrīt vai atsisas pret cietu objektu, pārbaudiet, vai tam nav bojājumu vai plaisu.** Bojāta augstspiediena mazgātāja izmantošana var izraisīt dūmošanu, aizdegšanos vai elektriskās strāvas triecienu, kas var radīt ievainojumus.
19. **Nepieļaujiet nejausu iedarbināšanu.** Pirms ierīces pievienošanas akumulatoram, pirms tās pacelšanas vai nešanas pārbaudiet, vai slēdzis ir izslēgšanas pozīcijā. Ierīces nešana ar pirkstu uz slēdža vai ierīces pievienošanas kontaktam, kad slēdzis ir ieslēgšanas pozīcijā, palielina negadījumu rašanās risku.
20. **Pirms ierīces regulēšanas, piederumu maiņas vai novietošanas tās uzglabāšanas vietā atvienojiet akumulatoru no ierīces.** Šādi piesardzības pasākumi novērsīs ierīces nejausu ieslēgšanu.
21. **Nepārvērojiet vai nemēģiniet labot ierīci vai akumulatoru veidos, kas nav norādīti ierīces lietošanas un apkopes norādījumos.**
22. **BRĪDINĀJUMS!** Traumas vai ievainojumu risks — nevērsiet ierīces ķēdi pret personām.
23. **Pārliecinieties, vai mazgājama priekšmets vai zona ir noturīga pret ūdens strūklu.** Citādi var rasties priekšmeta vai darba zonas bojājumi, kas var izraisīt traumas.

#### **Bezvada darbarīka lietošana un apkope**

1. **Uzlādei izmantojiet tikai ražotāja norādītos lādētājus.** Vienam akumulatoru tipam paredzēta uzlādētāja izmantošana cita tipa akumulatoru uzlādei var radīt aizdegšanās bīstamību.
2. **Izmantojiet mehanizētos darbarīkus tikai ar paredzētajiem akumulatoriem.** Jebkura cita tipa akumulatoru izmantošana var radīt traumu un aizdegšanās bīstamību.
3. **Kamēr akumulators netiek izmantots, neturiet to blakus metāla priekšmetiem, piemēram, saspraudēm, monētām, atslēgām, naglām, skrūvēm un citiem nelieliem metāla priekšmetiem, kas var savienot izvadus.** Akumulatora spaiļu īssavienojums var izraisīt apdegumus vai aizdegšanos.
4. **Nepareizas lietošanas gadījumā no akumulatora var iztect šķidrums, nepieskarieties tam.**

Ja nejausi pieskārties šķidrumam, noskalojiet skarto vietu ar ūdeni. Ja šķidrums nokļūst acīs, pavadu iepriekš minētajam, vērsieties pie ārsta. No akumulatora iztecejušais šķidrums var izraisīt kairinājumu vai apdegumus.

5. **Ja akumulatora bloks vai darbarīks ir bojāts vai pārveidots, nelietojiet to.** Bojāti vai pārveidoti akumulatori var darboties nepareizi, izraisot aizdegšanos, sprādzienu vai traumu.
6. **Akumulatora bloku un darbarīku nepakļaujiet uguns un pārmērīgi augstas temperatūras ietekmei.** Ja akumulatora bloks vai darbarīks tiek pakļauts uguns vai par 130 °C augstākas temperatūras iedarbībai, var notikt sprādziens.
7. **Izpildiet visus uzlādes norādījumus un neuzlādējiet akumulatora bloku ārpus norādītajiem noteiktā temperatūras diapazona.** Nepareiza uzlāde vai temperatūra, kas ir ārpus noteiktā diapazona, var sabojāt akumulatoru un palielināt aizdegšanās draudus.

#### **Apkope**

1. **Ievērojiet rokasgrāmatā izklāstītos apkopes norādījumus.**
2. **Lai garantētu ierīces drošību, izmantojiet tikai ražotāja oriģinālās rezerves daļas vai ražotāja apstiprinātas rezerves daļas.**
3. **Uzticiet sava augstspiediena mazgātāja apkopi kvalificētam remonta speciālistam, kurš izmanto tikai identiskas rezerves daļas.** Tādējādi tiks saglabāta augstspiediena mazgātāja drošība.
4. **Ja augstspiediena mazgātājs saplīst vai sāk darboties kļūdaini, nekavējoties izslēdziet to un izņemiet akumulatora(-u) kasetni(-es).** Sazinieties ar vietējo izplatītāju vai servisa centru.

#### **Papildu drošības brīdinājumi**

1. **Nelietojiet darbarīku apstākļos, kad iespējams zibens.**
2. **Izmantojot darbarīku dubļainā vietā, uz mitras sliņas virsmas vai slidenā vietā, raugieties, lai kājām būtu stabils atbalsts.**
3. **Centieties neestrādāt grūti apstrādājamā vidē, kur var ātri nogurt.**
4. **Nemainiet akumulatoru lietū.**
5. **Negremdējiet darbarīku peļķē.**
6. **Novietojot darbarīku glabāšanā, izvairieties no tiešiem saules stariem un lietus un novietojiet to vietā, kur nekļūst karsts vai mitrs.**
7. **Pēc darbarīka lietošanas notīriet netīrumus, pilnībā nožāvējiet darbarīku un tikai tad novietojiet to glabāšanā.** Atkarībā no sezonas vai izmantošanas reģiona pastāv kļūdainas darbības risks sasaldēšanas dēļ.
8. **Nesamitriniet akumulatora spaiļes ar šķidrumu, piemēram, ūdeni, vai neiegremdējiet akumulatoru.** Neatstājiet akumulatoru lietū, kā arī nelādējiet, neizmantojiet vai neglabājiet akumulatoru mitrā vai slapjā vietā. Ja izvads kļūst mitrs vai akumulatorā iekļūst šķidrums, akumulatorā var rasties īsslēgums un pastāv pārkaršanas, aizdegšanās vai sprādziena risks.
9. **Pēc akumulatora izņemšanas no darbarīka vai lādētāja piestipriniet akumulatora vāku akumulatoram un glabājiet to sausā vietā.**
10. **Nemainiet akumulatoru ar mitrām rokām.**
11. **Ja ierīce auksta laika dēļ ir sasalusi, vērsieties pilnvarotā apkopes centrā, lai veiktu remontu.**

12. Neizmantojiet barošanas avotu ar vadu, piemēram, akumulatora adapteru vai pārnēsājamo barošanas bloku, kopā ar šo ierīci. Šāda barošanas avota vads var traucēt darbarīka darbību, tādējādi izraisot traumas.

## SAGLABĀJIET ŠOS NORĀDĪJUMUS.

**▲BRĪDINĀJUMS:** NEPIEĻĀUJIET to, ka labu iemaņu vai izstrādājuma labas pārzināšanas (darbarīku atkārtoti ekspluatējot) rezultātā vairs stingri neievērojat šī izstrādājuma drošības noteikumus.

NEPAREIZI LIETOJOT darbarīku vai neievērojot šajā instrukciju rokasgrāmatā minētos drošības noteikumus, var tikt gūtas smagas traumas.

### Svarīgi drošības norādījumi par akumulatora kasetni

1. Pirms akumulatora lietošanas izlasiet visus norādījumus un brīdinājumus, kuri attiecas uz (1) akumulatora lādētāju, (2) akumulatoru un (3) ierīci, kurā tiek izmantots akumulators.
2. Akumulatora kasetni nedrīkst ne pārveidot, ne izjaukt. Citādi var tikt izraisīta aizdegšanās, pārmērīgs karstums vai sprādziens.
3. Ja akumulatora darbības laiks kļūva ievērojami īsāks, nekavējoties pārtrauciet to izmantot. Citādi, tas var izraisīt pārkarsējumu, uzliesmojumu vai pat sprādzienu.
4. Ja elektrolīts nonāk acīs, izskalojiet tās ar tīru ūdens un nekavējoties griezieties pie ārsta. Tas var izraisīt redzes zaudēšanu.
5. Neradiet īssavienojumu akumulatora kasetnē:
  - (1) Nepieskarieties spaiļiem ar elektrību vadošiem materiāliem.
  - (2) Neuzglabājiet akumulatoru kasetni kopā ar citiem metāla priekšmetiem, tādiem kā naglas, monētas u. c.
  - (3) Nepakļaujiet akumulatora kasetni ūdens vai lietus iedarbībai.

Akumulatora īssavienojums var radīt spēcīgu strāvas plūsmu, pārkarsānu, uzliesmojumu un pat sabojāt akumulatoru.

6. Neglabājiet un neizmantojiet darbarīku un akumulatora kasetni vietās, kur temperatūra var sasniegt vai pārsniegt 50 °C (122 °F).
7. Nededziniet akumulatora kasetni, pat ja tā ir stipri bojāta vai pilnībā nolietota. Akumulatora kasetne uguni var eksplodēt.
8. Akumulatora kasetni nedrīkst naglot, griezt, saspīst, mest vai nomest, kā arī pa to nedrīkst sist ar cietu priekšmetu. Šādas darbības var izraisīt aizdegšanos, pārmērīgu karstumu vai sprādzienu.
9. Neizmantojiet bojātu akumulatoru.
10. Uz izmantotajiem litiņa jonu akumulatoriem attiecas likumdošanas prasības par bīstamiem izstrādājumiem.  
Komerציālā transportēšanā, ko veic, piemēram, trešās puses, transporta uzņēmumi, jāievēro uz iesaiņojuma un marķējuma norādītās īpašās prasības.

Lai izstrādājumu sagatavotu nosūtīšanai, jāsažinās ar bīstamo materiālu speciālistu. Ievērojiet arī citus attiecināmos valsts normatīvus.

Valējūs kontaktus nosedziet ar līmlenti vai citādi pārklājiet, bet akumulatoru iesaiņojiet tā, lai sainī tas nevarētu izkustēties.

11. Lai utilizētu akumulatora kasetni, izņemiet to no darbarīka un likvidējiet drošā vietā. Ievērojiet vietējos noteikumus par akumulatora likvidēšanu.
12. Izmantojiet šos akumulatorus tikai ar izstrādājumiem, kurus norādījis Makita. Ievietojot šos akumulatorus nesaderīgos izstrādājumos, var rasties ugunsgrēks, pārmērīgs karstums, tie var uzsprāgt vai no tiem var iztecēt elektrolīts.
13. Ja darbarīks netiks lietots ilgu laiku, no tā jāizņem akumulators.
14. Lietošanas laikā vai pēc tās akumulatora kasetne var uzkrāt siltumu, kas var izraisīt apdegumus vai zemas temperatūras apdegumus. Ar karstu akumulatora kasetni apejieties rūpīgi.
15. Nepieskarieties darbarīka izvadām uzreiz pēc lietošanas, jo tas var būt sakarsis un izraisīt apdegumus.
16. Neļaujiet akumulatora kasetnes spaiļēs, atverēs un rievās uzkrāties skaidām, putekļiem vai netīrumiem. Tas var izraisīt sasīšanu, aizdegšanos, sprādzienu un instrumenta vai akumulatora kasetnes nepareizu darbību, un lietotājs var gūt apdegumus vai ievainojumus.
17. Neizmantojiet akumulatora kasetni augstsprieguma līniju tuvumā, izņemot gadījumus, kad darbarīks ir piemērots lietošanai augstsprieguma līniju tuvumā. Citādi darbarīks vai akumulatora kasetne var sākt darboties nepareizi vai tikt sabojāti.
18. Glabājiet akumulatoru bērniem nepieejamā vietā.

## SAGLABĀJIET ŠOS NORĀDĪJUMUS.

**▲UZMANĪBU:** Lietojiet tikai oriģinālos Makita akumulatorus. Ja lietojat neoriģinālus Makita akumulatorus vai pārveidotus akumulatorus, tie var uzsprāgt un izraisīt aizdegšanos, traumas un materiālos zaudējumus. Tiks anulēta arī Makita darbarīka un lādētāja garantija.

## Ieteikumi akumulatora kalpošanas laika pagarināšanai

1. Uzlādējiet akumulatora kasetni, pirms tā ir pilnībā izlādējusies. Vienmēr, kad ievērojāt, ka darbarīka darba jauda zudusi, apturiet darbarīku un uzlādējiet akumulatora kasetni.
2. Nekad neuzlādējiet pilnībā uzlādētu akumulatora kasetni. Pārmērīga uzlāde saīsina akumulatora kalpošanas laiku.
3. Uzlādējiet akumulatora kasetni istabas temperatūrā 10 °C - 40 °C. Karstai akumulatora kasetnei pirms uzlādes ļaujiet atdzist.
4. Kad akumulatora kasetne netiek izmantota, izņemiet to no darbarīka vai lādētāja.
5. Uzlādējiet litiņa jonu akumulatora kasetni, ja to ilgstoši nelietosit (vairāk nekā sešus mēnešus).

# FUNKCIJU APRAKSTS

**⚠UZMANĪBU:** Pirms darbarīka regulēšanas vai tā darbības pārbaudes vienmēr pārliedzinieties, ka darbarīks ir izslēgts un akumulatora kasetne ir izņemta.

## Akumulatora kasetnes uzstādīšana un izņemšana

**⚠UZMANĪBU:** Vienmēr pirms akumulatora kasetnes uzstādīšanas vai noņemšanas izslēdziet darbarīku.

**⚠UZMANĪBU:** Uzstādot vai izņemot akumulatora kasetni, darbarīku un akumulatora kasetni turiet cieši. Ja darbarīku un akumulatora kasetni netur cieši, tie var izkrist no rokām un radīt bojājumus darbarīkam un akumulatora kasetnei, kā arī izraisīt ievainojumus.

**⚠UZMANĪBU:** Atverot vai aizverot akumulatora vāku, uzmanieties, lai neiespiestu pirkstus.

Atveriet vāku, spiežot bloķēšanas sviru.

► **Att. 1:** 1. Pārsegs 2. Fiksēšanas svira

Savietojiet akumulatora kasetnes mēlīti ar ievu korpusā un iebīdīet to vietā. Ievietojiet to līdz galam, līdz tā ar klikšķi nofiksējas. Ja redzams attēlā parādītais sarkanais indikators, tas nozīmē, ka tā nav pilnīgi nofiksēta.

► **Att. 2:** 1. Sarkanais krāsas indikators 2. Poga 3. Akumulatora kasetne

Kad akumulatoru kasetnes ir uzstādītas vai izņemtas, noteikti uzliedziet atpakaļ pārsegu.

Lai izņemtu akumulatora kasetni, atveriet vāku, izvelciet akumulatora kasetni no darbarīka, turot nospiestu priekšā esošo pogu, un pēc tam aizveriet vāku.

**⚠UZMANĪBU:** Vienmēr ievietojiet akumulatora kasetni tā, lai sarkanais indikators nebūtu redzams. Pretējā gadījumā tā var nejauši izkrist no darbarīka un izraisīt jums vai apkārtējiem traumas.

**⚠UZMANĪBU:** Neievietojiet akumulatora kasetni ar spēku. Ja kasetne neslīd ietvarā viegli, tā nav pareizi ielikta.

**⚠UZMANĪBU:** Pirms darba sākšanas noteikti nofiksējiet pārsegu.

## Darbarīka/akumulatora aizsardzības sistēma

Darbarīks ir aprīkots ar darbarīka/akumulatora aizsardzības sistēmu. Šī sistēma automātiski izslēdz motora barošanu, lai pagarinātu darbarīka un akumulatora darbmūžu. Darbarīks automātiski pārstāj darboties un iedegas sarkanais indikators, ja darbarīku vai akumulatoru pakļauj kādam no tālāk minētajiem apstākļiem.

► **Att.3:** 1. Indikators

## Aizsardzība pret pārslodzi

Ja darbarīku vai akumulatoru lieto tā, ka tas patērē pārmērīgi lielu strāvas daudzumu, darbarīks automātiski pārstāj darboties un iedegas sarkanais indikators. Šādā gadījumā izslēdziet darbarīku un pārtrauciet darbību, kas izraisīja darbarīka pārslodzi. Pēc tam ieslēdziet darbarīku, lai atsāktu darbu.

## Aizsardzība pret pārkaršanu

Kad darbarīks vai akumulators ir pārkaršis, darbarīks automātiski pārstāj darboties un iedegas sarkanais indikators. Šādā gadījumā pirms darbarīka atkārtotas ieslēgšanas ļaujiet tam atdzist.

## Aizsardzība pret akumulatora pārmērīgu izlādi

Kad atlikusī akumulatora jauda ir zema, mirgo sarkanais indikators. Kad akumulators ir gandrīz izlādējies, darbarīks automātiski pārstāj darboties un iedegas sarkanais indikators. Šādā gadījumā izņemiet no darbarīka akumulatoru un uzlādējiet to.

## Aizsardzība pret citiem cēloņiem

Aizsardzības sistēma ir paredzēta arī pret citiem cēloņiem, kas varētu izraisīt darbarīka bojājumus, un nodrošina automātisku darbarīka apturēšanu. Ja darbarīka darbība ir īslaicīgi apstājusies vai tas pārstājis darboties, cēloņu novēršanai veiciet visas tālāk norādītās darbības.

1. Izslēdziet un ieslēdziet darbarīku, lai to no jauna iedarbinātu.
2. Uzlādējiet akumulatoru(-us) vai nomainiet to/tos ar uzlādētu(-iem) akumulatoru(-iem).
3. Ļaujiet darbarīkam un akumulatoram(-iem) atdzist.

Ja pēc aizsardzības sistēmas atjaunošanas nav uzlabojumu, sazinieties ar vietējo Makita tehniskās apkopes centru.

**IEVĒRĪBAI:** Ja darbarīks izslēdzas kāda iepriekš neaprauktā iemesla dēļ, skatiet sadaļu par problēmu novēršanu.

## Atlikušās akumulatora jaudas indikators

### Tikai akumulatora kasetnēm ar indikatoru

Nospiediet akumulatora kasetnes pārbaudes pogu, lai pārbaudītu akumulatora atlikušo uzlādes līmeni. Indikatori iedegsies uz dažām sekundēm.

► **Att.4:** 1. Indikatora lampas 2. Pārbaudes poga

| Indikatora lampas |          |       | Atlikusī jauda               |
|-------------------|----------|-------|------------------------------|
| Iededzies         | Izslēgts | Mirgo |                              |
|                   |          |       | No 75% līdz 100%             |
|                   |          |       | No 50% līdz 75%              |
|                   |          |       | No 25% līdz 50%              |
|                   |          |       | No 0% līdz 25%               |
|                   |          |       | Uzlādējiet akumulatoru.      |
|                   |          |       | Iespējama akumulatora kļūme. |
|                   |          |       |                              |

**PIEZĪME:** Reālā jauda var nedaudz atšķirties no norādītās atkarībā no lietošanas apstākļiem un apkārtējās temperatūras.

**PIEZĪME:** Akumulatora aizsardzības sistēmas darbības laikā mirgo pirmais (kreisais malējais) indikators.

## Spiediena režīma slēdzis

Atlasiet vēlamo spiediena režīmu, bīdot slēdža sviru uz priekšu un atpakaļ.

Lai ieslēgtu maza spiediena režīmu, pavelciet sviru atpakaļ, līdz slēdzī redzams simbols "1".

Lai ieslēgtu liela spiediena režīmu, pabīdiet sviru uz priekšu, līdz slēdzī redzams simbols "2".

► **Att.5:** 1. Zema spiediena režīms (1) 2. Augsta spiediena režīms (2) 3. Spiediena režīma slēdža svira

## Slēdža mēlīte

Augstspiediena mazgātājā izmantots drošības bloķētājs uz slēdža mēlītes. Lai atbrīvotu mēlītes bloķētāju, iespiediet bloķēšanas pogu mēlītē tā, ka mēlītes virsma kļūst plakana.

Nospiediet slēdža mēlīti, lai palaistu ūdens strūklu. Strūkļa turpina šļākties, kamēr ir nospiesta mēlīte.

► **Att.6:** 1. Slēdža mēlīte 2. Bloķēšanas poga

Izbīdiet bloķēšanas pogu atpakaļ uz āru no slēdža mēlītes iekšpuses, lai ieslēgtu mēlītes bloķēšanu.

Noteikti nobloķējiet mēlīti, kad augstspiediena mazgātājs netiek izmantots.

► **Att.7:** 1. Slēdža mēlīte 2. Bloķēšanas poga

## Sprauslas funkcijas

Vairāku modeļu ("pieci vienā") smidzināšanas uzgalis nodrošina dažādus smidzināšanas veidus, ko var pielāgot atkarībā no mazgāšanas vajadzībām. Apvienojot piecus visbiežāk izmantotos izsmidzināšanas modeļus vienā uzgalī, tiek novērsta vajadzība mainīt uzgali; vienkārši pagrieziet veicamajam darbam piemērotāko izsmidzināšanas modeli.

**Vienkārša sprauslu nomaīņa, 0°, 15°, 25°, 40° un duša**  
► **Att.8**

► **Att.9:** 1. Smidzināšanas veida simbols 2. Trijstūra atzīme

Pagrieziet uzgaļa galvu pa kreisi vai pa labi vēlāmā smidzināšanas veida pozīcijā. Pareizi savietojiet tā smidzināšanas veida simbolu, kuru gribat izvēlēties, ar trijstūra atzīmi, lai uzgaļa galva nofiksētos ar klikšķi.

► **Att.10**

**IEVĒRĪBAI:** Uzmanieties, lai neatstātu uzgaļa galvu nenofiksētā (bez klikšķa) pozīcijā. Pretējā gadījumā darbarīks var veikt nepareizu smidzināšanu, izraisot ūdens noplūdi.

**UZMANĪBU:** Mainot izsmidzināšanas modeli, centieties negriezt līdzī uzgaļa korpusu. Uzgalis var atdalīties no darbarīka korpusa un radīt traumu.

## Drošības vārsts

Šim darbarīkam ir drošības vārsts, kas novērš lieku pārspiedienu.

**UZMANĪBU:** Nemēģiniet pārveidot vai pielāgot drošības vārsta iestatījumu.

# MONTĀŽA

**UZMANĪBU:** Pirms darbarīka regulēšanas vai apkopes vienmēr pārliecinieties, ka darbarīks ir izslēgts un akumulatora kasetne ir izņemta.

## Uzgaļa un pagarinājuma stieņa uzstādīšana

**UZMANĪBU:** Pievienojot un noņemot uzgali un pagarinājumu, vienmēr nobloķējiet slēdža mēlīti.

### Uzgalis

Savietojiet vadotnes izvirkzījumus uz uzgaļa gala ar fiksācijas spraugām darbarīka korpusā. Spiediet uzgali līdz galam, līdz divas trijstūra atzīmes uz uzgaļa un korpusa ir pretī viena otrai. Pēc tam pagrieziet uzgali attēlā parādītajā virzienā, lai saslēgtu bloķēšanas mehānismu.

Pēc uzgaļa uzstādīšanas pamēģiniet to pavilkt atpakaļ, lai pārliecinātos, vai tas droši turas savā vietā.

► **Att.11:** 1. Uzgalis 2. Vadotnes izvirkzījums 3. Fiksācijas sprauga 4. Trijstūra atzīmes 5. Vēdera spuras veida figūra

**PIEZĪME:** Pagrieziet vēdera spuras veida figūru uz leju.

Lai atvienotu uzgali, turiet uzgali piespiestu pret darbarīka korpusu un grieziet to pretējā virzienā, līdz divas trijstūra atzīmes ir pretī viena otrai. Kad uzgalis ir atbloķēts, velciet to nost no darbarīka korpusa.

### Pagarinājuma stienis

Grūti sasniedzamu vietu laistīšana. Uzstādiet pagarinājuma stieni starp darbarīka korpusu un uzgali, veicot tādas pašas darbības, kā uzstādot uzgali.

► **Att.12:** 1. Pagarinājuma stienis 2. Darbarīka korpus 3. Uzgalis 4. Vadotnes izvirkzījumi 5. Fiksācijas spraugas 6. Trijstūra atzīmes

Lai atvienotu papildierīces, piespiediet un turiet piespiestu gala papildierīci pret stiprinājuma papildierīci/korpusu, un grieziet to pretējā virzienā, līdz divas trijstūra atzīmes ir pretī viena otrai. Kad gala papildierīce ir atbloķēta, velciet to nost no stiprinājuma papildierīces/korpusa.

## Savienošana ar ūdens padevi no tvertnes

**IEVĒRĪBAI:** Ūdens padevi izmantojiet tikai komplektā ar šo darbarīku piegādāto spiediena šļūteni un sietiņu.

**IEVĒRĪBAI:** Neturiet augstspiediena mazgātāja ietilpni augstāk par 2,0 m no ūdens virsmas. Pretējā gadījumā augstspiediena mazgātājs nespēs iesūkt ūdeni sūknī.

**IEVĒRĪBAI:** Piepildiet ūdens tvertni vairāk nekā 25 mm no tās dibena un pilnībā iegremdējiet sietiņu ūdenī.

Ūdeni var piegādāt no jebkura lieluma kannas/tvertnes/trauka.

Ūdens piegāde no tvertnes atrisina tādas augstspiediena mazgāšanas situācijas kā automobiļa mazgāšana un dārza laistīšana u. tml., kur ūdens nav pieejams un kur tas jātransportē uz mazgāšanas zonu vai darba vietu.

1. Piestipriniet sietiņu vienā spiediena šļūtenes galā. Ievietojiet sietiņa izvadu savienojuma uzmavā un spiediet to cauri, līdz sietiņš ir nostiprināts vietā.

► **Att.13:** 1. Sietiņš 2. Savienojuma uzmava 3. Spiediena šļūtene

2. Novietojiet sietiņu ūdens tvertnes dibenā.

► **Att.14:** 1. Sietiņš 2. Spiediena šļūtene 3. Šļūtenes āķis

**PIEZĪME:** Izmantojot komplektā piegādāto šļūtenes āķi, iekariet šļūteni tvertnes atverē tā, lai sietiņš stabilizējas atkrāsot tvertnes dibenā.

3. Pievienojiet otru šļūtenes galu ūdens šļūtenes savienotājam uz augstspiediena mazgātāja.

Uzlieciet savienojuma uzmavu uz savienotāja ievada un spiediet to cauri, līdz savienojuma uzmava ir nostiprināta vietā.

► **Att.15:** 1. Savienojuma uzmava 2. Ūdens šļūtenes savienotājs

**UZMANĪBU:** Pārliecinieties, ka augstspiediena šļūtene ir stingri pievienota. Valīgs savienojums var noraut šļūteni, nodarot miesas bojājumus.

**IEVĒRĪBAI:** Ja augstspiediena režīmā ūdens ir jāzūdnē no zināma dziļuma, iepildiet ūdeni augstspiediena mazgātājā un šļūtenē jau iepriekš.

## Savienošana ar ūdensapgādes pievadu

**UZMANĪBU:** Ūdens padevei izmantojiet tikai komplektā ar šo darbarīku piegādāto spiediena šļūteni.

**IEVĒRĪBAI:** Pievienojot šļūteni dzeraim ūdens vadam, izmantojiet pretvārstu, kas atbilst jūsu reģionā piemērojamiem noteikumiem.

**IEVĒRĪBAI:** Lai nodrošinātu pareizu padevi, uzturiet ietilpdes ūdens padeves spiedienu zemāk par 0,5 MPa. Nepārsniedziet maksimālo padeves spiedienu, jo tas var izraisīt ūdens noplūdes, darbarīkam pārtraucot darboties.

Ūdeni var piegādāt no ūdensapgādes pieslēguma, kas pieejams mazgāšanas zonā vai darba vietā.

Pastāvīga ūdens padeve ļauj neuztraukties par ūdens uzpildi un veikt efektīvu mazgāšanu un laistīšanu mājas un dārza darbos, piemēram, konkrētu vietu mazgāšanu, skalošanu, kā arī plašu zālāja vai dārza zonu laistīšanu.

1. Pievienojiet spiediena šļūteni ūdens krānam.

Lai nostiprinātu šļūtenes galu pie krāna, uzstādiat piemērotu stiprinājumu, piemēram, ūdens krāna savienotāju.

► **Att.16:** 1. Ūdens krāna savienotājs 2. Savienojuma uzmava 3. Spiediena šļūtene

**PIEZĪME:** Stiprinājuma veids ir atkarīgs no savienojumam izmantotā krāna. Sagatavojiet veikalā iegādātu atbilstošu stiprinājumu.

2. Pievienojiet otru šļūtenes galu ūdens šļūtenes savienotājam uz augstspiediena mazgātāja.

Uzlieciet savienojuma uzmavu uz savienotāja ievada un spiediet to cauri, līdz savienojuma uzmava ir nostiprināta vietā.

► **Att.17:** 1. Savienojuma uzmava 2. Ūdens šļūtenes savienotājs

## Putu sprauslas uzstādīšana

### Papildu piederumi

**UZMANĪBU:** Pievienojot un noņemot izvēles papildierīces, vienmēr nobloķējiet slēdža mēlīti.

**IEVĒRĪBAI:** Izmantojiet tikai neitrālus mazgāšanas līdzekļus. Neizmantojiet mājsaimniecības mazgāšanas līdzekļus, skābi saturošus vai sārmainus mazgāšanas līdzekļus, balinātājus, šķīdinātājus, viegli uzliesmojošas vielas vai rūpnieciskas kategorijas šķīdumus, kas var sabojāt darbarīku vai jūsu tīrāšumu. Sagatavojiet mazgāšanas šķīdumu, kā norādīts uz šķīduma pudeles, un vienmēr iepriekš izmēģiniet to neuzkrītošā vietā.

**IEVĒRĪBAI:** Ja izmanto ļoti viskozu mazgāšanas līdzekli, sprausla var aizsprostoties. Izmantojot ļoti viskozu mazgāšanas līdzekli, pirms lietošanas atšķaidiet mazgāšanas līdzekli, pielejot pudelē ūdeni.

**PIEZĪME:** Izmantojot putu sprauslu, pudelē esošais mazgāšanas līdzeklis tiek atšķaidīts ar darbarīka piegādāto ūdeni un izsmidzināts. Nav vajadzības atšķaidīt mazgāšanas līdzekļa koncentrāciju pudelē vairāk nekā nepieciešams. Pielāgojiet mazgāšanas līdzekļa koncentrāciju, pārbaudot lietošanas apstākļus.

**PIEZĪME:** Ja putu sprauslu apgāz uz sāniem, var izlīzt mazgāšanas līdzeklis.

Pirms putu sprauslas izmantošanas sagatavojiet mazgāšanas līdzekli.

1. Uzpildiet tvertni ar mazgāšanas līdzekli. Uzstādiat sprauslu uz tvertnes un stingri pievelciet vāciņu.

2. Sasveriet putu sprauslu, lai savietotu tās vadotnes izvirkījumus ar fiksācijas spraugām darbarīka korpusā. Iespiediet sprauslu līdz galam un noturiet to vietā. Pēc tam pagrieziet putu sprauslu attēlā parādītajā virzienā, lai saslēgtu bloķēšanas mehānismu.

► **Att.18:** 1. Putu sprausla 2. Tvertne 3. Vadotnes izvirkījums 4. Fiksācijas sprauga

Pēc uzgaļa uzstādīšanas pamēģiniet to pavilkt atpakaļ, lai pārliecinātos, vai tas droši turas savā vietā.

3. Pagrieziet mazgāšanas līdzekļa regulēšanas ripu, lai pielāgotu mazgāšanas līdzekļa šķīduma iesūkšanas tilpumu.

► **Att.19:** 1. Mazgāšanas līdzekļa regulēšanas ripa 2. Ripa uz minimumu 3. Ripa uz maksimumu

## Izvēles papildpiederumu uzstādīšana

### Papildu piederumi

**⚠UZMANĪBU:** Pievienojot un noņemot izvēles papildierīces, vienmēr nobloķējiet slēdža mēlīti.

Savietojiet vadotnes izvirkījumus uz izvēles papildaprīkojuma uzgaļa ar fiksācijas spraugām darbarīka korpusā. Iespiediet sprauslu līdz galam un noturiet to vietā. Pēc tam pagrieziet uzgali attēlā parādītajā virzienā, lai saslēgtu bloķēšanas mehānismu.

Pēc uzgaļa uzstādīšanas pamēģiniet to pavilkt atpakaļ, lai pārliecinātos, vai tas droši turas savā vietā.

- **Att.20:** 1. Uzgaļi 2. Vadotnes izvirkījums  
3. Fiksācijas sprauga

Lai atvienotu uzgali, turiet to piespiestu pret darbarīka korpusu un grieziet to pretējā virzienā, lai atbrīvotu bloķēšanas mehānismu. Kad uzgalis ir atbloķēts, velciet to nost no augstspiediena mazgātāja.

## Plastmasas pudeles adaptera uzstādīšana

### Papildu piederumi

**⚠UZMANĪBU:** Pievienojot un noņemot izvēles papildierīces, vienmēr nobloķējiet slēdža mēlīti.

**⚠UZMANĪBU:** Plastmasas pudeles adapteru stingri piestipriniet pie augstspiediena mazgātāja un plastmasas pudeles. Pretējā gadījumā pudele var nokrist, tādējādi radot traumas.

**PIEZĪME:** Var izvēlēties 2 litru (pusgalona) plastmasas pudeli ūdenim.

1. Iepildiet ūdeni plastmasas pudelē.
2. Ievietojiet iesūkšanas cauruli caur pudeles kakliņu.
3. Pievienojiet adapteru pudelei, uzskrūvējot savienojuma uznavas uzgriezni.
4. Pievienojiet plastmasas pudeles adapteru ūdens šļūtenes savienotājam uz augstspiediena mazgātāja.

Uzlieciet savienojuma uznavu uz savienotāja ievada un spiediet to cauri, līdz savienojuma uznavai ir nostiprināta vietā.

- **Att.21:** 1. Plastmasas pudeles adapters  
2. Iesūkšanas caurule 3. Plastmasas pudele  
4. Ūdens šļūtenes savienotājs

## EKSPLUATĀCIJA

**⚠BRĪDINĀJUMS:** Nepieskarieties ūdens strūkļam un nevērsiet to tieši pret sevi vai citiem. Ūdens strūkļa ir bīstama un var ievainot jūs un citus cilvēkus.

**⚠BRĪDINĀJUMS:** Izšļācot ūdens strūkļu, nekādā gadījumā neturiet tīrāmo priekšmetu rokās un neturiet plaukstas vai pēdas pie ūdens strūkļas.

**⚠UZMANĪBU:** Nedarbiniet augstspiediena mazgātāju bez ūdens ilgāk kā 1 minūti.

**⚠UZMANĪBU:** Nedarbiniet augstspiediena mazgātāju ilgu laiku. Tas var izraisīt pārkaršanu vai aizdegšanos. Ilgstoša lietošana var arī izraisīt vibrācijas problēmu.

**⚠UZMANĪBU:** Nēmiat vērā vēja virzienu. Ja mazgāšanas līdzeklis iekļuvis acīs vai mutē, nekavējoties izskalojiet to ar tīru ūdeni un vajadzības gadījumā vērsieties pie ārsta.

**IEVĒRĪBAI:** Lai aizsargātu augstspiediena mazgātāja mehānismu, neizmantojiet ūdeni, kas karstāks par 40 °C (104 °F).

**IEVĒRĪBAI:** Neizmantojiet neattīrīta ūdens padevi, piemēram, no upes vai dīķa, vai arī smilšainu vai duļķainu ūdeni. Nefiltrēts, netīrs ūdens var radīt nevēlamu materiālu nogulsnešanos sūknī, izraisot darbības traucējumus.

### Ūdens uzsūkšanas augstums

Vertikālā augstuma starpība no avota līdz augstspiediena mazgātāja ūdens iesūkšanas atverei nedrīkst pārsniegt 2,0 m.

### Ūdens slāņa dziļums

Uzpildiet ūdens tvertni vairāk par 25 mm no tās dibena.  
► **Att.22:** 1. Ūdens uzsūkšanas augstums 2. Ūdens slāņa dziļums

### Pamatdarbības soļi

1. Pievienojiet šļūtenes ievadu ūdens padeves avotam.
2. Pievienojiet šļūtenes izvadu augstspiediena mazgātājam.  
► **Att.23**
3. Ja augstspiediena mazgātājā palikušais ūdens kopš pēdējās lietošanas reizes ir izliets, iepildiet ūdeni šļūtenē un augstspiediena mazgātājā.

Ļaujiet ūdenim plūst caur šļūteni un mazgātāju, līdz tajos vairs nav gaisa.

- (1) Noņemiet uzgali no augstspiediena mazgātāja.
- (2) Uzstādiet akumulatora kasetni augstspiediena mazgātājā.
- (3) Atlasiet augsta spiediena režīmu.
- (4) Atbloķējiet slēdža mēlīti.
- (5) Turiet nospiestu slēdža mēlīti, līdz augstspiediena mazgātājs rada stabilu ūdens strūkļu.  
► **Att.24:** 1. Spiediena režīma slēdža svira

Pēc gaisa burbuļu izlaišanas no augstspiediena mazgātāja un šļūtenes atlaidiet slēdža mēlīti.

Izņemiet akumulatora kasetni no augstspiediena mazgātāja un uzstādiet savam lietojumam atbilstošu uzgali.

4. Atveriet pārsegu, ievietojiet akumulatoru kasetni augstspiediena mazgātājā un tad aizveriet pārsegu.  
► **Att.25:** 1. Akumulatora kasetne 2. Pārsegs

**⚠UZMANĪBU:** Atverot vai aizverot akumulatora vāku, uzmanieties, lai neiespiestu pirkstus.

5. Atlasiet vajadzīgo spiediena režīmu. Pēc tam atbloķējiet slēdža mēlīti.  
► **Att.26:** 1. Spiediena režīma slēdža svira 2. Slēdža mēlīte 3. Bloķēšanas poga

6. Notēmējiet uzgaļa galvu pret aplaistāmo zonu vai darba vietu. Nospiediet slēdža mēlīti.

Ūdens strūkļa turpina šļākties, kamēr ir nospiesta mēlīte.

- **Att.27**  
► **Att.28**

**⚠UZMANĪBU:** Turiet augstspiediena mazgātāju stingri. Nospiežot slēdža mēlīti, darbarīks raujas atpakaļ.

**⚠UZMANĪBU:** Kad tiek raidīta ūdens strūkļa, vienmēr turiet augstspiediena mazgātāju aiz rokura un stobra.

## Pēc lietošanas

**⚠UZMANĪBU:** Pēc augstspiediena mazgātāja lietošanas vienmēr izpildiet šajā rokasgrāmatā aprakstīto procedūru. Augstspiediena mazgātājā palikušais spiediens var radīt traumas vai ierīcē esošā sūkņa bojājumus.

1. Atlaidiet slēdža mēlīti un nobloķējiet to ar bloķēšanas pogu.
2. Atvienojiet šļūteni no ūdens padeves avota.  
► **Att.29**
3. Atbloķējiet slēdža mēlīti un nospiediet to, līdz ir izliets augstspiediena mazgātājā un šļūtenē atlikušais ūdens.  
► **Att.30**

**⚠IEVĒRĪBAI:** Nedarbiniet motoru ilgāk par 1 minūti.

4. Atlaidiet slēdža mēlīti un nobloķējiet to ar bloķēšanas pogu. Pēc tam izņemiet akumulatoru no augstspiediena mazgātāja.  
► **Att.31:** 1. Bloķēšanas poga 2. Akumulatora kasetne
5. Atvienojiet spiediena šļūteni no augstspiediena mazgātāja.  
► **Att.32:** 1. Savienojuma uzmava 2. Ūdens šļūtenes savienotājs

**⚠IEVĒRĪBAI:** Lai novērstu spiediena šļūtenes sabojāšanu, pirms novietošanas glabāšanai izlejiet šļūtenē palikušo ūdeni.

## PROBLĒMU NOVĒRŠANA

Pirms nodošanas remontā vispirms veiciet pārbaudi pats. Ja konstatējat kļūmi, kas nav aprakstīta rokasgrāmatā, nemēģiniet darbarīku izjaukt. Dodieties uz Makita pilnvarotu apkopes centru un remontam vienmēr izmantojiet tikai Makita rezerves daļas.

| Neatbilstošas darbības stāvoklis    | Iespējamais iemesls (kļūme)         | Risinājums  |
|-------------------------------------|-------------------------------------|---|
| Mazgāšanas ierīci nevar iedarbināt. | Nav elektrības                      | Ievietojiet uzlādētu akumulatora kasetni.                 |
|                                     | Slēdža mēlīte ir bloķēta.           | Atbloķējiet slēdža mēlīti.                                |
|                                     | Bojāts akumulators vai strāvas ķēde | Vērsieties pilnvarotā apkopes centrā, lai veiktu remontu. |

## APKOPE

**⚠UZMANĪBU:** Pirms ierīces pārbaudes vai apkopes vienmēr pārliecinieties, ka ierīce ir izslēgta un akumulatora kasetne ir atvienota.

**⚠IEVĒRĪBAI:** Nekad neizmantojiet gazolīnu, benzīnu, atšķaidītāju, spirtu vai līdzīgus šķidrumus. Tas var radīt izbalēšanu, deformāciju vai plaisas.

Lai saglabātu izstrādājuma DROŠU un UZTICAMU darbību, remontdarbus, apkopi un regulēšanu uzticiet veikt tikai Makita pilnvarotam vai rūpnīcas apkopes centram, un vienmēr izmantojiet tikai Makita rezerves daļas.

## Sprauslu tīrīšana

Lai no sprauslu atverēm iztīrītu tajās ieķērušos netīrumus, izmantojiet tīrīšanas adatu, sīku apaļo vīlīti.

- **Att.33:** 1. Tīrīšanas adata 2. Uzgalis

**⚠PIEZĪME:** Lai saglabātu optimālu sniegumu, regulāri tīriet sprauslu.

**⚠IEVĒRĪBAI:** Netīriet netīrumus vai gružus ar spēku. Tā varat savainoties vai sabojāt izšķāšanas atveri, tādējādi radot izsmidzināšanas leņķa novirzes vai darbības traucējumus.

## Filtru tīrīšana

Atvienojiet ūdens šļūtenes savienotāju no augstspiediena mazgātāja. Notīriet filtram pielipušos putekļus un gružus.

- **Att.34:** 1. Ūdens šļūtenes savienotājs 2. Filtrs 3. Blīvgredzens

Izjauciet sietiņu, atskrūvējot filtra korpusu. Notīriet filtram pielipušos putekļus un gružus.

- **Att.35:** 1. Filtrs 2. Filtra korpus

**⚠PIEZĪME:** Lai uzturētu optimālu veiktspēju, regulāri tīriet filtru.



| Neatbilstošas darbības stāvoklis           | Iespējamais iemesls (klūme)            | Risinājums   |
|--|--|--|
| Nav ūdens strūkļas / ūdens strūkļa ir vāja | Nav ūdens padeves                      | Pārliecinieties, vai ūdens krāns ir atvērts. Ja pievienojat ūdens padevi no tvertnes, iepildiet ūdeni augstspiediena mazgātājā un šļūtenē. |
|  | Vāja ūdens padeve                      | Atgrieziet ūdensvada krānu.  |
|  | Slikti pievienota ūdens šļūtene        | Pārbaudiet augstspiediena mazgātāja savienojumu ar ūdens pievadu.  |
|  | Deformēta vai nodilusi ūdens šļūtene   | Iztaisoņojiet šļūteni. Nomainiet bojāto ūdens šļūteni ar jaunu.  |
|  | Aizsprostota šļūtene vai sprausla      | Izīriet aizsprostojumu šļūtenē vai sprauslā.   |
|  | Aizsprostoti filtri                    | Notīriet putekļus un gružus, kas pieķērušies filtriem sietiņā un ūdens šļūtenes savienotājā.   |
|  | Netīrais/piesārņotais ūdens            | Izīriet ūdens sistēmu un uzpildiet ar tīru ūdeni.  |
|  | Bojāta vai nodilusi sprausla           | Nomainiet sprauslu.  |
|  | Sūkņa vai vārsta darbības traucējums   | Vērsieties pilnvarotā apkopes centrā, lai veiktu remontu.  |
|  | Valīgs ūdens savienojums               | Nostipriniet savienojumu starp ūdens šļūteni un savienojuma uzmvām.  |
|  | Noplūdes no ūdens pievada savienojuma  | Atkārtoti pievelciet ūdens šļūtenes savienojumu ar ūdens pievadu.  |
|  | Nepareizi uzstādīts sietiņš            | Pilnībā iegremdējiet sietiņu ūdenī.  |
|  | Tiek lietots zema spiediena režīms     | Atlasiet augsta spiediena režīmu.  |
| Nevienmērīgā ūdens strūkļa                 | Aizsērējusi sprausla                   | Izmantojot tīrīšanas adatu, izīriet sprauslas izšļāšanās atveri.   |
|  | Vāja ūdens sūkšana                     | Pārbaudiet, vai ūdens šļūtenē nav noplūžu vai aizsprostojumu.  |
|  | Ūdens ir pārāk karsts.                 | Noregulējiet vēsāku ūdeni.   |
|  | Vārsta darbības traucējums             | Vērsieties pilnvarotā apkopes centrā, lai veiktu remontu.  |
| Neparasta skaņa                            | Ūdens ir pārāk karsts.                 | Noregulējiet vēsāku ūdeni.   |
| Ūdens noplūdes                             | Slikts savienojums                     | Pārbaudiet augstspiediena mazgātāja savienojumu ar ūdens pievadu.  |
|  | Nepareizi uzstādīts uzgalis            | Iespiediet uzgali līdz galam. Pēc tam pagrieziet uzgali, līdz tas stingri nofiksējas.  |
|  | Uzgaļa galva paliek nepareizā pozīcijā | Iestatiet uzgaļa galvu ar klikšķi nofiksētā pozīcijā, kur skaidri redzams izsmidzināšanas modeļa simbols.                                  |
|  | Nodilušas blīves                       | Vērsieties pilnvarotā apkopes centrā, lai veiktu remontu.  |

## PAPILDU PIEDERUMI

**⚠ UZMANĪBU:** Šādi piederumi un papildierīces tiek ieteiktas lietošanai ar šajā rokasgrāmatā aprakstīto Makita darbarīku. Izmantojot citus piederumus vai papildierīces, var tikt radīta traumu gūšanas bīstamība. Piederumu vai papildierīci izmantojiet tikai paredzētajam mērķim.

Ja jums vajadzīga palīdzība vai precīzāka informācija par šiem piederumiem, vērsieties savā tuvākajā Makita apkopes centrā.

**PIEZĪME:** Daži sarakstā norādītie izstrādājumi var būt iekļauti instrumenta komplektācijā kā standarta piederumi. Tie dažādās valstīs var būt atšķirīgi.

### Putu sprausla

► Att.36

Var izsmidzināt mazgāšanas līdzekļa putas.

### Mazgāšanas suka

► Att.37

Sprausla ar suku. Noderīga netīrumu mazgāšanai, vienlaikus beržot ar suku.

### Leņķa uzgalis

► Att.38

Leņķī novietoto uzgaļa galvu iespējams grozīt 360 grādu leņķī, nodrošinot labu manevrējamību un piekļuvi bez nepieejamiem leņķiem.

### Plastmasas pudeles adapters

► Att.39

Sūknējiet pudelē iepildītu ūdeni viegli iztukšojiet to no plastmasas pudeles. Ūdens pudele var kalpot par ūdens avotu.

## ĮSPĖJIMAS

- Prietaisu negali naudotis vaikai. Būtina prižiūrėti vaikus, kad jie nežaistų su prietaisu.
- Asmenims (įskaitant vaikus), nesugebantiems saugiai naudotis prietaisu dėl savo psichinio, jutiminio arba protinio neįgalumo arba patirties bei žinių stokos, negalima naudotis šiuo prietaisu be už šių asmenų saugumą atsakingų asmenų priežiūros ir nurodymų.
- Suslėgtojo vandens srovės negalima nukreipti į žmones, elektros įrangą, kuria teka srovė, arba patį prietaisą.
- Prieš pradėdami bet kokius darbus su įrankiu, būtinai išjunkite prietaisą ir išimkite akumuliatoriaus kasetę.
- Nenaudokite prietaiso, jei pažeistos svarbios jo dalys, pvz., saugos įtaisai arba slėginės žarnos.
- Perskaitykite techninės priežiūros skirsnyje pateiktus nurodymus, kuriuose rasite išsamios informacijos apie atsargumo priemones atliekant naudotojo techninę priežiūrą.
- Sužinokite normalų akumuliatoriaus įkrovimo temperatūros intervalą. Perskaitykite akumuliatoriaus kasetės saugos instrukcijas ir sužinokite atsargumo priemones, kaip elgtis su akumuliatoriais.
- Perskaitykite surinkimo skirsnyje pateiktus nurodymus, kuriuose rasite išsamios informacijos apie atsargumo priemones įrengiant prietaisą.
- Sužinokite, koks aukščiausias vandens įvado slėgis. Perskaitykite techninių sąlygų skirsnyje pateiktą informaciją apie prijungimą prie vandentiekio tinklą.
- Visada naudokite su prietaisu pateiktus žarnų rinkinius. Perskaitykite surinkimo skirsnyje pateiktus nurodymus, kad sužinotumėte, kokios atsargumo priemonės taikomos jungiant prie vandentiekio tinklo.
- Naudojant negalima atidaryti vandens pildymo angos. Laikykitės surinkimo skirsnyje pateiktų nurodymų, kad išlaikytumėte vandens slėgį.
- Nenaudokite baseinuose, kuriuose yra vandens.
- Laikykitės vietinės vandentiekio bendrovės reikalavimų.

- Europos šalys:  
pagal standartą EN12729 (BA) prietaisą taip pat galima jungti prie miesto geriamojo vandens tiekimo tinklo, jei tiekimo žarnoje sumontuotas atgalinį srautą ribojantis vožtuvas su drenažiniu įtaisu.

## SPECIFIKACIJOS

|  |   |                         |
|--|---|-------------------------|
| <b>Modelis:</b>  |   | <b>DHW180</b>           |
| Didž. srauto sparta <sup>*1</sup><br>[Vandens tiekimas iš bako / vandens tiekimas iš vandentiekio] |   | 3,0 / 5,3 l/min         |
| Vandens srautas <sup>*2</sup>  | Didelio srauto režimas  | 2,5 l/min               |
|  | Mažo srauto režimas   | 1,5 l/min               |
| Aukščiausias darbinis slėgis   |   | 2,4 MPa                 |
| Darbinis slėgis <sup>*2</sup>  | Didelio srauto režimas<br>[Vandens tiekimas iš bako / vandens tiekimas iš vandentiekio] | 2,0 / 2,2 MPa           |
|  | Mažo srauto režimas<br>[Vandens tiekimas iš bako / vandens tiekimas iš vandentiekio]    | 0,8 / 0,8 MPa           |
| Didž. padavimo slėgis  |   | 0,5 MPa                 |
| Didž. padavimo temperatūra   |   | 40 °C                   |
| Didž. įsiurbimo aukštis  |   | 2,0 m                   |
| Vardinė įtampa   |   | Nuol. sr. 18 V          |
| Matmenys <sup>*3</sup><br>[ilgis x plotis x aukštis]   |   | 888 mm x 99 mm x 239 mm |
| Svoris   |   | 2,3–2,7 kg              |

\*1. be antgalio

\*2. purškimo schema 15°

\*3. su 5 funkcijų antgaliu ir ilgikliu

- Atliekame tęsinius tyrimus ir nuolatos tobuliname savo gaminius, todėl čia pateikiamos specifikacijos gali būti keičiamos be įspėjimo.
- Skirtingose šalyse specifikacijos gali skirtis.
- Svoris gali priklausyti nuo priedo (-ų), įskaitant akumuliatoriaus kasetę. Lengviausias ir sunkiausias deriniai pagal EPTA 2014 m. sausio mėn. procedūrą yra parodyti lentelėje.

### Tinkama akumuliatoriaus kasetė ir (arba) įkroviklis

|                        |   |
|------------------------|---|
| Akumuliatoriaus kasetė | BL1815N / BL1820B / BL1830B / BL1840B / BL1850B / BL1860B             |
| Įkroviklis             | DC18RC / DC18RD / DC18RE / DC18SD / DC18SE / DC18SF / DC18SH / DC18WC |

- Atsižvelgiant į gyvenamosios vietos regioną, kai kurios pirmiau nurodytos akumuliatoriaus kasetės ir įkrovikliai gali būti neprieinami.

**⚠️ ĮSPĖJIMAS:** Naudokite tik akumuliatoriaus kasetes ir įkroviklius, kurie nurodyti anksčiau. Naudojant bet kurias kitas akumuliatoriaus kasetes ir įkroviklius, gali kilti sužeidimo ir gaisro pavojus.

**⚠️ ĮSPĖJIMAS:** Su šia mašina nenaudokite laidu prijungiamo maitinimo šaltinio, pavyzdžiui, akumuliatoriaus adapterio ar nešiojamojo maitinimo šaltinio. Tokio maitinimo šaltinio kabelis gali trukdyti dirbti ir sukelti sužalojimų.

## Simboliai

Toliau yra nurodyti simboliai, kurie gali būti naudojami įrangai. Prieš naudodami įsitinkinkite, kad suprantate jų reikšmę.



Perskaitykite instrukcijų vadovą.



Būkite itin atsargūs ir dėmesingi.



Ni-MH  
Li-Ion

Taikoma tik ES šalims  
Kadangi įrangoje yra pavojingų komponentų, panaudota elektrinė ir elektroninė įranga, akumulatoriai ir baterijos gali turėti neigiamo poveikio aplinkai ir žmonių sveikatai.  
Nešalinkite elektros ir elektroninių prietaisų ar baterijų kartu su buitinėmis atliekomis! Pagal Europos direktyvą dėl elektros ir elektroninės įrangos atliekų bei akumulatorių ir baterijų ir panaudotų akumulatorių ir baterijų bei jos pritaikymą nacionaliniams įstatymams, panaudota elektros ir elektroninė įranga, baterijos ir akumulatoriai turi būti surenkami atskirai ir pristatomi į atskirą buitinį atliekų surinkimo punktą, kuris veikia pagal aplinkos apsaugos taisykles. Tai rodo perbrauktas konteinerio ant ratukų simbolis, pateiktas ant įrangos.



Nejunkite prie geriamojo vandens čiaupo.



Nenukreipkite čiuurkšlės tiesiai į žmones, įskaitant save, gyvūnus ir elektros įrangą su įtampa.

## Numatytoji naudojimo paskirtis

Šis įrankis skirtas nešvarumams valyti vandens srove buityje. Galimybė pasirinkti purškimo tipą pagerina įrankio plovimo ir vejos bei sodo laistymo funkcijas.

## SAUGOS ĮSPĖJIMAI

### SVARBŪS SAUGOS ĮSPĖJIMAI

**ĮSPĖJIMAS:** Perskaitykite visus saugos įspėjimus ir visą instrukciją. Nesilaikydami toliau pateiktų įspėjimų ir instrukcijų galite patirti elektros smūgį, gaisrą ir (arba) sunkų sužeidimą.

## Išsaugokite visus įspėjimus ir instrukcijas, kad galėtumėte jas peržiūrėti ateityje.

**ĮSPĖJIMAS.** Naudojant šį gaminį būtina visuomet imtis pagrindinių atsargumo priemonių, įskaitant šias:

### Darbo vietos sauga

1. Darbo vietoje negali būti kitų žmonių.
2. Nesiekite per toli ir nestovėkite ant nestabilių atramų. Visuomet tvirtai stovėkite ant žemės, išlaikykite pusiausvyrą.

3. Aukšto slėgio plovimo įrenginio korpusą visada statykite ant lygaus ir stabilaus pagrindo. Venkite vietų, kur išleistas vanduo tekėtų arba telkšotų.
4. Prieš valydami patikrinkite aplinką ir valomus objektus. Slėginiai purkštukai gali pažeisti dažus arba kitas paviršiaus apdorojimo priemones, įskaitant toksiškų chemikalus. Prireikus imkitės prevencinių priemonių.
5. Būkite atsargūs, kad neužkliūtumėte už aukšto slėgio plovimo įrenginio žarnos. Darbo metu nuolat stebėkite žarnos konfigūraciją.
6. Naudojimo metu iš aukšto slėgio plovimo įrenginio dugno negausiai teka vanduo. Nedirbkite įrankiu virš vietų, kurių nenorite sušlapinti.

### Asmeninė sauga

1. Norėdami apsisaugoti nuo čiuurkšlės ir daiktų, operatoriai privalo dėvėti tinkamus drabužius, t. y. avėti apsauginę avalynę, mūvėti apsaugines pirštines, nešioti apsauginius šalmus su skydeliais, klausos apsaugos priemonės ir pan.
2. Naudokite asmenines apsaugos priemones. Atsižvelgdami į naudojimo pobūdį, naudokite veido skydelį, apsauginius arba darbinus akinius, nes akių apsaugos priemonės gali sustabdyti skriejančias šiukšleles, susidarančias atliekant įvairias operacijas.
3. Nenaudokite aukšto slėgio plovimo įrenginio prie žmonių, jei jie nedėvi apsauginių drabužių.
4. Norint sumažinti sužalojimo riziką, kai gaminyje naudojamas netoli vaikų, būtina atidi priežiūra.
5. Prijungus prie geriamojo vandens sistemos, sistema bus apsaugota nuo atgalinės tėkmės.
6. Iš atgalinio vožtuvo ištekjęs vanduo yra laikomas netinkamu gerti.

### Elektros sauga

1. Akumulatoriaus kasečių niekada nelieskite šlapiomis rankomis.
2. Nenaudokite prietaiso, jei pažeistos svarbios jo dalys, pvz., saugos įtaisai arba slėginės žarnos.
3. Venkite pavojingos aplinkos. Nenaudokite šio įrankio drėgnoje arba šlapioje vietoje; saugokite jį nuo lietaus. Į šį įrankį patekęs vanduo padidina elektros smūgio pavojų.

### Elektrinio įrankio naudojimas ir priežiūra

1. Prieš naudodami šį gaminį, perskaitykite visas instrukcijas.
2. Žinokite, kaip greitai sustabdyti aukšto slėgio plovimo įrenginį ir sumažinti slėgį. Gerai susipažinkite su valdymo elementais.
3. Nepurškškite liepsniųjų ir (arba) toksiškų skysčių. Tai gali sukelti sprogamą, apsinuodijimą arba sugadinti prietaisą.
4. Nenukreipkite čiuurkšlės į save ar kitus, kad nuplautumėte drabužius ar avalynę.
5. Slėginės žarnos, tvirtinimo detalės ir movos yra svarbios prietaiso saugai užtikrinti. Naudokite tik gamintojo rekomenduojamas žarnos, tvirtinimo detales ir movas.
6. Laikykites nurodymų, kai keičiate priedus.
7. Rankenos turi būti švarios, sausos ir neištepotos alyva ar tepalu.

8. Būkite budrūs – stebėkite, ką darote.
  9. Nenaudokite gaminio, jeigu esate pavargę, apsvaigę nuo alkoholio arba narkotinių medžiagų.
  10. Neleiskite aukšto slėgio plovimo įrenginiui veikti be vandens ilgiau nei vieną minutę. Kitaip sugadinsite variklį ir sutriks jo veikimas.
  11. Prieš palikdami aukšto slėgio plovimo įrenginį be priežiūros, visada išjunkite maitinimą ir užsukite vandens tiekimą.
  12. Saugokitės atatrunkos. Įjungus antgalio slėginę srovę, prietaisas atšoka. Laikykitės prietaisą tvirtai, kad netyčia nesusižeistumėte.
  13. Prieš naudodami patikrinkite, ar nėra pažeistų arba susidėvėjusių dalių. Taip pat užtikrinkite, kad žarna būtų tinkamai prijungta ir darbo metu nebūtų nuotėkio. Naudojant prietaisą su funkciniais defektais, gali įvykti nelaimingas atsitikimas.
  14. Niekada netraukite už žarnos, norėdami pajudinti patį aukšto slėgio plovimo įrenginį. Kitaip galite apgadinti žarną ir jungiamąsias detales, o dėl to gali kilti trumpasis jungimas arba atsirasti veikimo defektų.
  15. Ant žarnos nedėkite sunkių daiktų ir neleiskite ant jos važiuoti transporto priemonėms.
  16. Prieš atjungdami žarną, visada išleiskite liekamąjį slėgį iš prietaiso.
  17. Kai jungiate žarną prie vandentiekio, laikykitės savo vietinio vandentiekio skyriaus ar įmonės nurodymų.
  18. Aukšto slėgio plovimo įrenginį numetus arba trinkelėjus į kietą daiktą, būtina patikrinti, ar jis nepažeistas ir neįtrūko. Naudojant sugadintą aukšto slėgio plovimo įrenginį, gali imti rūkti dūmai, kilti gaisras arba galima patirti elektros šoką ir susižaloti.
  19. Pasirūpinkite, kad netyčia neįjungtumėte įrankio. Prieš jungdami prie akumuliatoriaus, prieš paimdami ar nešdami prietaisą, visuomet patikrinkite, ar išjungtas jo jungiklis. Nešant prietaisą uždėjus pirštą ant jo jungiklio arba įjungiant įrankį į elektros tinklą, kai jo jungiklis yra įjungtas, gali įvykti nelaimingas atsitikimas.
  20. Prieš atlikdami bet kokius reguliavimo, priedų keitimą arba paruošimo sandėliuoti darbus, atjunkite prietaisą nuo akumuliatoriaus. Tokios atsargumo priemonės sumažina riziką atsitiktinai įjungti prietaisą.
  21. Nemodifikuokite ar nebandykite remontuoti prietaiso arba akumuliatoriaus, jei tai nėra nurodyta naudojimo ir priežiūros instrukcijose.
  22. ĮSPĖJIMAS. Įsvirkštimo ar sužalojimo pavojus. Nenukreipkite išleidžiamos srovės į žmones.
  23. Įsitinkite, kad valomas objektas arba plotas yra patvarus ir atsparus vandens srovei. Kitaip galite sugadinti daiktą arba vietą ir ką nors sužaloti.
2. Elektrinius įrankius naudokite tik su specialiai jiems skirtais akumuliatoriais. Naudojant bet kurį kitą akumuliatorių gali kilti sužeidimo ir gaisro pavojus.
  3. Kai akumuliatoriaus nėra naudojamas, laikykite jį toliau nuo kitų metalinių daiktų, pavyzdžiui, popieriaus sąvaržėlių, monetų, raktų, vinių, varžtų ir kitų mažų metalinių daiktų, dėl kurių gali kilti trumpasis jungimas tarp kontaktų. Akumuliatorių kontaktų trumpasis jungimas gali būti nudegimų arba gaisro priežastimi.
  4. Netinkamai naudojant iš akumuliatoriaus gali ištekėti skysčio. Venkite sąlyčio su juo. Jei sąlytis atsitiktinai įvyko, gausiai nuplaukite vandeniu. Jei skysčio pateko į akis, kreipkitės į gydytoją. Iš akumuliatoriaus išbėgęs skystis gali sudirginti arba nudeginti odą.
  5. Nenaudokite sugadinto ar modifikuoto akumuliatoriaus arba įrankio. Sugadinti arba modifikuoti akumuliatoriai gali veikti neįprastai, todėl gali kilti gaisras, sproginimas arba sužalojimo rizika.
  6. Saugokite akumuliatorių arba įrankį nuo ugnies ar pernelyg aukštos temperatūros. Dėl ugnies ar 130 °C viršijančios temperatūros gali kilti sproginimas.
  7. Laikykitės visų įkrovimo nurodymų ir nekraukite akumuliatoriaus ar įrankio, kai temperatūra neatitinka nurodymuose pateikto temperatūros intervalo. Netinkamai įkraunant arba įkraunant esant kitam nei nustatytas temperatūros intervalui, gali būti sugadintas akumuliatorius ar padidėti gaisro rizika.

#### Techninė priežiūra

1. Laikykitės vadove pateikiamų techninės priežiūros instrukcijų.
2. Kad užtikrintumėte prietaiso saugą, naudokite tik originalias gamintojo arba gamintojo patvirtintas atsargines dalis.
3. Aukšto slėgio plovimo įrenginio priežiūrą patikėkite kvalifikuotam remonto meistrui, naudojančiam tik identiškas atsargines dalis. Taip užtikrinsite, kad aukšto slėgio plovimo įrenginys liktų saugus naudoti.
4. Aukšto slėgio plovimo įrenginiui sugedus arba blogai veikiant, nedelsdami jį išjunkite ir išimkite akumuliatoriaus kasetę (-es). Kreipkitės į vietinį įgaliotąjį atstovą arba priežiūros centrą.

#### Papildomi įspėjimai dėl saugos

1. Nenaudokite įrankio, kai yra žaibavimo pavojus.
2. Kai naudojate įrankį ant purvinos dirvos, drėgno nuolydžio ar slidžios vietos, atkreipkite dėmesį į pagrindą po kojomis.
3. Venkite dirbti netinkamoje aplinkoje, kurioje tikėtina, kad naudotojas labiau pavargs.
4. Nekeiskite akumuliatoriaus lyjant.
5. Nėpanardinkite įrankio į balą.
6. Įrankio laikymo vietos neturėtų pasiekti tiesioginiai saulės spinduliai ir lietus; laikykite ten, kur jis nesušlaps ir neįkais.
7. Baigę naudoti įrankį, prieš statydami jį sandėliuoti, pašalinkite prikibusius nešvarumus ir visiškai išdžiovinkite įrankį. Priklausomai nuo sezono arba regiono, dėl užšalimo mašina gali sugesti.

#### Akumuliatorinio įrankio naudojimas ir priežiūra

1. Įkraukite naudodami tik gamintojo nurodytą įkroviklį. Įkroviklis, kuris tinka vienam akumuliatorių tipui įkrauti, gali kelti gaisro pavojų, jei bus naudojamas su kitų tipų akumuliatoriais.

8. Negalima šlapinti akumuliatoriaus gnybto skysčiu, pvz., vandeniu, arba panardinti akumuliatoriaus. Nepalikite akumuliatoriaus lietuje, neįkraukite, nenaudokite ir nekeiskite akumuliatoriaus šlapioje arba drėgnoje vietoje. Jei gnybtas sušlampa arba į akumuliatoriaus vidų patenka skysčio, gali kilti trumpasis akumuliatoriaus jungimas ir perkaitimo, gaisro arba sprogimo pavojus.
9. Išėmę akumuliatorių iš įrankio arba įkroviklio, būtinai uždėkite akumuliatoriaus dangtelį ant akumuliatoriaus ir laikykite jį sausoje vietoje.
10. Nekeiskite akumuliatoriaus šlapiomis rankomis.
11. Jei prietaisas užšalo dėl šalto oro, kreipkitės į įgaliotąjį priežiūros centrą dėl remonto.
12. Su šiuo prietaisu nenaudokite laidinio maitinimo šaltinio, pvz., akumuliatoriaus adapterio arba nešiojamojo maitinimo šaltinio. Tokio maitinimo šaltinio kabelis gali trukdyti dirbti ir dėl to galima susižaloti.
6. Nelaikykite ir nenaudokite įrankio ir akumuliatoriaus kasetės vietoje, kur temperatūra gali pasiekti ar viršyti 50 °C (122 °F).
7. Nedeginkite akumuliatoriaus kasetės, net jei yra stipriai pažeista ar visiškai susidėvėjusi. Ugnyje akumuliatoriaus kasetė gali sprogti.
8. Akumuliatoriaus kasetės nekalkite, nepaus-tykite ir nemėtykite ir taip pat į ją netrankykite kietu daiktu. Taip elgiantis, ji gali užsidegti, per daug įkaisti arba sprogti.
9. Nenaudokite pažeisto akumuliatoriaus.
10. Įdėtos ličio jonų akumuliatoriams taikomi Pavojingų prekių teisės akto reikalavimai. Komeracinis transportas, pvz., trečiųjų šalių, prekių vežimo atstovų, turi laikytis specialaus reikalavimo ant pakuotės ir ženklavimo. Norėdami paruošti siųstiną prekę, pasitarkite su pavojingų medžiagų specialistu. Be to, laikykitės galimai išsamesnių nacionalinių reglamentų. Užklijuokite juosta arba padenkite atvirus kontaktus ir supakuokite akumuliatorių taip, kad ji pakuotėje nejudėtų.

## SAUGOKITE ŠIAS INSTRUKCIJAS.

**⚠️ PERSPĖJIMAS:** NELEISKITE, kad patogumas ir gaminio pažinimas (įgyjamas pakartotinai naudojant) susilpnintų griežtą saugos taisyklių, taikytinų šiam gaminiui, laikymąsi.

Dėl NETINKAMO NAUDOJIMO arba saugos taisyklių, kurios pateiktos šioje instrukcijoje, nesilaikymo galima rimtai susižeisti.

### Svarbios saugos instrukcijos, taikomos akumuliatoriaus kasetei

1. Prieš naudodami akumuliatoriaus kasetę, perskaitykite visas instrukcijas ir perspėjimus ant (1) akumuliatorių įkroviklio, (2) akumuliatorių ir (3) akumuliatorių naudojančio gaminio.
2. Neardykite ir negadinkite akumuliatoriaus kasetės. Dėl to ji gali užsidegti, per daug įkaisti arba sprogti.
3. Jei įrankio darbo laikas žymiai sutrumpėjo, nedelsdami nutraukite darbą su įrankiu. Tai gali kelti perkaitimo, nudegimų ar net sprogimo pavojų.
4. Jei elektrolitas pateko į akis, plaukite jas tyru vandeniu ir nedelsdami kreipkitės į gydytoją. Gali kilti regėjimo praradimo pavojus.
5. Neužtrumpinkite akumuliatoriaus kasetės:
  - (1) Nelieskite kontaktų degiomis medžiagomis.
  - (2) Venkite laikyti akumuliatoriaus kasetę kartu su kitais metaliniais daiktais, pavyzdžiui, vinimis, monetomis ir pan.
  - (3) Saugokite akumuliatoriaus kasetę nuo vandens ir lietaus.

Trumpasis jungimas akumuliatoriuje gali sukelti stiprią srovę, perkaitimą, galimus nudegimus ar net akumuliatoriaus gedimą.
11. Kai išmetate akumuliatoriaus kasetę, išimkite ją iš įrankio ir išmeskite saugioje vietoje. Vadovaukitės vietos reglamentais dėl akumuliatorių išmetimo.
12. Baterijas naudokite tik su „Makita“ nurodytais gaminiais. Baterijas įdėjus į netinkamus gaminius gali kilti gaisras, gaminyje pernelyg kaisti, kilti sprogimas arba pratekėti elektrolitas.
13. Jei įrankis bus ilgą laiką nenaudojamas, akumuliatorių būtina išimti iš įrankio.
14. Darbo metu ir po akumuliatoriaus kasetė gali būti įkaitusi ir dėl to nudeginti. Imdami akumuliatoriaus kasetes, būkite atsargūs.
15. Tuojau pat po naudojimo nelieskite įrankio gnybtų, nes jie gali būti įkaitę tiek, kad nudegins.
16. Neleiskite, kad į akumuliatoriaus kasetės gnybtus, angas ir griovelius patektų drožlių, dulkių ar žemių. Jos gali sukelti kaitimą, užsidegti, sprogti ir sukelti įrankio ar akumuliatoriaus kasetės gedimą, dėl ko galima nusideginti ar susižaloti.
17. Jeigu įrankis nėra pritaikytas naudoti šalia aukštos įtampos elektros linijų, akumuliatoriaus kasetės nenaudokite šalia aukštos įtampos elektros linijų. Dėl to gali sutrikti įrankio ar akumuliatoriaus kasetės veikimas arba jie gali sugesti.
18. Laikykite akumuliatorių vaikams nepasiekiamoje vietoje.

## SAUGOKITE ŠIAS INSTRUKCIJAS.

**⚠️ PERSPĖJIMAS:** Naudokite tik originalų „Makita“ akumuliatorių. Neoriginalaus „Makita“ arba pakeisto akumuliatoriaus naudojimas gali nulemti gaisrą, asmens sužalojimą ir pažeidimą. Tai taip pat panaikina „Makita“ suteikiamą „Makita“ įrankio ir įkroviklio garantiją.

## Patarimai, ką daryti, kad akumulatorius veiktų kuo ilgiau

1. Pakraukite akumulatoriaus kasetę prieš jai visiškai išsikraunant. Visuomet nustokite naudoti įrankį ir pakraukite akumulatoriaus kasetę, kai pastebite, kad įrankio galia sumažėjo.
2. Niekada nekraukite iki galo įkrautos akumulatoriaus kasetės. Perkraunant trumpėja akumulatoriaus eksploatacijos laikas.
3. Akumulatoriaus kasetę kraukite esant kambario temperatūrai 10 - 40 °C. Prieš pradėdami krauti, leiskite įkaitusiai akumulatoriaus kasetei atvėsti.
4. Kai akumulatoriaus kasetės nenaudojate, ją išimkite iš įrankio ar įkroviklio.
5. Įkraukite akumulatoriaus kasetę, jei jos nenaudojate ilgą laiką (ilgiau nei šešis mėnesius).

## VEIKIMO APRAŠYMAS

**▲ PERSPĖJIMAS:** Prieš pradėdami reguliuoti arba tikrinti įrankio veikimą, visuomet būtinai išjunkite įrankį ir išimkite akumulatoriaus kasetę.

### Akumulatoriaus kasetės uždėjimas ir nuėmimas

**▲ PERSPĖJIMAS:** Prieš įdėdami arba išimdami akumulatoriaus kasetę, visada išjunkite įrankį.

**▲ PERSPĖJIMAS:** Įdėdami arba išimdami akumulatoriaus kasetę, tvirtai laikykite įrankį ir akumulatoriaus kasetę. Jeigu įrankį ir akumulatoriaus kasetę laikysite netvirtai, jie gali išslysti iš jūsų rankų, todėl įrankis ir akumulatoriaus kasetė gali būti sugadinti, o naudotojas sužalotas.

**▲ PERSPĖJIMAS:** Atidarydami arba uždarydami akumulatoriaus skyriaus dangtelį, būkite atsargūs, kad neprisipaustumėte pirštų.

Atidarykite dangtelį spausdami fiksavimo svirtelę.

► **Pav.1:** 1. Dangtis 2. Fiksavimo svirtelė

Sulygiuokite liežuvėlį ant akumulatoriaus kasetės su grioveliu korpuse ir įstumkite į jai skirtą vietą. Įstatykite iki pat galo, kad spragtelėdama užsifiksuotų. Jei matote raudoną sandariklį (indikatorių), kaip parodyta paveikslėlyje, vadinasi, ji nėra visiškai užfiksuota.

► **Pav.2:** 1. Raudonas sandariklis (indikatorius) 2. Mygtukas 3. Akumulatoriaus kasetė

Įdėję arba išėmę akumulatoriaus kasetes, būtinai uždarykite dangtelį.

Norėdami nuimti akumulatoriaus kasetę, atidarykite dangtelį, nustumkite akumulatoriaus kasetę nuo įrankio, spausdami priekyje esantį mygtuką, tada uždarykite dangtelį.

**▲ PERSPĖJIMAS:** Akumulatoriaus kasetę visada įkiškite iki galo, kol nebematysite raudono sandariklio (indikatoriaus) Priešingu atveju ji gali atsitiktinai iškristi iš įrankio ir sužeisti jus arba aplinkinius.

**▲ PERSPĖJIMAS:** Nekiškite akumulatoriaus kasetės jėga. Jeigu kasetė sunkiai lenda, ją kišate netinkamai.

**▲ PERSPĖJIMAS:** Prieš naudodami būtinai užfiksuokite dangtelį.

## Įrankio / akumulatoriaus apsaugos sistema

Įrankyje įrengta įrankio (akumulatoriaus) apsaugos sistema. Ši sistema automatiškai atjungia variklio maitinimą, kad įrankis ir akumulatorius ilgiau veiktų. Susidarius vienai iš toliau nurodytų įrankio arba akumulatoriaus veikimo sąlygų, veikdamas įrankis automatiškai sustoja ir pateikia indikaciją.

► **Pav.3:** 1. Indikatorius

### Apsauga nuo perkrovos

Kai įrankis arba akumulatorius naudojamas taip, kad neįprastai padidėja srovės stipris, įrankis automatiškai sustoja ir įsijungia raudonas sandariklis (indikatorius). Tokiu atveju išjunkite įrankį ir nutraukite darbą, dėl kurio kilo įrankio perkrova. Tada įjunkite įrankį, kad paleistumėte iš naujo.

### Apsauga nuo perkaitimo

Jei įrankis arba akumulatorius perkaista, įrankis automatiškai sustoja ir įsijungia raudonas sandariklis (indikatorius). Tokiu atveju palaukite, kol įrankis atvės, paskui vėl jį įjunkite.

### Apsauga nuo visiško išsekvojimo

Kai akumulatorius išsikrauna, ima mirksėti raudonas sandariklis (indikatorius). Kai akumulatorius beveik išsikrauna, įrankis automatiškai sustoja ir užsideda raudonas sandariklis (indikatorius). Tokiu atveju ištraukite akumulatorių iš įrankio ir jį įkraukite.

### Apsauga nuo kitų sutrikimų

Apsaugos sistema taip pat apsaugo nuo kitų sutrikimų, galinčių pažeisti įrankį, todėl automatiškai jį išjungia. Įrankiui laikinai sustojus arba veikimo metu išsijungus, imkitės visu toliau nurodytų veiksmų ir pašalinkite sutrikimo priežastis.

1. Išjunkite įrankį, tada vėl įjunkite, kad paleistumėte iš naujo.
2. Įkraukite akumulatorių (-ius) arba jį (juos) pakeiskite įkrautu (-ais) akumulatoriumi (-iais).
3. Palaukite, kol įrankis ir akumulatorius (-iai) atvės.

Jei atstačius apsaugos sistemą veikimas nepagerėja, kreipkitės į vietos „Makita“ techninės priežiūros centrą.

**PASTABA:** Jei įrankis sustoja dėl pirmiau neapibūdintos priežasties, žr. gedimų šalinimo skyrį.

## Likusios akumulatoriaus galios rodymas

### Tik akumulatoriaus kasetėms su indikatoriumi

Paspauskite akumulatoriaus kasetės tikrinimo mygtuką, kad būtų rodoma likusi akumulatoriaus energija. Maždaug trims sekundėms užsidegs indikatorių lemputės.

► **Pav.4:** 1. Indikatorijų lemputės 2. Tikrinimo mygtukas

| Indikatorijų lemputės |           |        | Likusi galia                                  |
|-----------------------|-----------|--------|---|
| Šviečia               | Nešviečia | Blyksi |   |
| ■                     | □         | ◐      | 75 - 100 %                                    |
| ■                     | ■         | ■      |   |
| ■                     | ■         | □      | 50 - 75 %                                     |
| ■                     | ■         | □      | 25 - 50 %                                     |
| ■                     | □         | □      | 0 - 25 %                                      |
| ◐                     | □         | □      | Įkraukite akumuliatorių.                      |
| ◐                     | □         | □      |   |
| ■                     | ■         | □      | Galimai įvyko akumulatoriaus veikimo triktis. |
| □                     | □         | ■      |   |

**PASTABA:** Rodmuo gali šiek tiek skirtis nuo faktinės energijos lygio – tai priklauso nuo naudojimo sąlygų ir aplinkos temperatūros.

**PASTABA:** Veikiant akumulatoriaus apsaugos sistemai ims mirksėti pirmoji (toliausiai kairėje) indikatoriaus lemputė.

## Slėgio režimo jungiklis

Pasirinkite pageidaujimą slėgio režimą, stumdydami jungiklio svirtelę pirmyn ir atgal.

Patraukite svirtelę atgal, kad būtų įjungtas žemo slėgio režimas ir ant jungiklio būtų rodomas numerio simbolis „1“. Pastumkite svirtelę pirmyn, kad būtų įjungtas aukšto slėgio režimas ir ant jungiklio būtų rodomas numerio simbolis „2“.

► **Pav.5:** 1. Mažo slėgio režimas (1) 2. Aukšto slėgio režimas (2) 3. Slėgio režimo jungiklio svirtelė

## Gaidukas

Aukšto slėgio plovimo įrenginys turi apsauginį gaiduko užraktą. Norėdami atlaisvinti gaiduko užraktą, išspauskite užrakto mygtuką į gaiduką, kad gaiduko paviršius taptų plokščias.

Norėdami įjungti vandens srovę, paspauskite gaiduką. Srovė teka tol, kol spaudžiamas gaidukas.

► **Pav.6:** 1. Gaidukas 2. Užrakinimo mygtukas

Norėdami įjungti gaiduko užraktą, išspauskite užrakinimo mygtuką atgal iš gaiduko vidaus.

Kai aukšto slėgio plovimo įrenginys nenaudojamas, būtina užrakinti gaiduką.

► **Pav.7:** 1. Gaidukas 2. Užrakinimo mygtukas

## Antgalio funkcijos

Daugiafunkcis (5 schemų) purškimo antgalis pasižymi įvairiomis purškimo schemomis, kurias galima reguliuoti atsižvelgiant į plovimo poreikius. Viename antgalyje sujungtos penkios dažniausiai naudojamos purškimo schemos, todėl nebereikia perjunginėti antgalių: tiesiog pasirinkite reikiamą purškimo schemą savo užduočiai atlikti.

**Paprasta keisti purkštukus: 0°, 15°, 25°, 40° arba dušo**  
► **Pav.8**

► **Pav.9:** 1. Purškimo schemos simbolis 2. Trikampio ženklas

Pasukite purkštuko galvutę kairėn arba dešinėn į norimos purškimo schemos padėtį. Tinkamai sulygiuokite norimą pasirinkti purškimo schemos simbolį su trikampio ženklu, kad purkštuko galvutė spragtelėdama užsifikuotų.

► **Pav.10**

**PASTABA:** Būkite atsargūs ir nenustatykite antgalio galvutės be spragtelėjimo. Priešingu atveju įrankis gali sukurti netaisyklingą purškimo schemą, dėl kurios gali atsirasti vandens nuotėkių.

**APERSPĖJIMAS:** Stenkitės, kad keičiant purškimo schemą antgalio korpusas nesisuktų kartu. Kitaip antgalis gali atsiskirti nuo įrankio korpuso ir sužaloti žmogų.

## Apsauginis vožtuvas

Šiame įrankyje sumontuotas apsauginis vožtuvas, kuris saugo nuo pernelyg aukšto slėgio.

**APERSPĖJIMAS:** Nekeiskite ir nereguliuokite apsauginio vožtuvo nuostatos.

## SURINKIMAS

**APERSPĖJIMAS:** Prieš darydami ką nors įrankiui visada patikrinkite, ar įrenginys išjungtas, o akumulatorių kasetė – nuimta.

## Antgalio ir lanceto ilgiklio montavimas

**APERSPĖJIMAS:** Prieš prijungdami (nuimdami) antgalį ir ilgiklį, visada užrakinkite gaiduką.

### Antgalis

Sulygiuokite kreipiamąsias iškyšas antgalio gale su užrakinimo lizdais įrankio korpusė. Stumkite antgalį iki galo, kol dvi trikampio žymos ant antgalio ir korpuso bus nukreiptos viena į kitą. Tada pasukite antgalį paveikslėlyje nurodyta kryptimi, kad užfiksuojumėte užraktą. Sumontavę antgalį, pabandykite jį patraukti atgal, kad įsitikintumėte, jog jis tvirtai laikosi savo vietoje.

► **Pav.11:** 1. Antgalis 2. Kreipiamoji iškyša  
3. Užrakinimo lizdas 4. Trikampio žymos  
5. Į pilvinį peleką panašus kontūras



**PASTABA:** Užtikrinkite, kad pilvinio peleko forma primenantis kontūras būtų nukreiptas žemyn.

Norėdami nuimti antgalį, paspauskite ir palaikykite jį prispausta prie įrankio korpuso, tada pasukite prieš laikrodžio rodyklę, kad dvi trikampio žymos atsидurtų viena priešais kitą. Atrakintą antgalį nuimkite nuo įrankio korpuso.

### Lanceto ilgiklis

Skirtas sunkiai pasiekiamoms vietoms laistyti. Sumontuokite lanceto ilgiklį tarp įrankio korpuso ir antgalio, atlikdami tuos pačius veiksmus, kaip aprašyta montuojant antgalį.

- **Pav.12:** 1. Lanceto ilgiklis 2. Įrankio korpusas  
3. Antgalis 4. Kreipiamosios iškyšos  
5. Užrakinimo lizdas 6. Trikampio žymos

Norėdami atjungti priedus, paspauskite ir palaikykite galiuko priedą prispausta prie laikiklio (korpuso), tada pasukite prieš laikrodžio rodyklę, kad dvi trikampio žymos atsидurtų viena priešais kitą. Atrakintą priedą nuimkite nuo laikiklio (korpuso).

## Prijungimas prie vandens šaltinio (bako)

**PASTABA:** Vandeniui tiekti visada naudokite su šiuo įrankiu pateiktą slėginę žarną ir koštuvą.

**PASTABA:** Tarp aukšto slėgio plovimo įrenginio įvado ir vandens paviršiaus visada turi būti išlaikytas ne didesnis nei 2,0 m aukštis. Priešingu atveju aukšto slėgio plovimo įrenginys negalės įtraukti vandens į siurbį.

**PASTABA:** Pripilkite daugiau nei 25 mm vandens į indą, kad koštuvus būtų visiškai panardintas vandenyje.

Vanduo gali būti tiekiamas iš bet kokio dydžio bako, talpyklos arba rezervuaro. Vandens bakas skirtas tokiems plovimo slėginium būdu atvejams, pvz., automobiliui plauti, sodininkystei ir pan., kai vandens nėra ir jį reikia nugabenti į plovimo vietą.

1. Prie vieno slėginės žarnos galo pritvirtinkite koštuvą. Įkiškite koštuvo išvadą į jungiamąją movą ir stumkite tol, kol koštuvus bus užfiksuotas.

- **Pav.13:** 1. Koštuvus 2. Jungiamoji mova 3. Slėginė žarna

2. Palikite koštuvą ant vandens talpyklos dugno.

► **Pav.14:** 1. Koštuvus 2. Slėginė žarna 3. Žarnos kabliukas

**PASTABA:** Naudodami pridėdamą žarnos kabliuką, pakabinkite žarną palei angą taip, kad koštuvus talpyklos dugne nejudėtų.

3. Kitą žarnos galą prijunkite prie aukšto slėgio plovimo įrenginio vandens žarnos jungties.

Uždėkite jungiamąją movą ant jungties įvado ir stumkite, kol jungiamoji mova bus užfiksuota.

- **Pav.15:** 1. Jungiamoji mova 2. Vandens žarnos jungtis

**⚠ PERSPĖJIMAS:** Patikrinkite, ar aukšto slėgio žarna yra saugiai prijungta. Jeigu jungtis laisva, aukšto slėgio žarna gali nušokti ir sužaloti.

**PASTABA:** Kai aukšto slėgio režimu reikia pakelti vandenį iš tam tikro gylio, iš anksto įleiskite vandenį į aukšto slėgio plovimo įrenginį ir žarną.

## Prijungimas prie vandentiekio

**⚠ PERSPĖJIMAS:** Vandeniui tiekti visada naudokite su šiuo įrankiu pateiktą slėginę žarną.

**PASTABA:** Jeigu prijungsite prie geriamojo vandens vandentiekio, naudokite atbulinį vožtuvą, atitinkantį Jūsų regiono taisykles.

**PASTABA:** Palaikyti žemesnį nei 0,5 MPa tiksliausio tiekimo įleidžiamo vandens slėgį. Neviršykite aukščiausio tiekimo slėgio, nes įrankiu nustojus veikti gali atsirasti vandens nuotėkių.

Vanduo gali būti tiekiamas iš vandentiekio, kuris pasiekiamas plovimo zonoje arba objekte. Nuolatinis vandens tiekimas leidžia nesirūpinti vandens atsargų papildymu ir efektyviai vykdyti buitinio plovimo bei sodininkystės darbus, pvz., valyti konkrečias vietas, skalauti ir laistyti didelį vejotą arba augmenijos plotą.

1. Prijunkite slėginę žarną prie čiaupo.

Užfiksuokite prie čiaupo prijungtą žarną tinkama tvirtinimo detaile arba vandens čiaupo jungtimi.

- **Pav.16:** 1. Vandens čiaupo jungtis 2. Jungiamoji mova 3. Slėginė žarna

**PASTABA:** Tvirtinimo detalės tipą reikia pasirinkti pagal čiaupo, prie kurio norima jungti, formą. Paruoškite tinkamą atskirai įsigytą tvirtinimo detalę.

2. Kitą žarnos galą prijunkite prie aukšto slėgio plovimo įrenginio vandens žarnos jungties.

Uždėkite jungiamąją movą ant jungties įvado ir stumkite, kol jungiamoji mova bus užfiksuota.

- **Pav.17:** 1. Jungiamoji mova 2. Vandens žarnos jungtis

## Putų antgalio įrengimas

### Pasirenkamas priedas

**⚠ PERSPĖJIMAS:** Prieš prijungdami (nuimdami) pasirinktinius priedus, visada užrakininkite gaiduką.

**PASTABA:** Naudokite tik neutralų ploviklį. Nenaudokite buitinių ploviklių, rūgštinių ploviklių, šarminių ploviklių, baliklių, tirpiklių, liepsniųjų medžiagų arba pramoninių tirpalų, kurie gali sugadinti įrankį arba jį sužeisti. Pasiruoškite valymo tirpalo, kaip nurodyta ant tirpalo buteliuko, ir visada iš anksto išbandykite jį nepastebimoje vietoje.

**PASTABA:** Jeigu bus naudojamas labai klampus ploviklis, antgalis gali užsikimšti. Prieš naudodami didelės klampos ploviklį, atskieskite jį į buteliuką įpildami vandens.

**PASTABA:** Naudojant putų antgalį, buteliuke esantis ploviklis atskiedžiamas įrankio tiekiamu vandeniu ir išpurškiamas. Buteliuke esančios ploviklio koncentracijos nesiekite daugiau nei reikia. Ploviklio koncentraciją koreguokite tikrinami naudojimo sąlygas.

**PASTABA:** Jei putų antgalis bus apverstas ant šono, gali išsilieti ploviklio.

Prieš naudodami putų antgalį, pasiruoškite ploviklį.

1. Pripildykite talpyklą ploviklio. Prijunkite antgalį prie bako ir gerai sumontuokite dangtį.
  2. Pakreipkite putų antgalį, kad jo kreipiamosios iškyšos sutaptų su įrankio korpuse esančiais užrakinimo lizdais. Įstumkite antgalį iki galo ir palaikykite jį vietoje. Tada pasukite putų antgalį paveikslėlyje nurodyta kryptimi, kad sujungtumėte užraktą.
- **Pav.18:** 1. Putų antgalis 2. Bakas 3. Kreipiamoji iškyša 4. Užrakinimo lizdas

Sumontavę antgalį, pabandykite jį patraukti atgal, kad įsitikintumėte, jog jis tvirtai laikosi savo vietoje.

3. Pasukite ploviklio ratuką, kad sureguliuotumėte ploviklio tirpalo įsiurbimo tūrį.
- **Pav.19:** 1. Ploviklio ratukas 2. Minimalus lygis 3. Maksimalus lygis

## Pasirinktinių antgalių montavimas

### Pasirenkamas priedas

**⚠ PERSPĖJIMAS:** Prieš prijungdami (nuimdami) pasirinktinius priedus, visada užrakininkite gaiduką.

Sulygiuokite pasirinktinio antgalio kreipiamąsias iškyšas su užrakinimo lizdais įrankio korpuse. Įstumkite antgalį iki galo ir palaikykite jį vietoje. Tada pasukite antgalį paveikslėlyje nurodyta kryptimi, kad užfiksuotumėte užraktą.

Sumontavę antgalį, pabandykite jį patraukti atgal, kad įsitikintumėte, jog jis tvirtai laikosi savo vietoje.

- **Pav.20:** 1. Antgaliai 2. Kreipiamoji iškyša 3. Užrakinimo lizdas

Norėdami nuimti antgalį, paspauskite ir palaikykite jį prie įrankio korpuso, tada pasukite prieš laikrodžio rodyklę, kad atlaisvintumėte užraktą. Atrakinę antgalį nuimkite nuo aukšto slėgio plovimo įrenginio.

## Plastikinio butelio adapterio įrengimas

### Pasirenkamas priedas

**⚠ PERSPĖJIMAS:** Prieš prijungdami (nuimdami) pasirinktinius priedus, visada užrakininkite gaiduką.

**⚠ PERSPĖJIMAS:** Nepamirškite prie aukšto slėgio plovimo įrenginio ir plastikinio butelio tvirtai pritvirtinti plastikinio butelio adapterio. Jei to nepadarysite, butelis gali nukristi ir ką nors sužaloti.

**PASTABA:** Vandeniui laikyti rekomenduojamas 2 litrų (pusės galono) plastikinis butelis.

1. Įpilkite vandens į plastikinį butelį.
2. Įdėkite į butelį siurbimo vamzdį.
3. Pritvirtinkite adapterį prie butelio, prisukdami jungiamosios movos veržlę.
4. Pritvirtinkite plastikinio butelio adapterį prie aukšto slėgio plovimo įrenginio vandens žarnos jungties.

Uždėkite jungiamąją movą ant jungties įvadą ir stumkite, kol jungiamoji mova bus užfiksuota.

- **Pav.21:** 1. Plastikinio butelio adapteris 2. Siurbimo vamzdis 3. Plastikinis butelis 4. Vandens žarnos jungtis

## NAUDOJIMAS

**⚠ PERSPĖJIMAS:** Nelieskite vandens čiurkšlės ir nenukreipkite jos savęs ar kitų žmonių link. Vandens čiurkšlė yra pavojinga ir gali sužeisti Jus ar kitus asmenis.

**⚠ PERSPĖJIMAS:** Kai purškiate vandens čiurkšlę, niekada nelaikykite valomo daikto ir nedėkite savo rankų ir kojų arti vandens čiurkšlės.

**⚠ PERSPĖJIMAS:** Neleiskite aukšto slėgio plovimo įrenginiui veikti be vandens ilgiau nei 1 minutę.

**⚠ PERSPĖJIMAS:** Nedirbkite aukšto slėgio plovimo įrenginiu per ilgai. Kitaip jis gali perkaisti arba gali kilti gaisras. Be to, ilgalaikis naudojimas gali sukelti vibracijos sutrikimų.

**⚠ PERSPĖJIMAS:** Žinokite vėjo kryptį. Jeigu ploviklio patektų į akis ar burną, skubiai plaukite švariu vandeniu ir, jeigu reikia, kreipkitės į medikus.

**PASTABA:** Kad apsaugotumėte aukšto slėgio plovimo įrenginio mechanizmą, nenaudokite karštesnio nei 40 °C (104 °F) vandens.

**PASTABA:** Nenaudokite nevalyto vandens, pvz., iš upės, tvenkinio, smėlėto arba purvino vandens. Dėl nefiltruoto nešvaraus vandens siurblyje gali susikaupti nepageidaujamų medžiagų, todėl gali sutrikti jo veikimas.

### Vandens pakėlimo aukštis

Vertikalus aukštis nuo vandens šaltinio iki aukšto slėgio plovimo įrenginio įsiurbimo angos turi būti ne didesnis nei 2,0 m.

### Vandens aukštis

Pripilkite į talpyklą vandens, kad jo aukštis būtų didesnis nei 25 mm nuo dugno.

- **Pav.22:** 1. Vandens pakėlimo aukštis 2. Vandens aukštis

### Bazinio naudojimo žingsniai

1. Prijunkite vandens žarnos įvadą prie vandens tiekimo šaltinio.
2. Prijunkite vandens žarnos išvadą prie aukšto slėgio plovimo įrenginio.

- **Pav.23**

3. Jei po paskutinio naudojimo aukšto slėgio plovimo įrenginyje likęs vanduo buvo išleistas, įsiurbkite vandenį į slėginę žarną ir aukšto slėgio plovimo įrenginį.

Leiskite vandeniui tekėti žarna ir plovimo įrenginiu, kol iš jų ištėkės visas oras.

(1) Nuimkite antgalį nuo aukšto slėgio plovimo įrenginio.

(2) Sumontuokite akumulatoriaus kasetę ant aukšto slėgio plovimo įrenginio.

(3) Pasirinkite aukšto slėgio režimą.

(4) Atrakinkite gaiduką.

(5) Paspauskite ir palaikykite gaiduką, kol aukšto slėgio plovimo įrenginys ims generuoti stabilią vandens srovę.

► **Pav.24:** 1. Slėgio režimo jungiklio svirtelė

Panaikinę aukšto slėgio plovimo įrenginio ir žarnos oro kišenes, atleiskite gaiduką.

Nuimkite akumulatoriaus kasetę nuo aukšto slėgio plovimo įrenginio ir prijunkite tinkamą antgalį.

4. Atidarykite dangtelį ir prie aukšto slėgio plovimo įrenginio prijunkite akumulatoriaus kasetę. Paskui užfiksuokite dangtelį.

► **Pav.25:** 1. Akumulatoriaus kasetė 2. Dangtis

**▲PERSPĖJIMAS:** Atidarydami arba uždarydami akumulatoriaus skyriaus dangtelį, būkite atsargūs, kad neprisispaustumėte pirštų.

5. Pasirinkite norimą slėgio režimą. Tada atrakinkite gaiduką.

► **Pav.26:** 1. Slėgio režimo jungiklio svirtelė  
2. Gaidukas 3. Užrakinimo mygtukas

6. Nukreipkite antgalio galvutę į laistymo plotą arba vietą. Suspauskite gaiduką.

Vandens srovė teka tol, kol spaudžiamas gaidukas.

► **Pav.27**

► **Pav.28**

**▲PERSPĖJIMAS:** Tvirtai laikykite aukšto slėgio plovimo įrenginį. Paspaudus gaiduką, įrankis atšoka.

**▲PERSPĖJIMAS:** Leisdami vandens srovę, visada laikykite aukšto slėgio plovimo įrenginį paėmę už rankenos ir cilindro.

## Po naudojimo

**▲PERSPĖJIMAS:** Pasinaudoję aukšto slėgio plovimo įrenginiu, visada atlikite šioje instrukcijoje nurodytus veiksmus. Liekamasis slėgis aukšto slėgio plovimo įrenginyje gali ką nors sužaloti arba sugadinti viduje esantį siurbli.

1. Atleiskite gaiduką ir užrakininkite jį užrakinimo mygtuku.

2. Atjunkite vandens žarną nuo vandentiekio.

► **Pav.29**

3. Atrakinkite gaiduką ir spauskite jį tol, kol bus išleistas aukšto slėgio plovimo įrenginyje ir žarnoje likęs vanduo.

► **Pav.30**

**PASTABA:** Variklio nelaikykite įjungto ilgiau nei 1 minutę.

4. Atleiskite gaiduką ir užrakininkite jį užrakinimo mygtuku. Tada nuimkite akumulatorių nuo aukšto slėgio plovimo įrenginio.

► **Pav.31:** 1. Užrakinimo mygtukas 2. Akumulatoriaus kasetė

5. Nuo aukšto slėgio plovimo įrenginio atjunkite slėginę žarną.

► **Pav.32:** 1. Jungiamoji mova 2. Vandens žarnos jungtis

**PASTABA:** Kad nepažeistumėte slėginės žarnos, prieš sandėliuodami pašalinkite žarnoje likusį vandenį.

## TECHNINĖ PRIEŽIŪRA

**▲PERSPĖJIMAS:** Visuomet įsitinkinkite, kad įrankis yra išjungtas ir akumulatoriaus kasetė yra nuimta, prieš atlikdami apžiūrą ir priežiūrą.

**PASTABA:** Niekada nenaudokite gazolino, benzino, tirpiklio, spirito arba panašių medžiagų. Gali atsirasti išblukimų, deformacijų arba įtrūkimų.

Kad gaminys būtų SAUGUS ir PATIKIMAS, jį taisyti, apžiūrėti ar vykdyti bet kokią kitą priežiūrą ar derinimą turi įgaliotasis kompanijos „Makita“ techninės priežiūros centras; reikia naudoti tik kompanijos „Makita“ pagamintas atsargines dalis.

## Antgalių valymas

Valymo kaiščiu (mažyčių didės tipo piršteliu) pašalinkite nešvarumų kamščius iš antgalio angų.

► **Pav.33:** 1. Valymo kaištis 2. Antgalis

**PASTABA:** Optimaliam našumui palaikyti reguliariai valykite antgalį.

**PASTABA:** Nešalinkite nešvarumų ar nuosėdų per jėgą. Taip galite susižaloti arba sugadinti išmetimo angą, dėl ko išmetimo kampai bus su nuokrypiais arba aparatas prastai veiks.

## Valymo filtrai

Atjunkite vandens žarnos jungtį nuo aukšto slėgio plovimo įrenginio. Pašalinkite prie filtro prikibusias dulkes (nešvarumus).

► **Pav.34:** 1. Vandens žarnos jungtis 2. Filtras 3. Sandarinamasis žiedas

Išardykite koštuvą, atsukdami nuo filtro korpuso.

Pašalinkite prie filtro prikibusias dulkes (nešvarumus).

► **Pav.35:** 1. Filtras 2. Filto dėklas

**PASTABA:** Reguliariai valykite filtrą, kad išlaikytumėte optimalų aparato veikimą.

# GEDIMŲ ŠALINIMAS

Prieš kreipdamiesi dėl remonto darbų, pirmiausia patikrinkite gedimus patys. Kilus problemų, apie kurias nepaaiškinta vartotojo vadove, nemėginkite ardyti įrankio. Kreipkitės į įgaliotuosius „Makita“ techninės priežiūros centrus, kuriuose remontui visuomet naudojamos originalios „Makita“ keičiamosios dalys.

| Neįprasta būklė  | Tikėtina priežastis (triktis)                   | Ištaisomoji priemonė   |
|--|---|--|
| Plovimo aparatas nepasileidžia.                          | Nėra elektros                                   | Įdėkite įkrautą akumuliatoriaus kasetę.  |
|  | Gaidukas užrakintas.                            | Atrakinkite gaiduką.   |
|  | Pažeistas akumuliatorius arba elektros grandinė | Dėl remonto kreipkitės į įgaliotąjį priežiūros centrą.   |
| Nėra vandens čiurkšlės ir (arba) silpna vandens čiurkšlė | Netiekiamas vanduo                              | Užtikrinkite, kad būtų atsuktas čiaupas. Jei jungiate prie vandens talpyklos, įleiskite vandens į aukšto slėgio plovimo įrenginį ir žarną. |
|  | Prastai tiekiamas vanduo                        | Atsukite čiaupą.   |
|  | Prastai prijungta vandens žarna                 | Patikrinkite jungtį tarp aukšto slėgio plovimo įrenginio ir vandentiekio.  |
|  | Deformuota arba susidėvėjusi vandens žarna      | Ištiesinkite žarną. Pažeistą vandens žarną pakeiskite nauja.   |
|  | Užsikimšusi žarna arba antgalis                 | Atkimškite žarną arba antgalį.   |
|  | Užsikimšę filtrai                               | Pašalinkite dulkes arba nešvarumus, prikibusius prie koštuvų ir vandens žarnos jungtyje esančių filtrų.                                    |
|  | Užterštas vanduo (nuotekos)                     | Išvalykite vandens sistemą ir pripilkite švaraus vandens.  |
|  | Sugadintas ar susidėvėjęs antgalis              | Pakeiskite antgalį.  |
|  | Siurblio arba vožtuvo triktis                   | Dėl remonto kreipkitės į įgaliotąjį priežiūros centrą.   |
|  | Laisva vandens jungtis                          | Užfiksukite vandens žarnos ir jungiamosios movos jungtį.   |
|  | Nuotėkis iš vandentiekio jungties               | Priveržkite vandens žarnos ir vandentiekio jungtį.   |
|  | Nepakankamai įrengtas koštuvai                  | Visiškai panardinkite koštuvą į vandenį.   |
| Nepastovi vandens čiurkšlė                               | Naudojamas žemo slėgio režimas                  | Pasirinkite aukšto slėgio režimą.  |
|  | Užsikimšęs antgalis                             | Atkimškite antgalio išmetimo angą, naudodami valymo kaitį.   |
|  | Prastai siurbiamas vanduo                       | Patikrinkite vandens žarną, ar nėra nuotėkių arba kamščių.   |
|  | Per karštas vanduo.                             | Tiekite vėsesnį vandenį.   |
| Neįprastas garsas  | Vožtuvo triktis                                 | Dėl remonto kreipkitės į įgaliotąjį priežiūros centrą.   |
|  | Per karštas vanduo.                             | Tiekite vėsesnį vandenį.   |
| Vandens nuotėkis   | Prasta jungtis                                  | Patikrinkite jungtį tarp aukšto slėgio plovimo įrenginio ir vandentiekio.  |
|  | Prastai įrengtas antgalis                       | Istumkite antgalį iki galo. Tada pasukite antgalį, kad jis būtų patikimai užfiksuotas.   |
|  | Antgalio galvutė lieka netinkamoje padėtyje     | Nustatykite antgalio galvutės padėtį taip, kad ji spragtelėtų ir būtų aiškiai matomas purškimo schemas simbolis.                           |
|  | Susidėvėję sandarikliai                         | Dėl remonto kreipkitės į įgaliotąjį priežiūros centrą.   |

## PASIRENKAMI PRIEDAI

**▲ PERSPĖJIMAS:** Šiuos papildomus priedus arba įtaisus rekomenduojama naudoti su šioje instrukcijoje nurodytu „Makita“ bendrovės įrankiu. Naudojant bet kokius kitus papildomus priedus arba įtaisus, gali kilti pavojus sužeisti žmones. Naudokite tik nurodytam tikslui skirtus papildomus priedus arba įtaisus.

Jeigu norite daugiau sužinoti apie tuos priedus, kreipkitės į artimiausią „Makita“ techninės priežiūros centrą.

**PASTABA:** Kai kurie sąraše esantys priedai gali būti pateikti įrankio pakuotėje kaip standartiniai priedai. Jie įvairiose šalyse gali skirtis.

### Putų antgalis

► Pav.36

Ploviklis gali būti purškiamas kaip putas.

## **Plovimo šepetys**

### **► Pav.37**

Antgalis turi šepetį. Naudinga plaunant nešvarumus pavalyti šepėčiu.

## **Kampinis antgalis**

### **► Pav.38**

Kampinio antgalio galvutę galima pasukti 360 laipsnių kampu. Tai suteikia manevringumo ir galimybę padengti plotą be jokių nelaiptomų kampų.

## **Plastikinio butelio adapteris**

### **► Pav.39**

Naudokite j butelius supilstytą vandenį ir lengvai ištraukite jį iš plastikinio butelio. Kaip vandens šaltinis gali būti naudojamas vandens butelis.

## HOIATUS

- Lapsed ei tohi seadet kasutada. Lapsi tuleb jälgida, et nad seadmega ei mängiks.
- Seda seadet ei tohi kasutada isikud (sh lapsed), kelle füüsilised, sensoorsed või vaimsed võimed on piiratud või kellel puuduvad piisavad kogemused või teadmised seadme kasutamise kohta, v.a juhul, kui nende ohutuse eest vastutav isik neid juhendab või jälgib.
- Survevett ei tohi suunata inimestele, pingestatud elektriseadmetele ega seadmele endale.
- Kandke alati hoolt selle eest, et seade oleks enne selle kallal tööde tegemist välja lülitatud ning akukasset eemaldatud.
- Ärge kasutage seadet, kui selle olulised osad on kahjustunud, nt kaitseseadmed, survevoolikud.
- Kasutaja tehtava hoolduse ajal järgitavate ettevaatusabinõude kohta leiate üksikasjalikku teavet hoolduse jaotisest.
- Selgitage välja aku laadimiseks sobiv temperatuurivahemik. Lugege akukasseti ohutusjuhistest, milliseid ettevaatusabinõusid akude käitlemisel järgida.
- Seadme paigaldamise ajal järgitavate ettevaatusabinõude kohta leiate asjakohast teavet kokkupaneku jaotisest.
- Selgitage välja sisselaskevee maksimaalne surve. Veevõrguga ühendamise kohta leiate asjakohast teavet tehniliste andmete jaotisest.
- Kasutage alati vaid seadmega kaasas olevat voolikukomplekti. Lugege kokkupaneku jaotisest ettevaatusabinõusid veevõrguga ühendamisel.
- Veega täitmise ava ei tohi kasutamise ajal avada. Veearve säilitamiseks järgige kokkupaneku jaotises olevaid juhiseid.
- Ärge kasutage basseinides, kus on vett.
- Vastake kohaliku veevarustuse ettevõtte nõuetele.
- Euroopa riikide jaoks:  
EN12729 (BA) kohaselt saab seadet ühendada peamise joogi-veevarude võrguga, kui toitetoru külge on paigaldatud tagasi-voolu takistav ventiil koos äravoolusüsteemiga.

# TEHNILISED ANDMED

|  |   |                         |
|--|---|-------------------------|
| <b>Mudel:</b>  |   | <b>DHW180</b>           |
| Max voolukiirus <sup>11</sup><br>[Veevarustus mahutist / veevarustus veevõrgust] |   | 3,0/5,3 l/min           |
| Vee voolukiirus <sup>12</sup>  | Kõrgrežiim  | 2,5 l/min               |
|  | Madalrežiim   | 1,5 l/min               |
| Max töösurve   |   | 2,4 MPa                 |
| Töösurve <sup>12</sup>   | Kõrgrežiim<br>[Veevarustus mahutist /<br>veevarustus veevõrgust]  | 2,0/2,2 MPa             |
|  | Madalrežiim<br>[Veevarustus mahutist /<br>veevarustus veevõrgust] | 0,8/0,8 MPa             |
| Max toitesurve   |   | 0,5 MPa                 |
| Max toite temperatuur  |   | 40°C                    |
| Max imemiskõrgus   |   | 2,0 m                   |
| Nimipinge  |   | Alalisvool 18 V         |
| Mõõtmed <sup>13</sup><br>[P × L × K]   |   | 888 mm × 99 mm × 239 mm |
| Kaal   |   | 2,3–2,7kg               |

\*1: Ilma otsakuta

\*2: Pihustumuster 15°

\*3: 5in1 otsaku ja pikendusega

- Meie pideva uuringu- ja arendusprogrammi tõttu võidakse tehnilisi andmeid muuta ilma sellest ette teatamata.
- Tehnilised andmed võivad riigiti erineda.
- Kaal võib erineda olenevalt lisaseadistest, kaasa arvatud akukassetist. Kergeim ja raskeim kombinatsioon EPTA-protseduuri 01/2014 kohaselt on toodud tabelis.

## Sobiv akukassett ja laadija

|            |   |
|------------|---|
| Akukassett | BL1815N / BL1820B / BL1830B / BL1840B / BL1850B / BL1860B             |
| Laadija    | DC18RC / DC18RD / DC18RE / DC18SD / DC18SE / DC18SF / DC18SH / DC18WC |

- Mõned eespool loetletud akukassetid ja -laadijad ei pruugi olla teie riigis saadaval.

**⚠ HOIATUS:** Kasutage ainult ülalpool loetletud akukassette ja laadijaid. Muude akukassettide ja laadijate kasutamine võib tekitada vigastusi ja/või tulekahju.

**⚠ HOIATUS:** Ärge kasutage selle masinaga juhtmega vooluvarustust nagu akuadapter või portatiivne akukomplekt. Sellise vooluvarustuse juhe võib tööd takistada ja põhjustada kehavigastusi.

## Sümbolid

Alljärgnevalt kirjeldatakse tingimärke, mida võidakse seadmetel kasutada. Enne seadme kasutamist tehke endale selgeks nende tähendus.



Lugege juhendit.



Olge äärmiselt ettevaatlik ja tähelepanelik.



Ainult EL-i riikide puhul  
Seadmes sisalduvate ohtlike osade tõttu võivad elektri- ja elektroonikaseadmete jäätmed, akud ja patareid avaldada negatiivset mõju keskkonnale ja inimeste tervisele.  
Elektri- ja elektroonikaseadmeid ega akusid ei tohi kõrvaldada koos olmejäätmetega!  
Euroopa elektri- ja elektroonikaseadmete jäätmete, akude ja patareide ning nende jäätmete direktiivi ja riiklikku õigusesse ülevõtmise kohaselt tuleb elektri- ja elektroonikaseadmete, akude ja patareide jäätmed koguda eraldi ning viia eraldiseisvasse olmejäätmete kogumispunkti, mis tegutseb kooskõlas keskkonnakaitse eeskirjadega. Sellele osutab seadmele paigaldatud läbikriipsutatud rätastega prügikasti sümbol.



Ärge ühendage joogiveekraaniga.



Ärge suunake pihustit inimeste, sh ise-enda, loomade ja sisselülitatud elektriseadmete poole.

## Kavandatud kasutus

See tööriist on ette nähtud veejoo abil mustuse eemaldamiseks kodumajapidamises. Tänu valitavale pihustitüübile parandab tööriist nii pesutulemust kui ka muru ja aia kastmist.

## OHUTUSHOIATUSED

### TÄHTSAD OHUTUSHOIATUSED

**⚠ HOIATUS:** Lugege läbi kõik ohutushoiatused ja juhtnõõrid. Hoiatuste ja juhtnõõride mittejärgmine võib põhjustada elektrišokki, tulekahju ja/või tõsiseid vigastusi.

## Hoidke edaspidisteks viideteks alles kõik hoiatused ja juhtnõõrid.

**HOIATUS** – Selle toote kasutamisel tuleb alati järgida elementaarseid ettevaatusabinõusid, sealhulgas järgmisi:

### Tööpiirkonna ohutus

1. Hoidke inimesed tööpiirkonnast eemal.
2. Ärge kummarduge üle ebastabiilsete tugede ega seiske nende peal. Hoidke jalad kogu aeg kindlalt maas ja hoidke tasakaalu.
3. Asetage kõrgsurvepesuri korpus alati tasasele ja stabiilsele pinnale. Vältige piirkondi, kus väljuv vesi hakkab voolama või kogunema.
4. Enne puhastamist kontrollige ümbrust ja puhastatavaid esemeid. Survejoad võivad eemaldada värvi ja muid pinnakatteid, sealhulgas mürgiseid kemikaale. Vajaduse korral võtke ennetavad meetmed.
5. Olge ettevaatlik, et mitte kõrgsurvepesuri vooliku otsa komistada. Olge töötamise ajal alati teadlik vooliku seadistusest.
6. Kasutamise ajal väljub kõrgsurvepesuri põhjast väike kogus vett. Ärge kasutage tööriista piirkondade kohal, mida te ei soovi märjaks teha.

### Isiklik ohutus

1. Pihustit ja pihusti kõrval olevate esemete vastu kaitsmiseks peaksid operaatorid kandma sobivaid rõivaid, näiteks turvasaapaid, turvakindaid, näovarjuga kiivrit, kõrvakaitset jne.
2. **Kandke isikukaitsevahendeid.** Kasutage sõltuvalt kasutusest näokaitset, kaitseprille või silmade kaitset, sest see peatab eri toimingute käigus lenduva prügi.

3. **Ärge kasutage kõrgsurvepesurit inimeste läheduses, välja arvatud juhul, kui nad kannavad kaitseriietust.**
4. **Vigastuste ohu vähendamiseks on toote kasutamisel laste läheduses vajalik hoolikaks järelevalve.**
5. **Joogiveesüsteemiga ühendamisel tuleb süsteemi kaitsa tagasivoolu eest.**
6. **Vesi, mis on voolanud läbi tagasivoolukaitse, ei ole joogikõlblik.**

### Elektrihoiutus

1. **Ärge kunagi katsuge akukassetti märgade kätega.**
2. **Ärge kasutage seadet, kui selle olulised osad on kahjustunud, nt kaitseesemed, survevoolikud.**
3. **Vältige ohtlikke piirkondi.** Ärge kasutage seadet niisketes või märgades kohtades ega jätke seda vihma kätte. Seadmesse sisse sattunud vesi suurendab elektrilöögiohtu.

### Elektritööriista kasutamine ja hooldus

1. Enne toote kasutamist lugege kõiki juhiseid.
2. Selgitage välja, kuidas kõrgsurvepesurit ja survejuga kiiresti seisata. Tutvuge põhjalikult juhtelementidega.
3. **Ärge pihustage tuleohtlikke või mürgiseid vedelikke.** See võib põhjustada plahvatuse, mürgistuse või seadme kahjustuse.
4. **Ärge suunake pihustit riiete või jalatsite puhastamiseks enda või teiste poole.**
5. **Survevoolikud, tarvikud ja liitmikud on seadme ohutuse jaoks olulised.** Kasutage ainult tootja soovitatud voolikuid, tarvikuid ja liitmikke.
6. **Järgige tarvikute vahetamise juhtnõõre.**
7. **Hoidke käed kuivad, puhtad ning õli- ja rasvavabad.**
8. **Olge tähelepanelik – jälgige, mida teete.**
9. **Ärge kasutage toodet, kui tunnete end uimaseks või olete alkoholi või narkootikumide mõju all.**
10. **Ärge laske kõrgsurvepesuril töötada ilma veeta kauem kui üks minut.** See kahjustab mootorit ja põhjustab tõrkeid.
11. **Kui jätate kõrgsurvepesuri järelevalveta, lülitage alati toide ja veevarustus välja.**
12. **Arvestage tagasilöögi võimalusega.** Seade põrkab tagasi, kui survejuga otsakust välja tuleb. Juhuslike vigastuste vältimiseks hoidke seadet tegevalt.
13. **Kontrollige enne kasutamist kahjustunud või kulunud osade puudumist.** Samuti veenduge, et voolik oleks korralikult ühendatud ja et kasutamise ajal ei oleks lekkeid. Talitluslike puudustega seadme kasutamine võib põhjustada õnnetuse.
14. **Ärge tõmmake kõrgsurvepesuri korpuse liigutamiseks voolikut.** See võib kahjustada voolikut ja selle ühendusosi ning tekitada lühise või funktsionaalseid defekte.
15. **Ärge pange voolikule raskeid esemeid ega laske sõidukitel sellest üle sõita.**
16. **Enne vooliku lahutamist laske alati välja seadmes olev jääkrõhk.**



17. Ühendades voolikut veetoruga, järgige kohaliku veetööde osakonna või ettevõtte juhiseid.
18. Kui kõrgsurvepesur kukub maha või pörkab vastu kõva eset, kontrollige, ega selle pole kahjustusi või mõrasid. Kahjustada saanud kõrgsurvepesuri kasutamine võib tekitada suitsu, tulekahju või põhjustada elektrilöögi ja seeläbi kehavigastusi.
19. Vältige tahtmatut käivitamist. Veenduge, et lüliti on enne akukomplekti ühendamist, seadme töstmist või kandmist väljalülitatud asendis. Seadme kandmine, hoides näppu lülilil, või seadme vooluvõrku ühendamine, kui lüliti on sisselülitatud asendis, võib kaasa tuua õnnetusi.
20. Enne seadme kohandamist, lisatarvikute vahetamist või hoiundamist ühendage akukomplekt seadme küljest lahti. Sellised ennetusabinõud vähendavad seadme juhusliku käivitamise ohtu.
21. Ärge muutke või üritage parandada seadet või akukomplekti muul viisil kui kasutus- ja hooldusjuhendis osutatud.
22. HOIATUS – Injektsiooni või vigastuse oht – Ärge sihtige voolu otse inimeste suunas.
23. Veenduge, et puhastatav ese või ala taluks vett. Muidu võib see kahjustada eset või ala, mis omakorda võib tekitada kehavigastusi.

#### Akuga tööriista kasutamine ja hooldus

1. Laadige alati laadijaga, mille tootja on heaks kiitnud. Laadija, mis sobib kasutamiseks ühte tüüpi akuga, võib kaasa tuua tulekahjuohtu, kui seda kasutada koos mõnda teist tüüpi akuga.
2. Kasutage elektritööriista üksnes spetsiaalselt neile toodetud akudega. Mis tahes muude akude kasutamine võib tekitada tervisekahjustusi või tulekahjuohtu.
3. Kui akut ei kasutata, ärge hoidke seda koos muude metalliesemetega, nagu kirjaklambrid, mündid, võtmed, naelad, kruvid jm väikesed metalliesemed, mis võivad tekitada ühenduse klemmide vahel. Akuklemmide lühis võib põhjustada põletusi ja tulekahjuohtu.
4. Väärkasutamise tagajärjel võib akust valguda välja vedelikku; ärge seda puudutage. Kui olete selle vedelikuga siiski kogemata kokku puutunud, uhtke kohta veega. Kui vedelik on sattunud silma, minge arsti juurde. Akust väljavalgunud vedelik võib põhjustada ärritust ja põletusi.
5. Ärge kasutage akupaketti ega tööriista, mis on kahjustatud või muudetud. Kahjustatud või muudetud akud võivad käituda ettearvamatu, põhjustades süttimis-, plahvatus- või vigastusohu.
6. Kaitske akupaketti ja tööriista tule ja kõrge temperatuuri eest. Tule või kõrgema kui 130 °C temperatuuriga kokkupuutumine võib tuua kaasa plahvatusese.
7. Pidage kinni kõigist laadimisjuhistest ja ärge laadige akupaketti ega tööriista väljaspool juhendis märgitud temperatuurivahemikku. Valesti või väljaspool märgitud temperatuurivahemikku laadimine võib kahjustada akupaketti ja suurendada süttimisohtu.

#### Hooldus

1. Järgige juhendis toodud hooldusjuhiseid.
2. Seadme ohtuse tagamiseks kasutage ainult tootja originaalvaruosi või tootja poolt heaks kiidetud varuosi.
3. Laske kõrgsurvepesurit hooldada kvalifitseeritud remonditehnikul, kes kasutab vaid identseid varuosi. Nii on tagatud kõrgsurvepesuri ohtus.
4. Kõrgsurvepesuri talitlushäire või rikke korral lülitage see viivitamatult välja ja eemaldage akukassett/-kassetid. Pöörduge kohaliku edasimüüja või teeninduskeskuse poole.

#### Lisaohutusnõuded

1. Ärge kasutage tööriista äikeseohtu korral.
2. Tööriista kasutamisel porisel ja libedal maapinnal või märjal kallakul, pöörake tähelepanu kindlale jalgealusele.
3. Vältige töötamist halvas keskkonnas, kus kasutaja suurem väsimine on võimalik.
4. Ärge vahetage akut vihma käes.
5. Ärge ajage tööriista sügavale auku.
6. Tööriista hoiundamisel vältige otsest päikesevalgust ja vihma ning hoiukoht ei tohiks muudat liiga kuumaks ega niiskeks.
7. Pärast tööriista kasutamist eemaldage kinnitunud mustus ja kuivatage tööriist enne hoiundamist täielikult. Aastaajast või piirkonnast olenevalt võib külmumine tõrkeid põhjustada.
8. Ärge tehke aku kontakte vee vm vedelikuga märjaks ega pange akut vee alla. Ärge jätke akut vihma kätte, samuti ärge laadige, kasutage ega hoiundage akut niiskes või märjas kohas. Kui aku kontakt saab märjaks või vedelik tungib aku sisse, võib aku lühistuda ning tekkida ülekuumenemise, süttimise või plahvatusese oht.
9. Pärast tööriistast või laadijast aku eemaldamist kinnitage akukate kindlasti akule ja hoidke akut kuivas kohas.
10. Ärge vahetage akut märgade kätega.
11. Kui seade on külma ilma tõttu külmunud, pöörduge remontimiseks volitatud teeninduskeskuse poole.
12. Ärge kasutage selle seadmega juhtmega toiteallikat, nagu näiteks akuadapterit või portatiivset akukomplekti. Taolise toiteallika juhe võib tööd takistada ja põhjustada kehavigastusi.

## HOIDKE JUHEND ALLES.

**▲HOIATUS:** ÄRGE UNUSTAGE järgida toote ohutusnõudeid mugavuse või toote (korduskasutamise saavutatud) hea tundmise tõttu.

**VALE KASUTUS** või kasutusjuhendi ohutuseeskirjade eiramine võib põhjustada tervisekahjustusi.

### Akukassetiga seotud olulised ohutusjuhised

1. Enne akukasseti kasutamist lugege (1) akulaadial, (2) akul ja (3) seadmel olevad juhtnõidrid ja hoiatused läbi.
2. Ärge võtke akukassetti lahti ega muutke seda. See võib põhjustada tulekahju, liigset kuumust või plahvatusese.

3. Kui tööaeg järsult lüheneb, siis lõpetage kohe kasutamine. Edasise kasutamise tulemuseks võib olla ülekuumenemine, võimalikud põletused või isegi plahvatus.
4. Kui elektrolüüti satub silma, siis loputage silma puhta veega ja pöörduge koheselt arsti poole. Selline õnnetus võib põhjustada pimedaksjäämist.
5. Ärge tekitage akukassetis lühist:
  - (1) Ärge puutuge klemme elektrijuhtidega.
  - (2) Ärge hoidke akukasseti tööriistakastis koos metallesemetega, nagu naelad, mündid jne.
  - (3) Ärge tehke akukasseti märjaks ega jätke seda vihma kätte.

Aku lühis võib põhjustada tugevat elektri-voolu, ülekuumenemist, põletusi ning ka sead-  
det tõsiselt kahjustada.

6. Ärge hoidke ega kasutage tööriista ja akukas-  
setti kohtades, kus temperatuur võib tõusta  
üle 50 °C (122 °F).
7. Ärge põletage akukasseti isegi siis, kui see on  
saanud tõsiselt vigastada või on täiesti kulu-  
nud. Akukassetit võib tules plahvatada.
8. Ärge naelutage, löigake, muljuge, visake aku-  
kasseti ega laske sel kukkuda, samuti ärge  
lööge selle pihta kõva esemega. Selline tegevus  
võib põhjustada tulekahju, liigset kuumust või  
plahvatuse.
9. Ärge kasutage kahjustatud akut.
10. Sisalduvatele liitium-ioonakudele võivad  
kohalduda ohtlike kaupade õigusaktide nõu-  
ded.

Kaubanduslikul transportimisel, näiteks kolman-  
date poolte või transpordiettevõtete poolt, tuleb  
järgida pakendil ja siltidel toodud erinõudeid.

Transportimiseks ettevalmistamisel on vajalik  
pidada nõu ohtliku materjali eksperdigaga. Samuti  
tuleb järgida võimalike riiklike regulatsioonide  
üksikasjalikumaid nõudeid.

Katke teibiga või varjake avatud kontaktid ja  
pakendage aku selliselt, et see ei saaks pakendis  
liikuda.

11. Kasutuskõlbmatuks muutunud akukasseti  
kõrvaldamiseks eemaldage see tööriistast ja  
viige selleks ette nähtud kohta. Järgige kasu-  
tuskõlbmatuks muutunud aku kõrvaldamisel  
kohalikke eeskirju.
12. Kasutage akusid ainult Makita heaks kiidetud  
toodetega. Akude paigaldamine selleks mitte  
ettenähtud toodetele võib põhjustada süttimist,  
ülemäärast kuumust, plahvatamist või elektrolüüdi  
lekkimist.
13. Kui tööriista ei kasutata pika ajaperioodi jook-  
sul, tuleb aku tööriistast eemaldada.
14. Kasutamise ajal ja pärast kasutamist võib  
akukassetit kuumeneda, mis võib põhjustada  
põletusi või madala temperatuuri põletusi.  
Olge kuumade akukasseti kandmisel ettevaatlik.
15. Ärge puudutage tööriista klemmi kohe pärast  
kasutamist, sest see võib olla kuum ja põhjus-  
tada põletusi.
16. Hoidke akukasseti klemmid, avad ja sooned  
tükikestest, tolmust ja mullast puhtad. See

võib põhjustada tööriista või aku ülekuumenemist,  
süttimist, purunemist ja talitlushäireid, mis võib  
lõppeda põletuste või kehavigastustega.

17. Kui tööriist ei kannata kasutamist kõrgepingeliinide lähedal, ärge kasutage akukasseti kõrgepingeliinide lähedal. Muidu võib tööriist või akukassetit puruneda või sellel tõrge tekkida.
18. Hoidke aku lastele kättesaamatult.

## HOIDKE JUHEND ALLES.

**⚠ETTEVAATUST:** Kasutage ainult Makita originaalakusid. Mitte Makita originaalakude või muudetud akude kasutamine võib põhjustada akude süttimise, kehavigastuse ja kahjustuse. Samuti muudab see kehtetuks Makita tööriista ja laadija Makita garantii.

## Vihjeid aku maksimaalse kasu- tusaja tagamise kohta

1. Laadige akukasseti enne selle täielikku tühjenemist. Kui märkate, et tööriist töötab väiksema võimsusega, peatage töö ja laadige akukasseti.
2. Ärge laadige täielikult laetud akukasseti. Ülelaadimine lühendab akude kasutusiga.
3. Laadige akukasseti toatemperatuuril 10 °C - 40 °C. Enne laadimist laske kuumenenud akukassetil maha jahtuda.
4. Kui te ei kasuta parajasti akukasseti, eemaldage see tööriistast või laadurist.
5. Kui te ei kasuta akukasseti kauem kui kuus kuud, laadige see.

## FUNKTSIONAALNE KIRJELDUS

**⚠ETTEVAATUST:** Kandke alati hoolt selle eest, et tööriist oleks enne reguleerimist ja kontrollimist välja lülitatud ja akukassetit eemaldatud.

## Akukasseti paigaldamine või eemaldamine

**⚠ETTEVAATUST:** Lülitage tööriist alati enne akukasseti paigaldamist või eemaldamist välja.

**⚠ETTEVAATUST:** Akukasseti paigaldamisel või eemaldamisel tuleb tööriista ja akukasseti kindlalt paigal hoida. Kui tööriista ja akukasseti ei hoita kindlalt paigal, võivad need käest libiseda ning kahjustada tööriista ja akukasseti või põhjustada kehavigastusi.

**⚠ETTEVAATUST:** Olge akukatte avamisel ja sulgemisel ettevaatlik, et sõrmed vahele ei jääks.

Avage kate, vajutades lukustushooba.

► Joon.1: 1. Kaas 2. Lukustushoob

Joondage akukasetti olav keel korpuses oleva soonega ja libistage kasset oma kohale. Sisestage kasset lõpuni, kuni see väikese klõpsatusega kohale lukustub. Kui näete joonisel kujutatud punast näidikut, pole kasset täielikult lukustunud.

► **Joon.2:** 1. Punane näidik 2. Nupp 3. Akukasetti

Pärast akukasetti paigaldamist ja eemaldamist veenduge, et oleksite kaane sulgenud.

Akukasetti eemaldamiseks avage kate, libistage akukasetti tööriistalt maha, vajutades samal ajal ees olevat nuppu alla, ning sulgege seejärel kate.

**⚠ETTEVAATUST:** Paigaldage akukasetti alati täies ulatuses nii, et punast osa ei jääks näha. Muidu võib adapter juhuslikult tööriistast välja kukkuda ning põhjustada teile või läheduses viibivatele isikutele vigastusi.

**⚠ETTEVAATUST:** Ärge rakendage akukasetti paigaldamisel jõudu. Kui kasset ei lähe kergesti sisse, pole see õigesti paigaldatud.

**⚠ETTEVAATUST:** Veenduge, et oleksite kaane enne tööle hakkamist lukustanud.

## Tööriista/aku kaitsesüsteem

Tööriistal on tööriista/aku kaitsesüsteem. Süsteem lülitab mootori automaatselt välja, et pikendada tööriista ja aku tööiga. Tööriist seiskub automaatselt, kui tööriista või aku kohta kehtib üks järgmistest tingimustest.

► **Joon.3:** 1. Näidik

## Ülekoormuskaitse

Kui tööriista või aku kasutamise käigus hakkab see tarbima ebaharilikult palju voolu, seiskub tööriist automaatselt ja punane näidik süttib. Sellisel juhul lülitage tööriist välja ja lõpetage tööriista ülekoormuse põhjustanud kasutus. Pärast seda käivitage tööriist uuesti.

## Ülekuumenemiskaitse

Kui tööriist või aku on ülekuumenenud, seiskub tööriist automaatselt ja punane näidik süttib. Sellisel juhul laske tööriistal maha jahtuda, enne kui selle uuesti sisse lülitate.

## Ülelaadimiskaitse

Kui aku jääkmahtuvus on väike, hakkab punane näidik vilkuma. Kui aku on peaaegu tühi, seiskub tööriist automaatselt ja punane näidik süttib. Sellisel juhul eemaldage aku tööriistast ja laadige akut.

## Kaitse muude põhjuste korral

Kaitsesüsteem on mõeldud ka muude põhjuste jaoks, mis võivad tööriista kahjustada, ja võimaldab tööriistal automaatselt seiskuda. Kui tööriist on ajutiselt peatatud või seiskunud, toimige põhjuste kõrvaldamiseks järgnevalt.

1. Lülitage tööriist välja ja seejärel taaskäivitamiseks uuesti sisse.
2. Laadige akut (akusid) või asendage aku (akud).
3. Laske tööriistal ja akul (akudel) jahtuda.

Kui kaitsesüsteemi taastamisega ei õnnestu olukorda parandada, võtke ühendust kohaliku Makita hoolduskeskusega.

**TÄHELEPANU:** Kui tööriist on seiskunud põhjusel, mida eespool pole kirjeldatud, lugege tõrkeotsingu jaotist.

## Aku jääkmahtuvuse näit

### Ainult näidikuga akukasettidele

Akukasetti järelejäänud mahtuvuse kontrollimiseks vajutage kontrollimise nuppu. Märgulambid süttivad mõneks sekundiks.

► **Joon.4:** 1. Märgulambid 2. Kontrollimise nupp

| Märgulambid |         |        | Jääkmahtuvus          |
|-------------|---------|--------|-----------------------|
| Pöleb       | Ei põle | Vilgub |                       |
| ■ ■ ■ ■     |         |        | 75 - 100%             |
| ■ ■ ■ □     |         |        | 50 - 75%              |
| ■ ■ □ □     |         |        | 25 - 50%              |
| ■ □ □ □     |         |        | 0 - 25%               |
| ▣ □ □ □     |         |        | Laadige akut.         |
| ■ ■ □ □     |         |        | Akul võib olla tõrge. |
| □ □ ■ ■     |         |        |                       |

**MÄRKUS:** Näidatud mahtuvus võib veidi erineda tegelikust mahtuvusest olenevalt kasutustingimustest ja ümbritseva keskkonna temperatuurist.

**MÄRKUS:** Esimene (taga vasakul asuv) märgutuli vilgub, kui akukaitsesüsteem töötab.

## Surverežiimi lüliti

Valige soovivat surverežiimi, libistades hooblülitit edasi-tagasi.

Madalsurvežiimi kasutamiseks tõmmake hooba tagasi, kuni lülilite ilmub numbrisümbol „1“.

Kõrge surve režiimi kasutamiseks tõmmake hooba edasi, kuni lülilite ilmub numbrisümbol „2“.

► **Joon.5:** 1. Madala surve režiim (1) 2. Kõrge surve režiim (2) 3. Surverežiimi hooblülit

## Lüliti päästik

Kõrgsurvepesur rakendab päästikut turvaluku. Päästikuluuku vabastamiseks vajutage päästikut olev lukustusnupp alla, nii et päästiku pind oleks sile.

Veejoo väljastamiseks tõmmake lüliti päästikut. Juga väljub seni, kuni päästikut vajutatakse.

► **Joon.6:** 1. Lüliti päästik 2. Lukustusnupp

Päästikuluuku rakendamiseks vajutage lukustusnupp päästiku seest tagasi välja.

Lukustage päästik, kui kõrgsurvepesurit ei kasutata.

► **Joon.7:** 1. Lüliti päästik 2. Lukustusnupp

## Otsaku funktsioonid

Mitme mustriga (5in1) pihustusotsakul on mitu pihustusmustrit, mida saab sõltuvalt oma pesemisvajadustest reguleerida. Viie enam kasutatud pihustusmustrit ühendamiselt ühte otsakusse ei ole vaja neid järjest lülitada, vaid tuleb lihtsalt valida oma ülesande jaoks õige pihustusmuster.

**Otsakute lihtne vahetamine: 0°, 15°, 25°, 40° ja dušš**  
▶ **Joon.8**

▶ **Joon.9:** 1. Pihustusmustrit sümbol  
2. Kolmnurgasümbol

Soovitud pihustusmustrit seadistamiseks keerake otsakupea vasakule või paremale. Viige kolmnurgasümbol soovitud pihustusmustrit sümboliga kohakuti, nii et otsakupea lukustub klõpsatusega.

▶ **Joon.10**

**TÄHELEPANU:** Ärge seadke otsaku pead, kui see pole kohale klõpsanud. Muudu võib tööriist tekitada ebakorrapäraseid pihustusmustrit, mis toovad kaasa veelekkeid.

**⚠ETTEVAATUST:** Proovige pihustusmustrit muutmisel otsaku korpusel mitte kaasa keerata. Otsak võib tööriista korpuselt lahti tulla ja kehavigastusi põhjustada.

## Ohutuskapp

Tööriistal on kaitsekapp, mis takistab asjatut ülesurvet.

**⚠ETTEVAATUST:** Ärge muutke ega kohandage ohutusventiili seadeid.

## KOKKUPANEK

**⚠ETTEVAATUST:** Kandke alati hoolt selle eest, et tööriist oleks enne igasuguseid hooldustöid välja lülitatud ja akukassett eemaldatud.

## Otsaku ja torupikenduse paigaldamine

**⚠ETTEVAATUST:** Otsaku ja pikenduse paigaldamisel/eemaldamisel lukustage alati lüliti päästik.

### Otsak

Joondage otsaku otsas olevad juhteendid tööriistakorpusel olevate lukustuspiiludega. Lükake otsak täiesti lõpuni, kuni kaks kolmnurgasümbolit otsakul ja korpusel on vastakuti. Seejärel keerake otsakut lukustamiseks joonisel kujutatud suunas.

Kui olete otsaku paigaldanud, proovige seda tagasi tõmmata, et kontrollida selle kindlat asendit.

▶ **Joon.11:** 1. Otsak 2. Juhteend 3. Lukustuspiil 4. Kolmnurgasümbolid 5. Uimekujuline serv

**MÄRKUS:** Keerake uimekujuline serv allapoole.

Otsaku lahutamiseks vajutage ja hoidke otsakut tööriistakorpusel suunas ning keerake seda seejärel vastupäeva, kuni kaks kolmnurgasümbolit on kohakuti. Tõmmake lukust avatud otsak tööriistakorpuselt ära.

### Torupikendus

Raskesti ligipääsetavate kohtade kastmine. Paigaldage torupikendus tööriistakorpusel ja otsaku vahele, järgides samu samme nagu otsaku paigaldamisel.

▶ **Joon.12:** 1. Torupikendus 2. Tööriista korpus 3. Otsak 4. Juhteendid 5. Lukustuspiilud 6. Kolmnurgasümbolid

Tarvikute lahutamiseks vajutage ja hoidke otsatarvikut paigaldusliitmiku/korpuse suunas ning keerake seda seejärel vastupäeva, kuni kaks kolmnurgasümbolit on kohakuti. Tõmmake lukust avatud otsatarvik paigaldusliitmiku/korpuse küljest ära.

## Veemahutiga ühendamine

**TÄHELEPANU:** Kasutage veevarustuseks alati tööriistaga kaasas olevat survevoolikut ja sõelfiltrit.

**TÄHELEPANU:** Hoidke kõrgsurvepesuri siselaske ja veepinna vahel kuni 2,0 m kõrgust. Muudu ei suuda kõrgsurvepesur vett pumpa tõmmata.

**TÄHELEPANU:** Täidetav veemahuti peab olema rohkem kui 25 mm paksuse põhjaga ning sõelfilter peab olema üleni vees.

Vett saab võtta iga suurusega mahutist/paagist/anumast.

Mahutist võetavat vett kasutatakse sellistes survepesu-olukordades nagu autopesu, aiandus jne, kus kohapeal pole vett ja see tuleb pesemisalale või pesemiskohta transportida.

1. Kinnitage sõelfilter survevooliku ühte otsa.

Sisestage sõelfiltri väljalaskeava ühendusmuhvi ja lükake, kuni sõelfilter on paigas.

▶ **Joon.13:** 1. Sõelfilter 2. Ühendusmuhv 3. Survevoolik

2. Jätke sõelfilter veemahuti põhja.

▶ **Joon.14:** 1. Sõelfilter 2. Survevoolik 3. Voolikukonks

**MÄRKUS:** Kinnitage voolik avale, kasutades kaasasolevat voolikukonksu, nii et sõelfilter oleks üleni mahuti põhjas.

3. Kinnitage vooliku teine ots kõrgsurvepesuri veevooliku üleminekul.

Aseta ühendusmuhv ühenduse sisselaskele ja lükake sisse, kuni ühendusmuhv on paigas.

▶ **Joon.15:** 1. Ühendusmuhv 2. Veevooliku üleminek

**⚠ETTEVAATUST:** Veenduge, et kõrgsurvevoolik oleks kindlalt ühendatud. Lõdva kinnituse tõttu võib kõrgsurvevoolik lahti tulla ja põhjustada kehavigastusi.

**TÄHELEPANU:** Laske alati vesi kõrgsurvepesurisse ja voolikusse, enne kui vett kõrgsurvezeemis teatud sügavuselt pumpate.

## Ühenduse loomine veevõrguga

**⚠ETTEVAATUST:** Kasutage veevarustuseks alati selle tööriistaga kaasas olevat survevoolikut.

**TÄHELEPANU:** Kui ühendate joogivee tarbeks veevõrguga, kasutage teie piirkonna eeskirjadele vastavat tagasisvooluklappi.

**TÄHELEPANU:** Täpseks toiteks hoidke vee sisselaskesurve alla 0,5 MPa. Ärge ületage maksimummaalist toitesurvet, sest see võib põhjustada tööriista seiskumisel veelekkedid.

Veevarustuseks võib kasutada veevõrku, kui see on pesemisalas või -kohas olemas. Pideva veevarustuse korral ei pea te muretsema vee lisamise pärast ning saate kodus ja aias tõhusalt puhastada, näiteks teha kohtpuhastust, loputada ning kasta suurt murupinda või taimi.

1. Ühendage survevoolik kraanile.

Kasutage voolikutoosa kinnitamiseks kraanile sobivat liitmikku, näiteks veekraani liitmikku.

► **Joon.16:** 1. Veekraani liitmik 2. Ühendusmuhv 3. Survevoolik

**MÄRKUS:** Liitmiku tüüp oleneb selle kraani kujust, millega te ühenduse loote. Valmistage ette kauplusest ostetud sobiv liitmik.

2. Kinnitage vooliku teine ots kõrgsurvepesuri veevooliku üleminekul.

Asetage ühendusmuhv ühenduse sisselaskeskele ja lükake sisse, kuni ühendusmuhv on paigas.

► **Joon.17:** 1. Ühendusmuhv 2. Veevooliku ülemineku

## Vahuotsaku paigaldamine

### Valikuline tarvik

**⚠ETTEVAATUST:** Lisaliitmike paigaldamisel/ eemaldamisel lukustage alati lüliti päästik.

**TÄHELEPANU:** Kasutage ainult neutraalset pesuvahendit. Ärge kasutage olmpuhastusvahendeid, happelisi ja leeliselisi puhastusvahendeid, pleegiteid, lahusteid, tuleohtlikke materjale ega tööstuslikke lahusteid, mis võivad tööriista või vara kahjustada. Valmistage puhastuslahus ette nii, nagu lahustipudelil kirjeldatakse, ning testige seda enne alati märkamatus kohas.

**TÄHELEPANU:** Suure viskoossusega puhastusvahendi kasutamisel ummistub otsak tõenäoliselt. Suure viskoossusega puhastusvahendi kasutamisel lahjendage seda enne kasutamist, lisades pudelisse vett.

**MÄRKUS:** Vahuotsaku kasutamisel lahjendatakse pudelis olev pesuvahend tööriistast saadava veega ja pihustatakse. Te ei pea pudelis olevat pesuvahendit rohkem lahjendama kui vaja. Kohandage pesuaine kontsentratsiooni vastavalt kasutustingimustele.

**MÄRKUS:** Kui vahuotsak on küljele kaldu, võib puhastusvahendit maha voolata.

Valmistage puhastusaine ette enne vahuotsaku kasutamist.

1. Täitke mahuti pesuvahendiga. Kinnitage otsak mahutile ja kinnitage kaas korralikult.
2. Joondage vahuotsaku juhteendid tööriistakorpusel olevate lukustuspiludega. Lükake otsak täiesti sisse ja hoidke paigal. Seejärel keerake vahuotsakut lukustamiseks joonisel kujutatud suunas.  
► **Joon.18:** 1. Vahuotsak 2. Mahuti 3. Juhteendid 4. Lukustuspilud

Kui olete otsaku paigaldanud, proovige seda tagasi tõmmata, et kontrollida selle kindlat asendit.

3. Pesuvahendilahuse imemismahu seadistamiseks keerake pesuvahendi valitsat.

► **Joon.19:** 1. Pesuvahendi valits 2. Miinimumile keeramine 3. Maksimumile keeramine

## Valikuliste otsakute paigaldamine

### Valikuline tarvik

**⚠ETTEVAATUST:** Lisaliitmike paigaldamisel/ eemaldamisel lukustage alati lüliti päästik.

Joondage valikulise otsaku juhteendid tööriistakorpusel olevate lukustuspiludega. Lükake otsak täiesti sisse ja hoidke paigal. Seejärel keerake otsakut lukustamiseks joonisel kujutatud suunas.

Kui olete otsaku paigaldanud, proovige seda tagasi tõmmata, et kontrollida selle kindlat asendit.

► **Joon.20:** 1. Otsakud 2. Juhteendid 3. Lukustuspilud

Otsaku lahutamiseks vajutage ja hoidke otsakut tööriistakorpusse suunas ning keerake seda seejärel vastupäeva, et lukustus lahti tuleks. Tõmmake lukust avatud otsak kõrgsurvepesurilt ära.

## Plastpudeliadapteri paigaldamine

### Valikuline tarvik

**⚠ETTEVAATUST:** Lisaliitmike paigaldamisel/ eemaldamisel lukustage alati lüliti päästik.

**⚠ETTEVAATUST:** Kontrollige, et plastpudeliadapter oleks kindlalt kõrgsurvepesurile ja plastpudelile kinnitunud. Vastasel juhul võib pudel maha kukkuda ja kehavigastusi põhjustada.

**MÄRKUS:** Vesi on hea panna 2-liitrisse (pool gallonit) plastpudelisse.

1. Täitke plastpudel veega.
2. Asetage imitoru läbi pudelisuudme pudelipõhja.
3. Kinnitage adapter pudelile, keerates ühendusmuhvi mutrit.
4. Kinnitage plastpudeliadapter kõrgsurvepesuri veevooliku üleminekul.

Asetage ühendusmuhv ühenduse sisselaskeskele ja lükake sisse, kuni ühendusmuhv on paigas.

► **Joon.21:** 1. Plastpudeliadapter 2. Imitor 3. Plastpudel 4. Veevooliku ülemineku

# TÖÖRIISTA KASUTAMINE

**⚠️HOIATUS:** Ärge puudutage veejuga ega suunake seda enda või teiste poole. Veejuga on ohtlik ja võib teile või teistele viga teha.

**⚠️HOIATUS:** Veejuga lastes ärge kunagi hoidke puhastatavat eset käes ega pange oma käsi ja jalgu veejoo lähedusse.

**⚠️ETTEVAATUST:** Ärge laske kõrgsurvepesuril töötada ilma veeta kauem kui 1 minut(it).

**⚠️ETTEVAATUST:** Ärge kasutage kõrgsurvepesurit pikka aega järjest. See võib põhjustada ülekuumenemise või tulekahju. Samuti võib pikaajaline kasutamine tekitada vibratsioonitõbe.

**⚠️ETTEVAATUST:** Jälgige tuule suunda. Kui puhastusaine satub silma või suhu, loputage viivitamatult puhta veega ja vajaduse korral pöörduge arsti poole.

**TÄHELEPANU:** Kõrgsurvepesuri mehhanismi kaitsmiseks ärge kasutage üle 40 °C (104°F) sooja vett.

**TÄHELEPANU:** Ärge kasutage töötlemata vett, näiteks jõest või tiigist, samuti mitte liivast või mudast vett. Filtreerimata must vesi võib põhjustada soovimatut materjali ladestisi pumbal, mis omakorda võib põhjustada tõrkeid.

## Vee pumpamiskõrgus

Vertikaalne kõrgus veeallikast kõrgsurvepesuri sisseimuni peab jääma 2,0 m piiresse.

## Basseinivee sügavus

Täitke veega mahuti, mille põhja paksus on üle 25 mm.

► **Joon.22:** 1. Vee pumpamiskõrgus 2. Basseinivee sügavus

## Tavapärane kasutamine

1. Ühendage veevooliku sisselase veevarustuse külge.
2. Ühendage veevooliku väljalase kõrgsurvepesuriga.  
► **Joon.23**
3. Kui kõrgsurvepesurisse jäänud vesi on pärast viimast kasutamist välja lastud, laske vesi survevoolikusse ja kõrgsurvepesurisse.

Laske veel läbi vooliku ja pesuri voolata, kuni nendes olev õhk väljub.

- (1) Eemaldage otsak kõrgsurvepesurilt.
- (2) Paigaldage kõrgsurvepesurisse akukassett.
- (3) Valige kõrgsurverežiim.
- (4) Vabastage lüliti päästik lukust.
- (5) Vajutage ja hoidke lüliti päästikut, kuni kõrgsurvepesurist hakkab tulema ühtlane veejuga.  
► **Joon.24:** 1. Surverežiimi hoobüliti

Pärast õhumullide väljalaskmist kõrgsurvepesurist ja voolikust laske lüliti päästik lahti.

Eemaldage akukassett kõrgsurvepesurist ja kinnitage kasutusotstarbeks sobiv otsak.

4. Avage kate ja paigaldage akukassett kõrgsurvepesurisse ning seejärel lukustage kaas.

► **Joon.25:** 1. Akukassett 2. Kaas

**⚠️ETTEVAATUST:** Olge akukatte avamisel ja sulgemisel ettevaatlik, et sõrmed vahele ei jääks.

5. Valige soovitud surverežiim. Seejärel vabastage lüliti päästik lukust.

► **Joon.26:** 1. Surverežiimi hoobüliti 2. Lüliti päästik 3. Lukustusnupp

6. Suunake otsaku pea kastetava ala või koha poole. Vajutage lüliti päästikut.

Veejuga väljub seni, kuni päästikut vajutatakse.

► **Joon.27**

► **Joon.28**

**⚠️ETTEVAATUST:** Hoidke kõrgsurvepesurit tugevalt. Tööriist pörkab lüliti päästiku vajutamisel tagasi.

**⚠️ETTEVAATUST:** Veejoo väljalaskmisel hoidke alati kinni kõrgsurvepesuri käepidemest ja torust.

## Pärast kasutamist

**⚠️ETTEVAATUST:** Pärast kõrgsurvepesuri kasutamist tehke alati selles juhendis kirjeldatud protseduur. Kõrgsurvepesuri jääkrõhk võib tekitada kehavigastusi või kahjustada seesmist pumpa.

1. Laske lüliti päästik lahti ja lukustage see lukustusnupuga.
2. Lahutage veevoolik veevarustuse küljest.  
► **Joon.29**
3. Vabastage lüliti päästik ja vajutage seda, kuni kõrgsurvepesuris ja voolikus olev jääkvesi on välja lastud.  
► **Joon.30**

**TÄHELEPANU:** Ärge käitage mootorit üle 1 minuti.

4. Laske lüliti päästik lahti ja lukustage see lukustusnupuga. Seejärel eemaldage aku kõrgsurvepesurilt.  
► **Joon.31:** 1. Lukustusnupp 2. Akukassett
5. Lahutage survevoolik kõrgsurvepesurilt.  
► **Joon.32:** 1. Ühendusmuhv 2. Veevooliku üleminek

**TÄHELEPANU:** Selleks et survevoolik kahjustada ei saaks, eemaldage enne vooliku hoiule panemist selles olev jääkvesi.

## HOOLDUS

**⚠️ETTEVAATUST:** Kandke alati enne kontroll- või hooldustoimingute tegemist hoolt selle eest, et tööriist oleks välja lülitatud ja akukassett eemaldatud.

**TÄHELEPANU:** Ärge kunagi kasutage bensiini, vedeldit, alkoholi ega midagi muud sarnast. Selle tulemuseks võib olla luitumine, deformatsioon või pragunemine.

Toote OHUTUSE ja TÖÖKINDLUSE tagamiseks tuleb vajalikud remonttööd ning muud hooldus- ja reguleerimistööd lasta teha Makita volitatud teeninduskeskustes või tehase teeninduskeskustes. Alati tuleb kasutada Makita varuosi.

## Otsakute puhastamine

Otsaku avadesse kogunenud mustuse eemaldamiseks kasutage puhastusvarrast või väikest viili.

► **Joon.33:** 1. Puhastusnõel 2. Otsak

**MÄRKUS:** Optimaalse jõudluse säilitamiseks puhastage otsakut perioodiliselt.

**TÄHELEPANU:** Ärge eemaldage mustust või prahti jõuga. Selle tulemuseks võivad olla kehavigastused või väljumisava kahjustused, mis põhjustab joa suuna kõrvalekaldumist või kehva toimimist.

## Filtrite puhastamine

Lahutage veevooliku üleminek kõrgsurvepesurilt. Eemaldage filtrile kogunenud tolm või mustus.

► **Joon.34:** 1. Veevooliku üleminek 2. Filter 3. Tihendrõngas

Võtke sõelfilter ära, keerates filtriümbrise lahti. Eemaldage filtrile kogunenud tolm või mustus.

► **Joon.35:** 1. Filter 2. Filtri ümbris

**MÄRKUS:** Optimaalse töövoime tagamiseks puhastage filtreid perioodiliselt.

## VEAOTSING

Enne remonditöökotta pöördumist kontrollige niidukit ise. Ärge üritage niidukit lahti võtta, kui leiate probleemi, mida kasutusjuhendis ei kirjeldata. Selle asemel pöörduge Makita volitatud teeninduskeskusesse, kus kasutatakse remontimisel alati Makita tagavaraosi.

| Tõrge                            | Võimalik põhjus (riike)             | Lahendus  |
|----------------------------------|-------------------------------------|---|
| Pesur ei käivitu.                | Elektrit ei ole                     | Paigaldage laetud akukasett.  |
|                                  | Lüliti päästik on lukustatud.       | Vabastage lüliti päästik lukust.  |
|                                  | Kahjustatud aku või elektriahel     | Võtke parandustööde asjus ühendust volitatud teeninduskeskusega.                                |
| Veejuga puudub / veejuga on nõrk | Veevarustus puudub                  | Kraan peab lahti olema. Veevarustusega ühendamisel laske vesi kõrgsurvepesurisse ja voolikusse. |
|                                  | Kehv veevarustus                    | Keerake kraan lahti.  |
|                                  | Kehv veevooliku ühendus             | Kontrollige kõrgsurvepesuri ja veevarustuse vahelist ühendust.                                  |
|                                  | Deformeerunud või kulunud veevoolik | Tehke voolik sirgeks. Asendage kahjustunud veevoolik uuega.                                     |
|                                  | Ummistunud voolik või otsak         | Eemaldage voolikust või otsakust ummistus.  |
|                                  | Ummistunud filtrid                  | Eemaldage sõelfiltrile olevatele filtritele ja veevooliku üleminekule kogunenud tolm ja mustus. |
|                                  | Prügi / saastunud vesi              | Puhastage veesüsteem ja täitke puhta veega.   |
|                                  | Kahjustatud või kulunud otsak       | Asendage otsak.   |
|                                  | Pumba või ventiili riike            | Võtke parandustööde asjus ühendust volitatud teeninduskeskusega.                                |
|                                  | Lahtine veeühendus                  | Kinnitage veevooliku ja ühendusmuhvi vaheline ühendus.  |
|                                  | Lekked veevarustuse ühendusest      | Pingutage veevooliku ja veevarustuse vaheline ühendus uuesti.                                   |
|                                  | Ebapiisavalt paigaldatud sõelfilter | Asetage filter täielikult vette.  |
|                                  | Madalsurvežiim kasutuses            | Valige kõrgsurvežiim.   |

| Tõrge              | Võimalik põhjus (riike)           | Lahendus   |
|--------------------|-----------------------------------|--|
| Ebaühtlane veejuga | Ummistunud otsak                  | Eemaldage puhastusnõela abil ummistus otsaku väljalaskeavast.  |
|                    | Kehv veemine                      | Kontrollige, ega veevoolikus pole lekkeid või ummistusi.   |
|                    | Vesi on liiga kuum.               | Varustage jahedama veega.  |
|                    | Ventiili riike                    | Võtke parandustööde asjus ühendust volitatud teeninduskeskusega.                                       |
| Tavatu heli        | Vesi on liiga kuum.               | Varustage jahedama veega.  |
| Veeleke            | Kehv ühendus                      | Kontrollige kõrgsurvepesuri ja veevarustuse vahelist ühendust.   |
|                    | Otsaku halb paigaldus             | Lükake otsak täiesti sisse. Seejärel keerake otsakut, kuni see on kindlalt lukustunud.                 |
|                    | Otsaku pea jääb valesse asendisse | Seadke otsaku pea nii, et see fikseeruks asendisse klõpsuga ja pihustusmustril sümbol on selgelt näha. |
|                    | Kulunud tihendid                  | Võtke parandustööde asjus ühendust volitatud teeninduskeskusega.                                       |

## VALIKULISED TARVIKUD

**⚠ETTEVAATUST:** Neid tarvikuid ja lisaseadiseid on soovitatav kasutada koos Makita tööriistaga, mille kasutamist selles kasutusjuhendis kirjeldatakse. Muude tarvikute ja lisaseadiste kasutamisega kaasneb vigastada saamise oht. Kasutage tarvikuid ja lisaseadiseid ainult otstarbekohaselt.

Saate vajaduse korral kohalikust Makita teeninduskeskusest lisateavet nende tarvikute kohta.

**MÄRKUS:** Mõned nimekirjas loetletud tarvikud võivad kuuluda standardvarustusse ning need on lisatud tööriista pakendisse. Need võivad riigiti erineda.

### Vahuotsak

#### ► Joon.36

Puhastusvahendit saab pihustada vahuna.

### Puhastushari

#### ► Joon.37

Harjaga varustatud otsak. Kasulik mustuse väljapeseamiseks, samal ajal harjaga hõõrudes.

### Nurkotsak

#### ► Joon.38

Nurkotsaku pea saab 360 kraadi pöörelda, võimaldades manööverdämist ning katta kogu pind.

### Plastpudeliadapter

#### ► Joon.39

Pumbake pudelis olevat vett ja võtke seda kergesti plastpudelist. Veeallikana võib kasutada veepudelit.



## ОСТОРОЖНО

- Устройство не должно использоваться детьми. Следите за тем, чтобы дети не использовали устройство в качестве игрушки.
- Данное устройство не предназначено для использования людьми (включая детей) с ограниченными физическими, сенсорными или умственными возможностями, либо не имеющими соответствующего опыта или знаний, за исключением случаев, когда они действуют под надзором или после надлежащего инструктажа по использованию устройства со стороны лица, ответственного за их безопасность.
- Запрещается направлять воду под напором на людей, находящиеся под напряжением электрооборудование и само устройство.
- Перед выполнением каких-либо работ с устройством обязательно убедитесь в том, что оно выключено, а блок аккумулятора снят.
- Не используйте устройство в случае повреждения важных компонентов, например предохранительных устройств, шлангов высокого давления.
- Сведения о мерах предосторожности при техническом обслуживании изделия пользователем представлены в инструкциях раздела, посвященного техническому обслуживанию.
- Узнайте нормальный диапазон температур для зарядки аккумулятора. Прочтите инструкции по технике безопасности в отношении блока аккумулятора для ознакомления с мерами предосторожности при обращении с аккумуляторами.
- Соответствующие сведения о мерах предосторожности во время установки устройства представлены в инструкциях раздела, посвященного сборке.
- Узнайте максимальное давление воды на входе. Соответствующие сведения о подключении к магистральному водопроводу представлены в разделе о технических характеристиках.
- Обязательно используйте наборы шлангов, поставляемые в комплекте с устройством. Прочтите инструкции в разделе, посвященном сборке, для ознакомления с мерами предосторожности при подключении к магистральному водопроводу.

- Водоналивное отверстие не должно открываться во время использования. Поддерживайте давление воды, следуя инструкциям в разделе, посвященном сборке.
- Не используйте плавательные бассейны с находящейся в них водой.
- Сj,k.lfqnt nht,jdfybzСоблюдайте требования местной компании по водоснабжению.
- Для европейских стран:  
Согласно EN12729 (ВА), прибор также может быть подключен к магистрали питьевой воды, если в шланг подачи установлен обратный клапан с устройством слива.

## ТЕХНИЧЕСКИЕ ХАРАКТЕРИСТИКИ

| Модель:   |  | DHW180                  |
|---|--|-------------------------|
| Макс. расход воды <sup>*1</sup><br>[При подаче воды из резервуара / При подаче воды из водопровода] |  | 3,0 / 5,3 л/мин         |
| Расход воды <sup>*2</sup>   | Высокий  | 2,5 л/мин               |
|   | Низкий   | 1,5 л/мин               |
| Макс. рабочее давление  |  | 2,4 МПа                 |
| Рабочее давление <sup>*2</sup>  | Высокий<br>[При подаче воды из резервуара /<br>При подаче воды из водопровода] | 2,0 / 2,2 МПа           |
|   | Низкий<br>[При подаче воды из резервуара /<br>При подаче воды из водопровода]  | 0,8 / 0,8 МПа           |
| Макс. давление подачи   |  | 0,5 МПа                 |
| Макс. температура подачи  |  | 40°C                    |
| Макс. высота всасывания   |  | 2,0 м                   |
| Номинальное напряжение  |  | 18 В пост. тока         |
| Размеры <sup>*3</sup><br>[Д x Ш x В]  |  | 888 мм x 99 мм x 239 мм |
| Масса   |  | 2,3 - 2,7 кг            |

\*1 : Без насадки

\*2 : Форма распыла 15°

\*3 : С насадкой 5-в-1 и удлинителем

- Благодаря нашей постоянно действующей программе исследований и разработок указанные здесь технические характеристики могут быть изменены без предварительного уведомления.
- Технические характеристики могут различаться в зависимости от страны.
- Масса может отличаться в зависимости от дополнительного оборудования. Обратите внимание, что блок аккумулятора также считается дополнительным оборудованием. В таблице представлены комбинации с наибольшим и наименьшим весом в соответствии с процедурой EPTA 01/2014.

### Подходящий блок аккумулятора и зарядное устройство

|                     |   |
|---------------------|---|
| Блок аккумулятора   | BL1815N / BL1820B / BL1830B / BL1840B / BL1850B / BL1860B             |
| Зарядное устройство | DC18RC / DC18RD / DC18RE / DC18SD / DC18SE / DC18SF / DC18SH / DC18WC |

- В зависимости от региона проживания некоторые блоки аккумуляторов и зарядные устройства, перечисленные выше, могут быть недоступны.

**⚠ ОСТОРОЖНО:** Используйте только перечисленные выше блоки аккумуляторов и зарядные устройства. Использование других блоков аккумуляторов и зарядных устройств может привести к травме и/или пожару.

**⚠ ОСТОРОЖНО:** Не используйте с этой машиной проводной источник электропитания, например переходник зарядного устройства или портативный блок питания. Кабель этого источника электропитания может мешать работе и стать причиной травмы.

## Символы

Ниже приведены символы, которые могут использоваться для обозначения оборудования. Перед использованием убедитесь в том, что вы понимаете их значение.



Прочитайте руководство по эксплуатации.



Обратите особое внимание.



Только для стран ЕС  
В связи с наличием в оборудовании опасных компонентов отходы электрического и электронного оборудования, аккумуляторы и батареи могут оказывать негативное влияние на окружающую среду и здоровье человека.  
Не выбрасывайте электрические и электронные устройства или батареи вместе с бытовыми отходами!  
В соответствии с директивой ЕС по отходам электрического и электронного оборудования, по аккумуляторам, батареям и отходам аккумуляторов и батарей, а также в соответствии с ее адаптацией к национальному законодательству, отходы электрического оборудования, батареи и аккумуляторы следует хранить отдельно и доставлять на пункт раздельного сбора коммунальных отходов, работающий с соблюдением правил охраны окружающей среды.  
Это обозначено символом в виде перечеркнутого мусорного контейнера на колесах, нанесенным на оборудование.



Не подключайте устройство к крану питьевой воды.



Запрещается направлять струю на себя, окружающих людей, животных и находящееся под напряжением электрооборудование.

## Назначение

Данный инструмент предназначен для очистки от грязи с использованием водяной струи в качестве бытового применения. Предлагая возможность выбора типа распыления, инструмент функционирует с целью улучшения качества мытья, а также полива газонов и садов.

## МЕРЫ БЕЗОПАСНОСТИ

### ВАЖНЫЕ ИНСТРУКЦИИ ПО ТЕХНИКЕ БЕЗОПАСНОСТИ

**⚠ ОСТОРОЖНО:** Ознакомьтесь со всеми инструкциями и рекомендациями по технике безопасности. Невыполнение инструкций и рекомендаций может привести к поражению электротоком, пожару и/или тяжелым травмам.

### Сохраните брошюру с инструкциями и рекомендациями для дальнейшего использования.

**ОСТОРОЖНО!** При использовании этого устройства необходимо неукоснительно соблюдать основные меры предосторожности, в том числе:

**Безопасность в месте выполнения работ**

1. Не допускайте посторонних лиц в зону проведения работ.
2. Не старайтесь дотянуться до чего-либо и не вставляйте на неустойчивые опоры. Всегда сохраняйте устойчивое положение и равновесие.
3. Корпус устройства для мытья под давлением обязательно следует размещать на ровной и устойчивой поверхности. Избегайте участков, где отработавшая вода может растекаться или скапливаться.
4. Перед очисткой проверяйте окружающее пространство и очищаемые предметы. Струи под давлением могут повредить краску или другие типы покрытия, включая содержащие токсичные химикаты. При необходимости примите меры предосторожности.
5. Соблюдайте осторожность, чтобы не споткнуться о шланг устройства для мытья под давлением. Во время эксплуатации необходимо принимать во внимание конфигурацию шланга.
6. Во время использования устройства для мытья под давлением из его нижней части будет вытекать небольшое количество воды. Старайтесь не работать с инструментом над участками, намокание которых нежелательно.

**Личная безопасность**

1. Для защиты от струй и отбрасываемых ими предметов операторы должны надевать отвечающую соответствующим требованиям одежду, например, защитную обувь,

защитные каски со смотровыми щитками, средства защиты органов слуха и т. п.

- Используйте индивидуальные средства защиты. В зависимости от сферы применения используйте лицевой щиток, защитные или предохранительные очки, поскольку средство для защиты глаз способно останавливать разлетающиеся частицы, образуемые в результате различных операций.
- Не используйте устройство для мытья под давлением в пределах его досягаемости до людей, находящихся без защитной одежды.
- Для снижения риска нанесения травмы необходимо соблюдать особую осторожность при эксплуатации устройства рядом с детьми.
- При подключении к системе снабжения питьевой водой необходимо обеспечить защиту системы от обратного тока воды.
- Вода, прошедшая через обратный клапан не пригодна для питья.

#### Электробезопасность

- Запрещается прикасаться к блокам аккумуляторов мокрыми руками.
- Не используйте устройство в случае повреждения важных компонентов, например предохранительных устройств, шлангов высокого давления.
- Избегайте опасных сред. Не используйте инструмент в местах с повышенной влажностью и под дождем. Попавшая в инструмент вода повышает опасность поражения электрическим током.

#### Эксплуатация и обслуживание электроинструмента

- Прочитайте все инструкции перед эксплуатацией устройства.
- Ознакомьтесь со способами остановки устройства для мытья под давлением или сброса давления. Внимательно изучите органы управления.
- Не распыляйте легковоспламеняющиеся и/или токсичные жидкости. Это может привести к взрыву, отравлению людей или повреждению устройства.
- Не направляйте струю на себя или других людей с целью очистить одежду или обувь.
- Шланги, штуцеры и муфты высокого давления играют важную роль в обеспечении безопасности устройства. Используйте только шланги, штуцеры и муфты, рекомендованные производителем.
- Соблюдайте инструкции при смене насадок.
- Ручки инструмента всегда должны быть сухими и чистыми; на них не должно быть масла или смазки.
- Будьте бдительны – следите за тем, что вы делаете.
- Не используйте устройство в состоянии алкогольного или наркотического опьянения.
- Не держите устройство для мытья под давлением включенным дольше одной

минуты, если в нем нет воды. Это вызовет повреждение двигателя, ведущее к неисправности.

- Обязательно отключайте подачу электропитания и воды, оставляя устройство для мытья под давлением без присмотра.
- Не забывайте об отдаче. Устройство дает отдачу при выпуске струи под давлением из насадки. Крепко держите устройство во избежание травм по неосторожности.
- Перед использованием устройства проверьте его на наличие поврежденных или изношенных компонентов. Необходимо также убедиться, что шланг подсоединен должным образом, а во время работы не возникает утечек. Эксплуатация устройства с функциональными дефектами может привести к несчастному случаю.
- Не тяните за шланг для перемещения корпуса устройства для мытья под давлением. Это приведет к повреждению шланга и соединительных деталей, а также вызовет короткое замыкание или появления функциональных дефектов.
- Не кладите тяжелые предметы на шланг и не давайте транспортным средствам переезжать его.
- Перед отсоединением шланга обязательно сбрасывайте остаточное давление в устройстве.
- При подсоединении шланга к водопроводу следуйте инструкциям местной инстанции, занимающей водоснабжением (будь то подразделение или компания).
- В случае падения устройства для мытья под давлением или его удара о твердый предмет убедитесь в отсутствии на нем повреждений и трещин. Использование поврежденного устройства для мытья под давлением может привести к задымлению, возгоранию или поражению электрическим током, в результате чего возможно получение травмы.
- Не допускайте случайного запуска. Прежде чем подключать блок аккумулятора, поднимать или переносить устройство, убедитесь в том, что переключатель находится в выключенном положении. Если при переноске устройства палец пользователя находится на выключателе или питание подается на устройство с включенным выключателем, это может привести к несчастному случаю.
- Перед выполнением регулировок, сменой принадлежностей или хранением отсоединяйте блок аккумулятора от устройства. Такие профилактические меры предосторожности снижают риск случайного включения устройства.
- Не пытайтесь самостоятельно ремонтировать устройство или блок аккумулятора или вносить изменения в их конструкцию; строго соблюдайте инструкции по их эксплуатации.
- ОСТОРОЖНО!** Риск попадания жидкости под давлением или получения травмы. Не направляйте выходящий поток на людей.

23. Убедитесь в том, что очищаемый предмет или участок устойчив к смачиванию. В противном случае возможно повреждение изделия или объекта, которое может привести к получению травмы.

#### Эксплуатация и обслуживание электроинструмента, работающего на аккумуляторах

1. **Заряжайте аккумулятор только зарядным устройством, указанным изготовителем.** Зарядное устройство, подходящее для одного типа аккумуляторов, может привести к пожару при его использовании с другим аккумуляторным блоком.
2. **Используйте электроинструмент только с указанными аккумуляторными блоками.** Использование других аккумуляторных блоков может привести к травме или пожару.
3. **Когда аккумуляторный блок не используется, храните его отдельно от металлических предметов, таких как скрепки, монеты, ключи, гвозди, шурупы или другие небольшие металлические предметы, которые могут привести к закорачиванию контактов аккумуляторного блока между собой.** Короткое замыкание между контактами аккумуляторного блока может привести к ожогам или пожару.
4. **При неправильном обращении из аккумуляторного блока может потечь жидкость. Избегайте контакта с ней. В случае контакта с кожей промойте место контакта обильным количеством воды. В случае попадания в глаза обратитесь к врачу. Жидкость из аккумулятора может вызвать раздражение или ожоги.**
5. **Не используйте поврежденные или модифицированные инструменты и аккумуляторные блоки.** Поврежденные или модифицированные аккумуляторы могут работать некорректно, что может привести к пожару, взрыву или травмированию.
6. **Не подвергайте аккумуляторный блок или инструмент воздействию огня или высокой температуры.** Воздействие огня или температуры выше 130 °C может привести к взрыву.
7. **Следуйте всем инструкциям по зарядке и не заряжайте аккумуляторный блок или инструмент при температурных условиях, выходящих за пределы диапазона, указанного в инструкции.** Зарядка ненадлежащим образом или при температурных условиях, выходящих за пределы указанного диапазона, может привести к повреждению батареи и повысить риск пожара.

#### Сервисное обслуживание

1. **Следуйте инструкциям по техническому обслуживанию, приведенным в данном руководстве.**
2. **Для обеспечения безопасности устройства используйте только оригинальные запасные части, поставляемые производителем или одобренные им.**
3. **Обслуживание устройства для мытья под давлением должно проводиться только квалифицированным специалистом по**

ремонту и только с использованием запасных частей, идентичных заменяемым. Это позволит обеспечить безопасность устройства для мытья под давлением.

4. **В случае поломки или неисправности устройства для мытья под давлением немедленно выключите его и снимите блок(-и) аккумулятора(-ов). Обратитесь в местный дилерский или сервисный центр.**

#### Дополнительные предупреждения о безопасности

1. **Запрещается использовать инструмент, если существует риск удара молнии.**
2. **При использовании инструмента в грязи, на влажном склоне или на скользкой поверхности будьте осторожны, чтобы не поскользнуться.**
3. **Избегайте работать в сложных условиях, в которых ожидается повышенная усталость пользователя.**
4. **Запрещается заменять аккумулятор под дождем.**
5. **Не допускайте погружения инструмента в лужи.**
6. **Не храните инструмент в помещениях с высокой влажностью или температурой, на солнце или под дождем.**
7. **После использования инструмента очистите его от налипшей грязи и полностью высушите, перед тем как поместить на хранение. В зависимости от времени года и/или региона инструмент может выйти из строя из-за замерзания воды.**
8. **Избегайте смачивания клемм аккумулятора жидкостью, например водой, и не допускайте погружения аккумулятора в жидкость. Запрещается оставлять аккумулятор под дождем, заряжать, использовать или хранить аккумулятор в местах с повышенной влажностью. Мокрые клеммы или попадание жидкости внутрь аккумулятора могут привести к короткому замыканию аккумулятора, его перегреву, возгоранию или взрыву.**
9. **После извлечения аккумулятора из инструмента или зарядного устройства обязательно присоедините к аккумулятору крышку отсека аккумулятора и поместите его в сухое место.**
10. **Запрещается выполнять замену аккумулятора мокрыми руками.**
11. **В случае замерзания устройства при холодной погоде обратитесь в авторизованный сервисный центр для выполнения ремонта.**
12. **Не используйте с этим устройством проводного источника электропитания, например переходник зарядного устройства или портативный блок питания. Кабель этого источника электропитания может помешать работе и стать причиной травмы.**

## СОХРАНИТЕ ДАННЫЕ ИНСТРУКЦИИ.

**⚠ОСТОРОЖНО:** НЕ ДОПУСКАЙТЕ, чтобы удобство или опыт эксплуатации данного устройства (полученный от многократного использования) доминировали над строгим соблюдением правил техники безопасности при обращении с этим устройством.

**НЕПРАВИЛЬНОЕ ИСПОЛЬЗОВАНИЕ** инструмента или несоблюдение правил техники безопасности, указанных в данном руководстве, может привести к тяжелой травме.

## Важные правила техники безопасности для работы с аккумуляторным блоком

1. Перед использованием аккумуляторного блока прочитайте все инструкции и предупреждающие надписи на (1) зарядном устройстве, (2) аккумуляторном блоке и (3) инструменте, работающем от аккумуляторного блока.
2. Не разбирайте блок аккумулятора и не меняйте его конструкцию. Это может привести к пожару, перегреву или взрыву.
3. Если время работы аккумуляторного блока значительно сократилось, немедленно прекратите работу. В противном случае, может возникнуть перегрев блока, что приведет к ожогам и даже к взрыву.
4. В случае попадания электролита в глаза промойте их обильным количеством чистой воды и немедленно обратитесь к врачу. Это может привести к потере зрения.
5. Не замыкайте контакты аккумуляторного блока между собой:
  - (1) Не прикасайтесь к контактам какими-либо токопроводящими предметами.
  - (2) Не храните аккумуляторный блок в контейнере вместе с другими металлическими предметами, такими как гвозди, монеты и т. п.
  - (3) Не допускайте попадания на аккумуляторный блок воды или дождя.Замыкание контактов аккумуляторного блока между собой может привести к возникновению большого тока, перегреву, возможным ожогам и даже поломке блока.
6. Не храните и не используйте инструмент и аккумуляторный блок в местах, где температура может достигать или превышать 50 °C (122 °F).
7. Не бросайте аккумуляторный блок в огонь, даже если он сильно поврежден или полностью вышел из строя. Аккумуляторный блок может взорваться под действием огня.
8. Запрещено вбивать гвозди в блок аккумулятора, резать, ломать, бросать, ронять блок аккумулятора или ударять его твердым предметом. Это может привести к пожару, перегреву или взрыву.
9. Не используйте поврежденный аккумуляторный блок.

10. Входящие в комплект литий-ионные аккумуляторы должны эксплуатироваться в соответствии с требованиями законодательства об опасных товарах.

При коммерческой транспортировке, например, третьей стороной или экспедитором, необходимо нанести на упаковку специальные предупреждения и маркировку.

В процессе подготовки устройства к отправке обязательно проконсультируйтесь со специалистом по опасным материалам. Также соблюдайте местные требования и нормы. Они могут быть строже. Закройте или закрепите разомкнутые контакты и упакуйте аккумулятор так, чтобы он не перемещался по упаковке.

11. Для утилизации блока аккумулятора извлеките его из инструмента и утилизируйте безопасным способом. Выполняйте требования местного законодательства по утилизации аккумулятора блока.
12. Используйте аккумуляторы только с продукцией, указанной Makita. Установка аккумуляторов на продукцию, не соответствующую требованиям, может привести к пожару, перегреву, взрыву или утечке электролита.
13. Если инструментом не будут пользоваться в течение длительного периода времени, извлеките аккумулятор из инструмента.
14. Во время и после использования блок аккумулятора может нагреваться, что может стать причиной ожогов или низкотемпературных ожогов. Будьте осторожны при обращении с горячим блоком аккумулятора.
15. Не прикасайтесь к контактам инструмента сразу после использования, поскольку они могут быть достаточно горячими, чтобы вызвать ожоги.
16. Не допускайте налипания на контакты, отверстия и пазы блока аккумулятора опилок, пыли или земли. Это может стать причиной перегрева, возгорания, взрыва или неисправности инструмента или блока аккумулятора, что может привести к ожогам или травмам.
17. Если инструмент не рассчитан на использование вблизи высоковольтных линий электропередач, не используйте блок аккумулятора вблизи высоковольтных линий электропередач. Это может привести к неисправности, поломке инструмента или блока аккумулятора.
18. Храните аккумулятор в недоступном для детей месте.

## СОХРАНИТЕ ДАННЫЕ ИНСТРУКЦИИ.

**⚠ВНИМАНИЕ:** Используйте только фирменные аккумуляторные батареи Makita.

Использование аккумуляторных батарей, не произведенных Makita, или батарей, которые были подвергнуты модификациям, может привести к взрыву аккумулятора, пожару, травмам и повреждению имущества. Это также автоматически аннулирует гарантию Makita на инструмент и зарядное устройство Makita.

## Советы по обеспечению максимального срока службы аккумулятора

1. Заряжайте блок аккумуляторов перед его полной разрядкой. Обязательно прекратите работу с инструментом и зарядите блок аккумуляторов, если вы заметили снижение мощности инструмента.
2. Никогда не подзаряжайте полностью заряженный блок аккумуляторов. Перезарядка сокращает срок службы аккумулятора.
3. Заряжайте блок аккумуляторов при комнатной температуре в 10 - 40 °C (50 - 104 °F). Перед зарядкой горячего блока аккумуляторов дайте ему остыть.
4. Если блок аккумулятора не используется, извлеките его из инструмента или зарядного устройства.
5. Заряжайте ионно-литиевый аккумуляторный блок, если вы не будете пользоваться инструментом длительное время (более шести месяцев).

## ОПИСАНИЕ РАБОТЫ

**ВНИМАНИЕ:** Перед регулировкой или проверкой функций инструмента обязательно убедитесь, что он выключен и его аккумуляторный блок снят.

### Установка или снятие блока аккумуляторов

**ВНИМАНИЕ:** Обязательно выключайте инструмент перед установкой и извлечением аккумуляторного блока.

**ВНИМАНИЕ:** При установке и извлечении аккумуляторного блока крепко удерживайте инструмент и аккумуляторный блок. Если не соблюдать это требование, они могут выскользнуть из рук, что приведет к повреждению инструмента, аккумуляторного блока и травмированию оператора.

**ВНИМАНИЕ:** Соблюдайте осторожность, чтобы не прищемить пальцы при открывании или закрывании крышки аккумуляторного отсека.

Откройте крышку, нажимая на рычаг блокировки.

► **Рис.1:** 1. Крышка 2. Стопорный рычаг

Совместите выступ блока аккумулятора с пазом в корпусе и задвиньте его на место. Вставьте его до упора, чтобы он зафиксировался с легким щелчком. Если виден красный индикатор, как показано на рисунке, это означает, что блок не зафиксирован полностью.

► **Рис.2:** 1. Красный индикатор 2. Кнопка 3. Блок аккумулятора

После установки или извлечения блоков аккумуляторов не забудьте закрыть крышку.

Для снятия блока аккумулятора откройте крышку, выдвиньте блок аккумулятора из инструмента, нажимая на кнопку, расположенную спереди, а затем закройте крышку.

**ВНИМАНИЕ:** Обязательно устанавливайте блок аккумулятора до конца, чтобы красный индикатор не был виден. В противном случае блок аккумулятора может выпасть из инструмента и нанести травму вам или другим людям.

**ВНИМАНИЕ:** Не прилагайте чрезмерных усилий при установке аккумуляторного блока. Если блок не двигается свободно, значит он вставлен неправильно.

**ВНИМАНИЕ:** Не забудьте зафиксировать крышку перед началом работы.

### Система защиты инструмента/аккумулятора

Инструмент оснащен системой защиты инструмента/аккумулятора. Система автоматически отключает питание двигателя для продления срока службы инструмента и аккумулятора. Инструмент автоматически прекратит работу с соответствующей индикацией, если инструмент или аккумулятор окажется при одном из следующих условий:

► **Рис.3:** 1. Индикатор

### Защита от перегрузки

Если в текущем режиме эксплуатации инструмент или аккумулятор потребляет слишком большой ток, то инструмент автоматически прекратит работу и загорится красный индикатор. В этом случае выключите инструмент и прекратите его применение, из-за которого произошла его перегрузка. Затем включите инструмент для повторного запуска.

### Защита от перегрева

При перегреве инструмента или аккумулятора инструмент автоматически прекращает работу и загорается красный индикатор. В этом случае дайте инструменту остыть перед повторным включением.

### Защита от переразрядки

При достижении низкого уровня емкости аккумулятора мигает красный индикатор. Если аккумулятор приближается к состоянию полной разрядки, инструмент автоматически прекращает работу и загорается красный индикатор. В этом случае извлеките аккумулятор из инструмента и зарядите аккумулятор.

### Защита от других неполадок

Система защиты также обеспечивает защиту от других неполадок, способных повредить инструмент, и обеспечивает автоматическую остановку инструмента. В случае временной остановки или прекращения работы инструмента выполните все перечисленные ниже действия для устранения причины остановки.

1. Выключите и снова включите инструмент для его перезапуска.
2. Зарядите аккумулятор(-ы) или замените его (их) на заряженный(-е).
3. Дайте инструменту и аккумулятору (аккумуляторам) остыть.

Если после возврата системы защиты в исходное состояние ситуация не изменится, обратитесь в сервисный центр Makita.

**ПРИМЕЧАНИЕ:** Если инструмент останавливается по причине, не описанной выше, см. раздел, касающийся поиска и устранения неисправностей.

## Индикация оставшегося заряда аккумулятора

Только для блоков аккумулятора с индикатором

Нажмите кнопку проверки на аккумуляторном блоке для проверки заряда. Индикаторы загорятся на несколько секунд.

► **Рис.4:** 1. Индикаторы 2. Кнопка проверки

| Индикаторы |       |        | Уровень заряда                               |
|------------|-------|--------|--|
| Горит      | Выкл. | Мигает |  |
| ■ ■ ■ ■    | □     | ▬      | от 75 до 100%                                |
| ■ ■ ■ □    | □     | ▬      | от 50 до 75%                                 |
| ■ ■ □ □    | □     | ▬      | от 25 до 50%                                 |
| ■ □ □ □    | □     | ▬      | от 0 до 25%                                  |
| ▬ □ □ □    | □     | ▬      | Зарядите аккумуляторную батарею.             |
| ■ ■ □ □    | □     | ▬      | Возможно, аккумуляторная батарея неисправна. |
| □ □ ■ ■    | □     | ▬      |  |

**ПРИМЕЧАНИЕ:** В зависимости от условий эксплуатации и температуры окружающего воздуха индикация может незначительно отличаться от фактического значения.

**ПРИМЕЧАНИЕ:** Первая (дальняя левая) индикаторная лампа будет мигать во время работы защитной системы аккумулятора.

## Переключатель режимов давления

Выберите нужный режим давления, сдвигая рычаг переключателя вперед и назад.

Оттяните рычаг назад для переключения в режим низкого давления таким образом, чтобы на переключателе появился цифровой символ "1".

Толкните рычаг вперед для переключения в режим высокого давления таким образом, чтобы на переключателе появился цифровой символ "2".

► **Рис.5:** 1. Режим низкого давления (1) 2. Режим высокого давления (2) 3. Рычаг переключателя режимов давления

## Триггерный переключатель

В устройстве для мытья под давлением используется предохранительный фиксатор на триггерном переключателе. Для снятия блокировки триггерного переключателя вдавите кнопку блокировки в триггерный переключатель таким образом, чтобы поверхность триггерного переключателя стала плоской.

Чтобы выпустить струю воды, нажмите на триггерный переключатель. Струя продолжает выходить на протяжении всего времени, пока триггерный переключатель держится в нажатом положении.

► **Рис.6:** 1. Триггерный переключатель 2. Кнопка блокировки

Надавите на кнопку блокировки обратно изнутри триггерного переключателя для его блокировки. Обязательно блокируйте триггерный переключатель в то время, когда устройство для мытья под давлением не используется.

► **Рис.7:** 1. Триггерный переключатель 2. Кнопка блокировки

## Функции насадки

Многорегимная (5-в-1) распылительная насадка имеет различные формы распыла, которые можно регулировать в зависимости от потребностей в процессе мытья. Благодаря сочетанию пяти из наиболее часто используемых форм распыла в одной насадке отпадает необходимость в переключении с одной формы на следующую, а достаточно повернуть регулятор в положение, соответствующее нужной форме распыла для данной задачи.

**Простая смена насадок, 0°, 15°, 25°, 40° и разбрызгивание**

► **Рис.8**

► **Рис.9:** 1. Символ формы распыла 2. Треугольная метка

Поверните головку насадки влево или вправо в положение, соответствующее нужной форме распыла.

Правильно совместите символ формы распыла, который хотите выбрать, с треугольной меткой таким образом, чтобы головка насадки зафиксировалась с щелчком.

► **Рис.10**

**ПРИМЕЧАНИЕ:** Старайтесь не устанавливать головку насадки в какое-либо положение, не зафиксированное щелчком. В противном случае инструмент может создавать неправильные формы распыла, приводящие к утечкам воды.

**ВНИМАНИЕ:** Старайтесь не поворачивать корпус насадки одновременно со сменой форм распыла. Насадка может соскочить с корпуса инструмента и причинить травму.



## Предохранительный клапан

Данный инструмент снабжен предохранительным клапаном, предотвращающим нештатное возникновение избыточного давления.

**⚠ ВНИМАНИЕ:** Запрещается изменять или регулировать настройки предохранительного клапана.

## СБОРКА

**⚠ ВНИМАНИЕ:** Перед проведением каких-либо работ с инструментом обязательно убедитесь, что инструмент отключен, а блок аккумулятора снят.

## Установка насадки и удлинителя для распылителя

**⚠ ВНИМАНИЕ:** Присоединяя/отсоединяя насадку и удлинитель, обязательно блокируйте триггерный переключатель.

### Насадка

Совместите направляющие выступы на конце насадки с запирающими пазами в корпусе инструмента. Вдавите насадку до упора, пока две треугольные метки на насадке и корпусе не окажутся друг напротив друга. Затем поверните насадку в направлении, указанном на рисунке, чтобы ввести ее в положение блокировки.

Установив насадку, попробуйте вытянуть ее назад с целью убедиться в том, что она надежно держится на своем месте.

► **Рис.11:** 1. Насадка 2. Направляющий выступ 3. Запирающий паз 4. Треугольные метки 5. Плавниковый контур

**ПРИМЕЧАНИЕ:** Плавниковый контур следует обязательно повернуть таким образом, чтобы он был направлен вниз.

Для отсоединения насадки надавите на нее в сторону корпуса инструмента и удерживайте в этом положении, а затем поверните ее против часовой стрелки до тех пор, пока две треугольные метки не окажутся друг напротив друга. После разблокирования насадки снимите ее с корпуса инструмента.

### Удлинитель для распылителя

Промывание труднодоступных точек. Установите удлинитель для распылителя между корпусом инструмента и насадкой, выполнив те же действия, что описаны для установки насадки.

► **Рис.12:** 1. Удлинитель для распылителя 2. Корпус инструмента 3. Насадка 4. Направляющие выступы 5. Запирающие пазы 6. Треугольные метки

Для отсоединения насадок надавите на концевую насадку в сторону крепежа/корпуса, а затем поверните ее против часовой стрелки до тех пор, пока две треугольные метки не окажутся друг напротив друга. Снимите концевую насадку с крепежа/корпуса после ее разблокирования.

## Подключение к водоснабжению из резервуара

**ПРИМЕЧАНИЕ:** Для подачи воды обязательно используйте напорный шланг и фильтр грубой очистки, поставляемые в комплекте с данным инструментом.

**ПРИМЕЧАНИЕ:** Высота от входного отверстия устройства для мытья под давлением до поверхности воды обязательно должна составлять не более 2,0 м. В противном случае устройство для мытья под давлением не сможет забирать воду в насос.

**ПРИМЕЧАНИЕ:** Обязательно наполняйте контейнер для воды до уровня более 25 мм от дна и полностью погружайте фильтр грубой очистки в воду.

Вода может подаваться из резервуара/контейнера/емкости любого размера.

Мойка с подачей воды из резервуара служит для разрешения таких ситуаций с мойкой под давлением, например при мытье автомобиля или поливе сада, в которых вода отсутствует и должна доставляться в зону или на объект, где производится мойка.

1. Прикрепите фильтр грубой очистки к одному концу напорного шланга.

Вставьте выходной штуцер фильтра грубой очистки в соединительную муфту и проталкивайте его до тех пор, пока он не зафиксируется на своем месте.

► **Рис.13:** 1. Фильтр грубой очистки 2. Соединительная муфта 3. Напорный шланг

2. Оставьте фильтр грубой очистки на дне контейнера с водой.

► **Рис.14:** 1. Фильтр грубой очистки 2. Напорный шланг 3. Фиксатор шланга

**ПРИМЕЧАНИЕ:** Подвешивайте шланг на горлышко с использованием поставляемого в комплекте фиксатора шланга таким образом, чтобы фильтр грубой очистки неподвижно располагался на дне контейнера.

3. Прикрепите другой конец шланга к соединителю водяного шланга на устройстве для мытья под давлением.

Расположите соединительную муфту поверх входного штуцера соединителя и надавливайте на нее до тех пор, пока соединительная муфта не зафиксируется на своем месте.

► **Рис.15:** 1. Соединительная муфта 2. Соединитель водяного шланга

**▲ВНИМАНИЕ:** Убедитесь, что шланг высокого напряжения надежно закреплен. При ослабленном соединении шланг высокого давления может вылететь и нанести травму.

**ПРИМЕЧАНИЕ:** Всякий раз, когда требуется поднимать воду с некоторой глубины в режиме высокого давления, подавайте воду в устройство для мытья под давлением и шланг заранее.

## Подключение к водоснабжению из магистрального водопровода

**▲ВНИМАНИЕ:** Для подачи воды обязательно используйте напорный шланг, поставляемый в комплекте с данным инструментом.

**ПРИМЕЧАНИЕ:** Если вы подключаетесь к водопроводу, по которому подается питьевая вода, используйте обратный клапан, соответствующий требованиям местного законодательства.

**ПРИМЕЧАНИЕ:** Для обеспечения тонкой подачи поддерживайте давление подачи входящей воды на уровне менее 0,5 МПа. Не превышайте максимальное давление подачи, поскольку это может вызывать утечки воды при прекращении работы инструмента.

Вода может подаваться из магистрального водопровода, доступного на участке или объекте мойки. Непрерывная подача воды позволяет не заботиться о пополнении воды и обеспечивает возможность эффективной домашней уборки или садовых работ, в частности выведения пятен, ополаскивания и полива обширных территорий газонов или посевов.

1. Подсоедините напорный шланг к водопроводному крану.

Для скрепления конца шланга с водопроводным краном используйте подходящий фитинг, например соединительный элемент водопроводного крана.

► **Рис.16:** 1. Соединительный элемент водопроводного крана 2. Соединительная муфта 3. Напорный шланг

**ПРИМЕЧАНИЕ:** Тип фитинга зависит от формы водопроводного крана, к которому подсоединяется шланг. Подготовьте подходящий фитинг, приобретенный в продаже.

2. Прикрепите другой конец шланга к соединителю водяного шланга на устройстве для мытья под давлением.

Расположите соединительную муфту поверх входного штуцера соединителя и надавливайте на нее до тех пор, пока соединительная муфта не зафиксируется на своем месте.

► **Рис.17:** 1. Соединительная муфта 2. Соединитель водяного шланга

## Установка пенной насадки

### Дополнительные принадлежности

**▲ВНИМАНИЕ:** Присоединяя/отсоединяя дополнительные насадки, обязательно блокируйте триггерный переключатель.

**ПРИМЕЧАНИЕ:** Используйте только нейтральные моющие средства. Не используйте бытовые моющие средства, кислотные моющие средства, щелочные моющие средства, отбеливатели, растворители, воспламеняющиеся материалы или растворы промышленного типа, которые могут повредить инструмент или имущество владельца. Приготовьте очищающий раствор, как указано на флаконе с раствором, и обязательно испытайте его заранее в незаметном месте.

**ПРИМЕЧАНИЕ:** В случае использования высоковязкого моющего средства насадка с высокой вероятностью может засориться. При использовании моющего средства высокой вязкости разбавляйте его путем добавления воды во флакон перед использованием.

**ПРИМЕЧАНИЕ:** При использовании пенной насадки моющее средство во флаконе разбавляется водой, подаваемой инструментом, и распыляется. Уменьшать концентрацию находящегося во флаконе моющего средства больше необходимого не требуется. Регулируйте концентрацию моющего средства, сверяясь с условиями применения.

**ПРИМЕЧАНИЕ:** В случае опрокидывания пенной насадки на бок моющее средство может растечься.

Перед применением пенной насадки необходимо подготовить очищающее средство.

1. Наполните бачок моющим средством. Прикрепите насадку к бачку и плотно затяните крышку.
  2. Наклоните пенную насадку, чтобы совместить ее направляющие выступы с запирающими пазами в корпусе инструмента. Протолкните насадку до упора и удерживайте ее на месте. Затем поверните пенную насадку в направлении, указанном на рисунке, чтобы ввести ее в положение блокировки.
- **Рис.18:** 1. Пенная насадка 2. Бачок 3. Направляющий выступ 4. Запирающий паз

Установив насадку, попробуйте вытянуть ее назад с целью убедиться в том, что она надежно держится на своем месте.

3. Поверните регулятор подачи моющего средства для регулировки объема всасывания раствора моющего средства.

- **Рис.19:** 1. Регулятор подачи моющего средства 2. Поворот регулятора на минимум 3. Поворот регулятора на максимум

## Установка дополнительных насадок

### Дополнительные принадлежности

**⚠ВНИМАНИЕ:** Присоединяя/отсоединяя дополнительные насадки, обязательно блокируйте триггерный переключатель.

Совместите направляющие выступы на дополнительной насадке с запирающими пазами в корпусе инструмента. Протолкните насадку до упора и удерживайте ее на месте. Затем поверните насадку в направлении, указанном на рисунке, чтобы ввести ее в положение блокировки.

Установив насадку, попробуйте вытянуть ее назад с целью убедиться в том, что она надежно держится на своем месте.

► **Рис.20:** 1. Насадки 2. Направляющий выступ 3. Запирающий паз

Для отсоединения насадки надавите на нее в сторону корпуса инструмента и удерживайте в этом положении, а затем поверните ее против часовой стрелки до разблокирования. После разблокирования насадки снимите ее с устройства для мытья под давлением.

## Установка адаптера пластмассового флакона

### Дополнительные принадлежности

**⚠ВНИМАНИЕ:** Присоединяя/отсоединяя дополнительные насадки, обязательно блокируйте триггерный переключатель.

**⚠ВНИМАНИЕ:** Следите за тем, чтобы адаптер пластмассового флакона надежно крепился к устройству для мытья под давлением и пластмассовому флакону. Невыполнение этого требования может привести к падению флакона с возможным нанесением травмы.

**ПРИМЕЧАНИЕ:** Для содержания воды может быть предпочтительно использование 2-литрового (полу-галлонного) пластмассового флакона.

1. Залейте воду в пластмассовый флакон.
2. Сбросьте всасывающую трубку вниз через горлышко флакона.
3. Прикрепите адаптер к флакону, завернув гайку соединительной муфты.
4. Прикрепите адаптер пластмассового флакона к соединителю водяного шланга на устройстве для мытья под давлением.

Расположите соединительную муфту поверх входного штуцера соединителя и надавливайте на нее до тех пор, пока соединительная муфта не зафиксируется на своем месте.

► **Рис.21:** 1. Адаптер пластмассового флакона 2. Всасывающая трубка 3. Пластмассовый флакон 4. Соединитель водяного шланга

## ЭКСПЛУАТАЦИЯ

**⚠ОСТОРОЖНО:** Не прикасайтесь к струе воды и не направляйте ее на себя или окружающих. Струя воды представляет опасность и может травмировать вас или других людей.

**⚠ОСТОРОЖНО:** При подаче воды запрещено держать в руках очищаемый объект или держать руки и ноги в непосредственной близости от нее.

**⚠ВНИМАНИЕ:** Не держите устройство для мытья под давлением включенным дольше 1 минут(-ы), если в нем нет воды.

**⚠ВНИМАНИЕ:** Не допускайте непрерывной эксплуатации устройства для мытья под давлением в течение продолжительного периода времени. Это может привести к перегреву или возгоранию. Кроме того, длительное использование может вызвать нарушение работоспособности вследствие вибраций.

**⚠ВНИМАНИЕ:** Следите за направлением ветра. При попадании очищающего средства в глаза или полость рта немедленно промойте пострадавший участок чистой водой и при необходимости обратитесь к врачу.

**ПРИМЕЧАНИЕ:** Для защиты механизма устройства для мытья под давлением не используйте воду с температурой выше 40°C (104°F).

**ПРИМЕЧАНИЕ:** Не используйте источники неочищенной воды, в частности речную воду, прудовую воду, а также воду, содержащую песок либо илестые материалы. Неотфильтрованная грязная вода может вызывать отложение нежелательного материала в насосе, ведущее к неисправности.

### Высота подъема воды

Вертикальная высота от источника воды до водовпускного штуцера устройства для мытья под давлением должна быть в пределах 2,0 м.

### Глубина стоячей воды

Наполните контейнер водой до уровня выше 25 мм от дна.

► **Рис.22:** 1. Высота подъема воды 2. Глубина стоячей воды

### Последовательность действий при работе в базовом режиме

1. Подсоедините входной штуцер водяного шланга к водоснабжению.

2. Подсоедините выходной штуцер водяного шланга к устройству для мытья под давлением.

► **Рис.23**

3. Если вода, оставшаяся в устройстве для мытья под давлением с момента его последнего использования, была слита, подайте воду в напорный шланг и устройство для мытья под давлением.

Дайте воде протечь через шланг и устройства для мытья до вытеснения находящегося в них воздуха.

- (1) Снимите насадку с устройства для мытья под давлением.
  - (2) Установите блок аккумулятора в устройство для мытья под давлением.
  - (3) Выберите режим высокого давления.
  - (4) Разблокируйте триггерный переключатель.
  - (5) Нажмите триггерный переключатель и удерживайте его до тех пор, пока устройство для мытья под давлением не создаст устойчивую водяную струю.
- **Рис.24:** 1. Рычаг переключателя режимов давления

После выпуска воздуха из устройства для мытья под давлением и шланга отпустите триггерный переключатель.

Снимите блок аккумулятора с устройства для мытья под давлением и прикрепите подходящую для заданной цели насадку.

4. Откройте крышку, установите блок аккумулятора в устройство для мытья под давлением, а затем зафиксируйте крышку.
- **Рис.25:** 1. Блок аккумулятора 2. Крышка

**⚠ВНИМАНИЕ:** Соблюдайте осторожность, чтобы не прищемить пальцы при открывании или закрывании крышки аккумуляторного отсека.

5. Выберите нужный режим давления. Затем разблокируйте триггерный переключатель.
- **Рис.26:** 1. Рычаг переключателя режимов давления 2. Триггерный переключатель 3. Кнопка блокировки

6. Направьте головку насадки на участок или объект полива. Нажмите триггерный переключатель.

Струя воды продолжает выходить на протяжении всего времени, пока триггерный переключатель держится в нажатом положении.

► **Рис.27**

► **Рис.28**

**⚠ВНИМАНИЕ:** Крепко держите устройство для мытья под давлением. При нажатии триггерного переключателя инструмент дает отдачу.

**⚠ВНИМАНИЕ:** При выпуске водяной струи обязательно держите устройство для мытья под давлением за ручку и резервуар.

## После использования

**⚠ВНИМАНИЕ:** После использования устройства для мытья под давлением необходимо выполнить процедуру, описанную в настоящем руководстве. Остаточное давление в устройстве для мытья под давлением может вызвать травму или повреждение внутренней части насоса.

1. Отпустите триггерный переключатель и заблокируйте его, используя кнопку блокировки.
  2. Отсоедините водяной шланг от водоснабжения.
- **Рис.29**

3. Разблокируйте триггерный переключатель и нажимайте на него до тех пор, пока не сольется вода, оставшаяся в устройстве для мытья под давлением и шланге.

► **Рис.30**

**ПРИМЕЧАНИЕ:** Не держите двигатель включенным дольше 1 минут(-ы).

4. Отпустите триггерный переключатель и заблокируйте его, используя кнопку блокировки. Затем снимите аккумулятор с устройства для мытья под давлением и шланге.

► **Рис.31:** 1. Кнопка блокировки 2. Блок аккумулятора

5. Отсоедините напорный шланг от устройства для мытья под давлением.

► **Рис.32:** 1. Соединительная муфта 2. Соединитель водяного шланга

**ПРИМЕЧАНИЕ:** Во избежание повреждения напорного шланга выливайте оставшуюся в нем воду перед хранением.

## ОБСЛУЖИВАНИЕ

**⚠ВНИМАНИЕ:** Перед проведением осмотра или работ по техобслуживанию необходимо убедиться, что инструмент выключен, а блок аккумулятора снят.

**ПРИМЕЧАНИЕ:** Запрещается использовать бензин, растворители, спирт и другие подобные жидкости. Это может привести к обесцвечиванию, деформации и трещинам.

Для обеспечения БЕЗОПАСНОСТИ и НАДЕЖНОСТИ оборудования ремонт, любое другое техобслуживание или регулировку необходимо производить в уполномоченных сервис-центрах Makita или сервис-центрах предприятия с использованием только сменных частей производства Makita.

### Чистка насадок

Для удаления застрявшей грязи из отверстий насадки используйте очистной штырь, представляющий собой миниатюрный штифт типа напильника.

► **Рис.33:** 1. Очистной штырь 2. Насадка

**ПРИМЕЧАНИЕ:** Для поддержания оптимальной производительности необходимо периодически выполнять очистку насадок.

**ПРИМЕЧАНИЕ:** Не прилагайте повышенных усилий при удалении грязи и засоров. Невыполнение этого требования может привести к травмированию оператора или окружающих и повреждению отверстия для подачи. Это также может стать причиной искажения угла струи или снижения производительности.

## Очистка фильтров

Снимите соединитель водяного шланга с устройства для мытья под давлением. Удалите пыль или грязь, приставшую к фильтру.

- **Рис.34:** 1. Соединитель водяного шланга  
2. Фильтр 3. Уплотнительное кольцо

Разберите фильтр грубой очистки, отвинтив корпус фильтра. Удалите пыль или грязь, приставшую к фильтру.

- **Рис.35:** 1. Фильтр 2. Корпус фильтра

**ПРИМЕЧАНИЕ:** Для поддержания оптимальной производительности необходимо периодически выполнять очистку фильтра.

## ПОИСК И УСТРАНЕНИЕ НЕИСПРАВНОСТЕЙ

Прежде чем обращаться по поводу ремонта, проведите осмотр самостоятельно. Если обнаружена неисправность, не указанная в руководстве, не пытайтесь разобрать инструмент. Обратитесь в один из авторизованных сервисных центров Makita, в которых для ремонта всегда используются оригинальные детали Makita.

| Состояние неисправности              | Возможная причина (неисправности)                     | Способ устранения   |
|--------------------------------------|---|---|
| Водоструйный аппарат не запускается. | Нет электропитания                                    | Установите заряженный блок аккумулятора.  |
|                                      | Триггерный переключатель заблокирован.                | Разблокируйте триггерный переключатель.   |
|                                      | Повреждение аккумулятора или электрической цепи       | Обратитесь в авторизованный сервисный центр для выполнения ремонта.   |
| Нет струи воды / слабая струя воды   | Вода не подается                                      | Убедитесь, что водопроводный кран открыт. В случае подключения к водоснабжению из резервуара подайте воду в устройство для мытья под давлением и шланг. |
|                                      | Подается недостаточное количество воды                | Откройте кран водопровода.  |
|                                      | Ненадежное крепление водяного шланга                  | Проверьте соединение между устройством для мытья под давлением и источником подачи воды.  |
|                                      | Деформация или износ водяного шланга                  | Выпрямите шланг. Замените поврежденный водяной шланг на новый.  |
|                                      | Засорение шланга или насадки                          | Прочистите шланг или насадку.   |
|                                      | Засорение фильтров                                    | Удалите пыль или грязь, приставшую к фильтрующим элементам в фильтре грубой очистки и соединителе водяного шланга.                                      |
|                                      | Использование сточной или загрязненной воды           | Очистите систему подачи воды и заново залейте чистую воду.  |
|                                      | Повреждение или износ насадки                         | Замените насадку.   |
|                                      | Неисправность насоса или клапана                      | Обратитесь в авторизованный сервисный центр для выполнения ремонта.   |
|                                      | Ослабление водопроводной арматуры                     | Обеспечьте надежность соединения между водяным шлангом и соединительными муфтами.   |
|                                      | Утечки из соединений в системе подачи воды            | Подтяните соединение между водяным шлангом и источником подачи воды.  |
|                                      | Неудовлетворительная установка фильтра грубой очистки | Полностью погрузите фильтр грубой очистки в воду.   |
|                                      | Используется режим низкого давления                   | Выберите режим высокого давления.   |
| Нестабильная струя воды              | Насадка засорена                                      | Устраните засор в отверстии для подачи воды на насадке с помощью очистного штыря.   |
|                                      | Всасывание недостаточного количества воды             | Проверьте водяной шланг на наличие утечек или засоров.  |
|                                      | Вода слишком горячая.                                 | Подавайте более холодную воду.  |
|                                      | Клапан неисправен                                     | Обратитесь в авторизованный сервисный центр для выполнения ремонта.   |
| Необычный звук                       | Вода слишком горячая.                                 | Подавайте более холодную воду.  |

| Состояние неисправности | Возможная причина (неисправности)                  | Способ устранения  |
|-------------------------|--|--|
| Утечка воды             | Ненадежное соединение                              | Проверьте соединение между устройством для мытья под давлением и источником подачи воды.                         |
|                         | Некачественная установка насадки                   | Надавите на насадку до упора. Затем поверните насадку до ее надежной фиксации.                                   |
|                         | Головка насадки находится в неправильном положении | Установите головку насадки в положение, зафиксированное щелчком, чтобы был отчетливо виден символ формы распыла. |
|                         | Износ уплотнителей                                 | Обратитесь в авторизованный сервисный центр для выполнения ремонта.  |

## ДОПОЛНИТЕЛЬНЫЕ ПРИНАДЛЕЖНОСТИ

**▲ ВНИМАНИЕ:** Данные принадлежности или приспособления рекомендуются для использования с инструментом Makita, указанным в настоящем руководстве. Использование других принадлежностей или приспособлений может привести к получению травмы. Используйте принадлежность или приспособление только по указанному назначению.

Если вам необходимо содействие в получении дополнительной информации по этим принадлежностям, свяжитесь с вашим сервис-центром Makita.

**ПРИМЕЧАНИЕ:** Некоторые элементы списка могут входить в комплект инструмента в качестве стандартных приспособлений. Они могут отличаться в зависимости от страны.

### Пенная насадка

► Рис.36

Возможно распыление очищающего средства в виде пены.

### Моющая щетка

► Рис.37

Насадка снабжена щеткой. Эта насадка отлично удаляет грязь благодаря наличию щетки.

### Угловая насадка

► Рис.38

Головка угловой насадки может вращаться на 360 градусов, что обеспечивает ее управляемость и охватываемую область без каких-либо мертвых секторов.

### Адаптер пластмассового флакона

► Рис.39

Позволяет накачивать воду и легко извлекать ее из пластмассового флакона. Флакон с водой может служить в качестве источника воды.

## ЕСКЕРТУ

- Құрылғыны балалар пайдаланбауы керек. Балалардың құрылғымен ойнамауын қадағалау қажет.
- Бұл құрылғы олардың қауіпсіздігіне жауапты адам құрылғыны пайдалану бойынша қадағалау жүргізіп, нұсқаулар бермейінше, дене, сезім немесе ақыл-ой қабілеттері шектеулі, сондай-ақ тәжірибесі мен білімі жеткіліксіз тұлғаларға (соның ішінде балаларға) пайдалануға арналмаған.
- Су қысымын адамдарға, электр желісіне жалғанған электрлік жабдыққа немесе құрылғының өзіне бағыттауға болмайды.
- Құрылғымен қандай да бір жұмыс істемей тұрып, міндетті түрде құрылғыны өшіріп, аккумулятор картриджін шығарып алыңыз.
- Құрылғының қауіпсіздік құрылғылары, жоғары қысымды шлангілер сияқты маңызды бөлшектері зақымдалған болса, құрылғыны пайдаланбаңыз.
- Пайдаланушы жасайтын техникалық күтім кезіндегі сақтық шаралары туралы тиісті мәлімет алу үшін техникалық күтім бөліміндегі нұсқауларды оқыңыз.
- Аккумуляторды қуаттаудың қалыпты температура диапазонын біліңіз. Аккумуляторларды пайдаланудың сақтық шараларын білу үшін аккумулятор картриджінің қауіпсіздік нұсқауларын оқыңыз.
- Құрылғыны орнату кезіндегі сақтық шаралары туралы тиісті мәлімет алу үшін құрастыру бөліміндегі нұсқауларды оқыңыз.
- Кіретін судың максималды қысымын біліңіз. Су құбырына жалғау туралы тиісті мәліметтерді алу үшін техникалық сипаттамалар бөліміндегі ақпаратты оқыңыз.
- Құрылғымен берілген түтік жиынтықтарын міндетті түрде пайдаланыңыз. Су құбырына жалғауға қатысты сақтық шараларын білу үшін құрастыру бөліміндегі нұсқауларды оқыңыз.
- Қолдану кезінде су құю тесігін ашуға болмайды. Су қысымын сақтау үшін құрастыру бөліміндегі нұсқауларды орындаңыз.
- Суы бар бассейндерде қолданбаңыз.

- Жергілікті сумен жабдықтау компаниясының талаптарын сақтаңыз.
- Еуропа елдері үшін:  
EN12729 (BA) стандартына сәйкес, егер жабдықтағыш шлангінің ішінде ағызу қондырғысы бар кері ағысқа жол бермейтін клапан орнатылған болса, құрылғыны ауыз сумен жабдықтау желісіне жалғауға болады.

## ТЕХНИКАЛЫҚ СИПАТТАМАЛАРЫ

|   |   |               |
|---|---|---------------|
| Үлгі:   | DHW180  |               |
| Макс. ағу жылдамдығы <sup>*1</sup><br>[Резервуардан су алу / Су құбырынан су алу] | 3,0 / 5,3 л/мин   |               |
| Су ағынының жылдамдығы <sup>*2</sup>  | Жоғары режим  | 2,5 л/мин     |
|   | Төменгі режим   | 1,5 л/мин     |
| Макс. жұмыс қысымы  | 2,4 МПа   |               |
| Жұмыс қысымы <sup>*2</sup>  | Жоғары режим<br>[Резервуардан су алу /<br>Су құбырынан су алу]  | 2,0 / 2,2 МПа |
|   | Төменгі режим<br>[Резервуардан су алу /<br>Су құбырынан су алу] | 0,8 / 0,8 МПа |
| Максималды беріліс қысымы   | 0,5 МПа   |               |
| Максималды беріліс температурасы  | 40°C  |               |
| Максималды сору биіктігі  | 2,0 м   |               |
| Номиналды кернеу  | AT 18 В   |               |
| Өлшемдері <sup>*3</sup><br>[ұзындығы x ені x биіктігі]                            | 888 мм x 99 мм x 239 мм   |               |
| Салмағы   | 2,3-2,7 кг  |               |

\*1: саптамаларсыз

\*2: бүрку схемасы 15°

\*3: 5 функциялы саптамасы және ұзартқышы бар

- Зерттеу мен өзірлеудің үздіксіз бағдарламасына байланысты осы құжаттағы техникалық сипаттамалар ескертусіз өзгертілуі мүмкін.
- Техникалық сипаттамалары әр елде әр түрлі болуы мүмкін.
- Өнімнің салмағы аккумулятор картриджі сияқты қондырма(лар)ға байланысты әр түрлі болуы мүмкін. EPTA-Procedure 01/2014 стандарты бойынша ең жеңіл және ең ауыр комбинация кестеде көрсетілген.

### Жарамды аккумулятор картриджі мен зарядтау құрылғысы

|                       |   |
|-----------------------|---|
| Аккумулятор картриджі | BL1815N / BL1820B / BL1830B / BL1840B / BL1850B / BL1860B             |
| Зарядтау құрылғысы    | DC18RC / DC18RD / DC18RE / DC18SD / DC18SE / DC18SF / DC18SH / DC18WC |

- Жоғарыда берілген аккумулятор картридждері мен зарядтау құрылғыларының кейбірі сіздің тұрып жатқан жеріңізге байланысты қолжетімсіз болуы мүмкін.

**▲ЕСКЕРТУ:** Тек жоғарыда аталған аккумулятор картридждері мен зарядтау құрылғыларын ғана пайдаланыңыз. Аккумулятор картридждері мен зарядтау құрылғыларының басқа түрлерін пайдалансаңыз, жарақат алуыңыз және/немесе өрт шығуы мүмкін.

**▲ЕСКЕРТУ:** Бұл машинамен зарядтау құрылғысының жалғастырғышы сияқты сымды қуат көзін немесе портативті қуат беру блогын пайдаланбаңыз. Бұндай қуат көзінің кабелі жұмысқа кедергі келтіріп, дене жарақатын алуға себеп болуы мүмкін.



## Белгілер

Төменде жабдықта пайдаланылуы мүмкін белгілер көрсетілген. Пайдалану алдында олардың мағынасын түсініп алыңыз.



Пайдалану жөніндегі нұсқаулықты оқып шығыңыз.



Өте мұқият әрі абай болыңыз.



Тек ЕО елдеріне арналған  
Жабдықта қауіпті құрамдастардың болуына байланысты, электрлік және электрондық жабдықтардың, аккумуляторлар мен батареялардың қалдықтары қоршаған ортаға және адам денсаулығына кері әсерін тигізуі мүмкін. Электрлік және электрондық құрылғыларды немесе батареяларды тұрмыстық қалдықтармен бірге тастауға болмайды!  
Электрлік және электрондық жабдықтардың қалдықтары және аккумуляторлар мен батареялар және аккумуляторлар мен батареялардың қалдықтары, сондай-ақ олардың ұлттық заңнамаға бейімделуі туралы Еуропалық директиваға сәйкес, электрлік жабдықтардың, батареялардың және аккумуляторлардың қалдықтары бөлек жиналуы және қоршаған ортаны қорғау ережелеріне сәйкес жұмыс істейтін тұрмыстық қалдықтарды жинау пунктіне жеткізілуі керек.  
Бұл жабдыққа орналастырылған айқас сызықпен сызылған дөңгелекті қоқыс жәшігінің белгісі арқылы көрсетіледі.



Ауыз су шумегіне жалғамаңыз.



Ағынды адамдарға, оның ішінде өзіңізге, жануарларға және жұмыс істеп тұрған электрлік жабдыққа бағыттамаңыз.

## Қолдану мақсаты

Бұл құрал тұрмыстық жағдайда су ағызып кірді кетіруге арналған. Бүрку түрін таңдау мүмкіндігін бере отырып, құрал жуу, сондай-ақ көгалдар мен бақшаларды суару сапасын жақсартады.

## ҚАУІПСІЗДІК БОЙЫНША ЕСКЕРТУЛЕР

### МАҢЫЗДЫ ҚАУІПСІЗДІК ЕСКЕРТУЛЕРІ

**⚠️ЕСКЕРТУ:** Барлық қауіпсіздік ескертулері мен нұсқауларын оқып шығыңыз. Төменде берілген барлық ескертулер мен нұсқауларды орындамаған жағдайда, электр тогының соғуы, өрт шығуы және/немесе ауыр жарақат алуға себеп болуы мүмкін.

## Алдағы уақытта қолдану үшін барлық ескерту мен нұсқауды сақтап қойыңыз.

ЕСКЕРТУ – бұл өнімді пайдаланған кезде, төмендегілерді қоса алғанда негізгі қауіпсіздік шаралары сақталуы керек:

### Жұмыс аймағындағы қауіпсіздік

1. Барлық адамдарды жұмыс аймағынан алшақ ұстаңыз.
2. Тым артық күш салмаңыз немесе тұрақсыз тіректерде тұрмаңыз. Әрдайым тұрақты және тепе-теңдік сақтайтын күйде болыңыз.
3. Қысымды су шашыратқыш аппарат корпусын міндетті түрде тегіс және орнықты бетке қойыңыз. Шығарылған су ағатын немесе жиналатын жерге жақындамаңыз.
4. Тазаламай тұрып, айналаңыздағы заттарды және тазаланатын заттарды тексеріңіз. Қысыммен аққан су бояуды немесе басқа беткі қабаттарды, соның ішінде улы химиялық заттарды кетіріп тастауы мүмкін. Қажет болса, алдын алу шараларын қолданыңыз.
5. Қысымды су шашыратқыш аппарат шлангісіне шалынып қалмаңыз. Пайдаланған кезде шланг орналасқан жерді ескеріп отырыңыз.
6. Пайдалану кезінде қысымды су шашыратқыш аппараттың түбінен аздап су шығады. Құралды құрғақ болып тұруға тиісті жерлердің үстінен ұстап пайдаланбаңыз.

### Жеке қауіпсіздік

1. Ағыннан қорғану немесе заттарды ағыннан қорғау үшін операторлар қорғаныш етігі, қорғаныш қолғабы, қорғаныш каскасы және құлаққа арналған қорғаныш құралы сияқты тиісті киім киюі керек.
2. Жеке қорғаныс жабдығын киіңіз. Қолданыс түріне қарай бетті, көзді қорғайтын құралдарды пайдаланып, түрлі операциялар кезінде ұшатын қоқыстан қорғаныңыз.
3. Қорғайтын киім кимесе, қысымды су шашыратқыш аппаратты адамдар бар жерде пайдаланбаңыз.
4. Жарақат алу қаупін азайту үшін, өнімді балалардың жанында пайдаланған кезде көз жазбай бақылау қажет.
5. Егер ауыз су жүйесіне қосылған болса, жүйе кері ағып кетуден қорғалуы қажет.
6. Кері ағысқа жол бермейтін клапан арқылы ағып кеткен су ішуге жарамсыз болып саналады.

### Электрлік қауіпсіздік

1. Аккумулятор картридждерін ешқашан су қолмен ұстамаңыз.
2. Құрылғының қауіпсіздік құрылғылары, жоғары қысымды шлангілер сияқты маңызды бөлшектері зақымдалған болса, құрылғыны пайдаланбаңыз.

3. Қауіпті ортадан сақтаныңыз. Құралды дымқыл немесе ылғал жерлерде пайдаланбаңыз немесе жаңбырдың астында ұстамаңыз. Құралға су енетін болса, ток соғу қаупі артады.
- Электрлік құралды пайдалану және күтім жасау**
1. Өнімді пайдаланбас бұрын барлық нұсқауларды оқып шығыңыз.
  2. Қысымды су шашыратқыш аппаратты тоқтатуды және қысымды жылдам азайтуды білуіңіз керек. Құралды басқару жолдарымен мұқият танысыңыз.
  3. Тез тұтанатын және/немесе улы сұйықтықтарды шашыратпаңыз. Бұдан жарылыс, улану немесе құрылғының зақымдалуы жағдайларына тап болуыңыз мүмкін.
  4. Киімді немесе аяқкиімді тазалау үшін ағынды өзіңізге немесе басқаларға бағыттамаңыз.
  5. Қысым шлангілер, фитингілер мен жалғастырғыштар машинаның қауіпсіздігі үшін маңызды. Тек өндіруші ұсынған шлангілер, фитингілер мен жалғастырғыштарды пайдаланыңыз.
  6. Керек-жарақтарды ауыстыру кезінде нұсқауларды орындаңыз.
  7. Тұтқаларды құрғақ, таза ұстаңыз және майлы болмауын қамтамасыз етіңіз.
  8. Мұқият болыңыз – жасап жатқан жұмысыңызға назар аударыңыз.
  9. Өнімді шаршағанда немесе алкоголь не дәрі қабылдаған кезде пайдаланбаңыз.
  10. Қысымды су шашыратқыш аппаратты сусыз бір минуттан артық уақыт пайдаланбаңыз. Бұдан мотор зақымдалады, нәтижесінде ақау орын алады.
  11. Қараусыз қалдырған кезде, қысымды су шашыратқыш аппаратты міндетті түрде өшіріп, су құбырын өшіріңіз.
  12. Кері соққыдан сақ болыңыз. Саптамадан қысыммен су аққанда, құрылғы кері серпіледі. Абайсызда жарақат алмау үшін құрылғыны мықтап ұстаңыз.
  13. Пайдаланбай тұрып, зақымдалған немесе тозған бөлшектердің бар-жоғын тексеріңіз. Сонымен қатар шлангінің дұрыс жалғанғанына және пайдалану кезінде су ақпайтынына көз жеткізіңіз. Функциялық ақаулары бар құрылғыны пайдалансаңыз, жазатайым оқиға орын алуы мүмкін.
  14. Қысымды су шашыратқыш аппаратты шлангісінен тартып жылжытпаңыз. Бұдан шланг пен жалғайтын бөлшектер зақымдалады және қысқа тұйықталу немесе функциялық ақаулар пайда болады.
  15. Шлангінің үстіне ауыр заттарды қоймаңыз немесе көліктердің оның үстінен басып өтуіне жол бермеңіз.
  16. Шлангіні ажыратпай тұрып, міндетті түрде құрылғыда қалған қысымды шығарыңыз.
  17. Шлангіні су жеткізу желісіне жалғаған кезде, жергілікті сумен қамтамасыз ету бөлімінің немесе компанияның нұсқауларын орындаңыз.
18. Қысымды су шашыратқыш аппарат құласа немесе қатты затқа соғылса, міндетті түрде зақымдалмағанын немесе сынбағанын тексеріңіз. Зақымдалған қысымды су шашыратқыш аппаратты пайдалансаңыз, жарақат алу қаупін төндіретін түтін, өрт шығуы немесе электр тоғы соғуы мүмкін.
  19. Кездейсоқ іске қосудың алдын алыңыз. Аккумулятор жинағын жалғамас бұрын, құрылғыны жинамай тұрып немесе тасымалдамас бұрын, ауыстырып-қосқышы өшірулі күйде екеніне көз жеткізіңіз. Құрылғыны саусағыңызды ауыстырып-қосқышына қойып тасымалдау немесе ауыстырып-қосқышы қосулы құрылғыны қуат көзіне қосу жазатайым оқиғаға әкел соғуы мүмкін.
  20. Қандай да бір түзетулер жасау, керек-жарақтарды ауыстыру немесе құрылғыны сақтау алдында аккумулятор жинағын құрылғыдан ажыратыңыз. Осындай алдын алу шаралары құрылғының кездейсоқ іске қосылу қаупін азайтады.
  21. Құрылғыны немесе аккумулятор жинағын пайдалану және күтім көрсету нұсқауларында сипатталғаннан басқа жолмен өзгертуге немесе жөндеуге әрекет етпеңіз.
  22. ЕСКЕРТУ – иньекция немесе жарақат алу қаупі – шығыс ағынды адамдарға бағыттауға болмайды.
  23. Тазаланатын зат немесе аймақ суға төзімді екенін көз жеткізіңіз. Әйтпесе сол зат немесе жер зақымдалып, адам жарақаттануы мүмкін.
- Аккумулятормен жұмыс істейтін құралды пайдалану және күтім жасау**
1. Тек өндіруші көрсеткен зарядтау құрылғысымен зарядтаңыз. Бір аккумулятор блогына сәйкес келетін зарядтау құрылғысын басқа аккумулятор блогымен пайдалану өрт қаупін тудыруы мүмкін.
  2. Электрлік құралдарды тек көрсетілген аккумулятор блоктарымен пайдаланыңыз. Кез келген басқа аккумулятор блоктарын пайдалану жарақат алу мен өрт шығу қаупін тудыруы мүмкін.
  3. Аккумулятор блогын пайдаланбаған кезде, оны қағаз қыстырғыштар, тиындар, кілттер, шегелер, бұрандалар сияқты металл заттар мен бір клеммадан екіншісіне қосылыс жасау мүмкін басқа шағын металл заттардан аулақ ұстаңыз. Аккумулятор клеммаларының қысқа тұйықталуы күйік шалуға немесе өртке әкел соғуы мүмкін.
  4. Дұрыс пайдаланбаған кезде аккумулятордан сұйықтық ағуы мүмкін; тиіп кетпеуге тырысыңыз. Егер абайсызда тиіп кетсеңіз, сумен шайыңыз. Егер сұйықтық көзге тиген болса, медициналық көмекке жүгініңіз. Аккумулятордан шыққан сұйықтық тітіркену немесе күйікке себеп болуы мүмкін.
  5. Зақымдалған немесе өзгертілген аккумулятор блогын пайдаланбаңыз. Зақымдалған немесе өзгертілген аккумуляторлардан нәтижесінде өрт, жарылыс немесе жарақат алу қаупіне әкелетін күтпеген жағдайлар туындауы мүмкін.

6. Аккумулятор блогын немесе құралды от немесе шамадан тыс жоғары температура шығаратын заттың жанына қоймаңыз. Отқа түссе немесе температура 130 °C-тан жоғары болса, жарылуы мүмкін.
7. Зарядтауға қатысты нұсқаулардың барлығын орындаңыз және аккумулятор блогын немесе құралды нұсқауларда көрсетілген температура ауқымынан тыс зарядтамаңыз. Дұрыс зарядталмаса немесе көрсетілген ауқымнан тыс температурада зарядталса, аккумулятор зақымдалуы және өрт шығу қаупі артуы мүмкін.
11. Құрылғы күннің суықтығына байланысты қатып қалса, жөндету үшін мақұлданған сервистік орталыққа хабарласыңыз.
12. Осы құрылғымен зарядтау құрылғысының жалғастырғышы немесе портативті қуат беру блогы сияқты қуат көзі сымын пайдаланбаңыз. Осындай қуат көзінің кабелі жұмысқа кедергі келтіріп, дене жарақатын алуға себеп болуы мүмкін.

## ОСЫ НҰСҚАУЛАРДЫ САҚТАҢЫЗ.

**⚠ЕСКЕРТУ:** Бұл өнімді әбден пайдаланып үйренген (қайта-қайта пайдаланғанның нәтижесінде) болсаңыз да және сізге қолайсыздық тудырса да, осы өнімді қолдану кезінде қауіпсіздік техникасы ережелерін қатаң түрде сақтау қажет.

Осы пайдалану жөніндегі нұсқаулықта келтірілген қауіпсіздік ережелерін ДҰРЫС ПАЙДАЛАНБАУ немесе орындамау ауыр жарақаттарға әкеп соқтыруы мүмкін.

## Аккумулятор картриджіне арналған маңызды қауіпсіздік нұсқаулары

### Қызмет көрсету

1. Нұсқаулықта көрсетілген техникалық қызмет көрсету нұсқауларын орындаңыз.
2. Құрылғының қауіпсіздігін қамтамасыз ету үшін тек өндіруші берген немесе өндіруші мақұлдаған түпнұсқа қосалқы бөлшектерді пайдаланыңыз.
3. Қысымды су шашыратқыш аппаратты білікті маманға және тиісті қосалқы бөлшектерді пайдалану жөндетіңіз. Бұл жоғары қысымды су шашыратқыш аппараттың қауіпсіздігін қамтамасыз етеді.
4. Қысымды су шашыратқыш аппарат бұзылып немесе ақау пайда болған жағдайда, оны дереу өшіріп, аккумулятор картридж(дер)ін шығарыңыз. Жергілікті дилеріңізге немесе сервистік орталыққа хабарласыңыз.

### Қосымша қауіпсіздік ескертулері

1. Құралды найзағай тию қаупі бар болған жағдайда пайдаланбаңыз.
2. Құралды лайлы жерде, ылғалды көлбеуде немесе тайғақ жерде пайдаланған кезде тұрған жеріңізге назар аударыңыз.
3. Пайдаланушының шаршағанын арттыратын нашар ортада жұмыс істеуге жол бермеңіз.
4. Аккумуляторды жаңбыр астында ауыстырмаңыз.
5. Құралды шалшыққа батырмаңыз.
6. Құралды сақтау кезінде тік күн сәулесі мен жаңбырдан қорғаңыз және оны ыстық немесе ылғалды жерде сақтамаңыз.
7. Құралды пайдаланғаннан кейін, жабысып қалған кірді алып, сақтау алдында құралды толығымен құрғатыңыз. Маусым немесе аймаққа байланысты, мұздау себебінен ақаулық болуы мүмкін.
8. Аккумулятор клеммасын су секілді сұйықтыққа салмаңыз немесе аккумуляторды батырмаңыз. Аккумуляторды жаңбыр астында қалдырмаңыз, ылғалды немесе дымқыл жерде зарядтамаңыз, пайдаланбаңыз немесе сақтамаңыз. Егер клеммасына су тисе немесе аккумулятор ішіне су кіріп кетсе, аккумулятор қысқа тұйықталуы мүмкін және қызып кету, өрт немесе жарылыс қаупі туындауы мүмкін.
9. Аккумуляторды құралдан немесе зарядтау құрылғысынан алғаннан кейін, аккумулятор қақпағын міндетті түрде бекітіңіз және оны құрғақ жерде сақтаңыз.
10. Аккумуляторды су қолмен ауыстырмаңыз.

1. Аккумулятор картриджін пайдаланбас бұрын, (1) аккумулятордың зарядтау құрылғысындағы, (2) аккумулятордағы және (3) аккумуляторды пайдаланатын өнімдегі барлық нұсқаулар мен ескерту білгілерін оқып шығыңыз.
  2. Аккумулятор картриджін бөлшектемеңіз немесе өз бетіңізше ашып жөндемеңіз. Ол өрт, шамадан тыс қызу немесе жарылу жағдайларына алып келуі мүмкін.
  3. Егер аккумулятор картриджіңізді пайдалану уақыты бірталай қысқарған болса, пайдалануды дереу тоқтатыңыз. Бұл қызып кету, ықтимал күйіктер немесе тіпті жарылыс қаупін тудыруы мүмкін.
  4. Егер электролит көзіңізге тиген болса, көзіңізді таза сумен шайыңыз және дереу медициналық көмекке жүгініңіз. Бұл көру қабілетінен айырылуға әкеп соқтыруы мүмкін.
  5. Аккумулятор картриджіңізді жалғасуларын бір бірімен матастырмаңыз:
    - (1) Клеммаларды кез келген ток өткізгіш материалдарға тигізбеңіз.
    - (2) Аккумулятор картриджін ішінде шегелер, тиындар, т.б. басқа металл заттары бар контейнерде сақтамаңыз.
    - (3) Аккумулятор блогын суға салмаңыз немесе жаңбыр астында қалдырмаңыз.
- Аккумулятор түйіспелерінің тұйықталуы үлкен ток ағынының пайда болуына, қызып кетуге, ықтимал күйіктерге және тіпті бұзылуға себеп болуы мүмкін.
6. Құралды және аккумулятор блогын температурасы 50 °C-ден (122 °F) шамасынан асатын жерлерде сақтамаңыз және пайдаланбаңыз.

7. Аккумулятор блогы қатты зақымдалған немесе толығымен тозған болса да, оны отқа жақпаңыз. Аккумулятор блогы отта жарылып кетуі мүмкін.
8. Аккумулятор картриджін шегелеуге, кесуге, басуға, лақтыруға, құлатуға немесе оны қатты затпен соғуға болмайды. Бұл әрекеттер өрт, шамадан тыс қызу немесе жарылу жағдайларына алып келуі мүмкін.
9. Зақымдалған аккумуляторды пайдаланбаңыз.
10. Жинаққа кіретін литий-ионды аккумуляторлар денсаулыққа және қоршаған ортаға зиянды заттар заңнамасы талаптарына сәйкес қарастырылады. Коммерциялық тасымалдау үшін, мысалы, үшінші тараптар, экспедиторлар үшін қаптамада және таңбалауда арнайы талаптар сақталуы тиіс. Жіберілетін өнімді дайындау үшін қауіпті заттар бойынша сарапшы маманмен кеңесу керек. Сонымен қатар ұлттық ережелерді де толық қарап шығыңыз. Ашық түйіспелерді жауып, аккумуляторды қаптамаға қозғалмайтындей етіп орналастырыңыз.
11. Аккумулятор картриджін көдеге жаратқан кезде оны құралдан шығарып алып, қауіпсіз жерде көдеге жаратыңыз. Аккумуляторды көдеге жаратуға қатысты жергілікті ережелерді орындаңыз.
12. Аккумуляторларды тек Makita компаниясы көрсеткен өнімдермен бірге пайдаланыңыз. Аккумуляторларды үйлесімді емес өнімдерге орнату өртке, қызып кетуге, жарылысқа немесе электролит ағуына әкел соқтыруы мүмкін.
13. Егер құрал ұзақ уақыт бойы пайдаланылмайтын болса, құралдағы аккумуляторды алып тастау керек.
14. Аккумулятор картриджін пайдалану кезінде және пайдаланғаннан кейін, ол қызып, күйікке немесе төмен температуралы күйікке әкелуі мүмкін. Ыстық аккумулятор картридждерімен жұмыс істегенде сақ болыңыз.
15. Құралдың клеммасын пайдаланғаннан кейін, оны бірден ұстамаңыз, ол күюге себеп болатындай ыстық болуы мүмкін.
16. Аккумулятор картриджінің клеммаларына, саңылауларына және ойықтарына жоңқа, шаң немесе кірдің тұрып қалуын болдырмаңыз. Бұл құралдың қызуына, тұтануына, жарылуына және батарея картриджінің істен шығуына әкеліп, күйік немесе жарақат алуға себеп болуы мүмкін.
17. Егер құрал жоғары вольтты электрлік қуат желілері жанында пайдалануға жарамды болмаса, аккумуляторлық картриджді жоғары вольтты электрлік қуат желілері жанында пайдаланбаңыз. Бұл құралдың немесе аккумулятор картриджінің істен шығуына немесе сынуына алып келуі мүмкін.
18. Аккумуляторды балалардан аулақ ұстаңыз.

## ОСЫ НҰСҚАУЛАРДЫ САҚТАҢЫЗ.

**▲САҚ БОЛЫҢЫЗ:** Тек түпнұсқа Makita аккумуляторларын пайдаланыңыз. Түпнұсқа емес Makita аккумуляторларын немесе өзгертілген аккумуляторларды пайдалану нәтижесінде өрт, жарақат алу немесе зақымдалуға себеп болатын аккумулятор жарылуына әкелуі мүмкін. Ол сондай-ақ Makita құралы мен зарядтау құрылғысы үшін Makita кепілдігінің күшін жояды.

## Аккумулятордың максималды қызмет ету мерзімін сақтау бойынша кеңестер

1. Аккумулятор картриджін қуаты толығымен таусылмас бұрын зарядтаңыз. Электр құралының қуаты аз екендігін байқаған кезде, құрал жұмысын тоқтатып, аккумулятор картриджін зарядтаңыз.
2. Толығымен зарядталған аккумулятор картриджін ешқашан қайта зарядтамаңыз. Артық зарядтау аккумулятордың қызмет ету мерзімін қысқартады.
3. Аккумулятор картриджін 10 °C – 40 °C (50 °F – 104 °F) бөлме температурасында зарядтаңыз. Зарядтамас бұрын аккумулятор картриджін суытыңыз.
4. Аккумулятор картриджін пайдаланбаған уақытта оны құралдан немесе зарядтау құрылғысынан алып тастаңыз.
5. Егер аккумулятор картриджін ұзақ уақыт бойы (алты айдан артық) пайдаланбаған болсаңыз, оны зарядтаңыз.

## ФУНКЦИОНАЛДЫҚ СИПАТТАМАСЫ

**▲САҚ БОЛЫҢЫЗ:** Құралдың функциясын реттемес және тексермес бұрын, әрдайым құралдың өшірулі екендігіне және аккумулятор картриджінің алынғанына көз жеткізіңіз.

## Аккумулятор картриджін орнату немесе алу

**▲САҚ БОЛЫҢЫЗ:** Аккумулятор картриджін орнатпас немесе алмас бұрын, әрдайым құралды өшіріңіз.

**▲САҚ БОЛЫҢЫЗ:** Аккумулятор картриджін орнатқан немесе алған кезде құралды және аккумулятор картриджін мықтап ұстаңыз. Құралды және аккумулятор картриджін мықтап ұстамау, олардың қолыңыздан сырғанап түсіп, нәтижесінде құралдың және аккумулятор картриджінің зақымдалуына және жарақат алуға әкел соқтыруы мүмкін.

**▲САҚ БОЛЫҢЫЗ:** аккумулятор қақпағын абайлап ашыңыз немесе жабыңыз, саусақтарыңызды қысып алмаңыз.

Бекіткіш тиекті итеріп тұрып қақпақты ашыңыз.

► **Сурет1:** 1. Қақпақ 2. Құлыптау тетігі

Аккумулятор картриджіндегі тілше мен корпусытағы ойықты бір-біріне туралап, картриджді орнына сырғытып салыңыз. Сырт еткен дыбыс естілгенше, орнына итеріп салыңыз. Суретте көрсетілгендей қызыл индикатордың көрініп тұрса, ол толық құлыпталған жоқ.

► **Сурет2:** 1. Қызыл индикатор 2. Түйме 3. Аккумулятор картриджі

Аккумулятор картриждерін орнатқаннан немесе алғаннан кейін қақпақтың жабыңыз.

Аккумулятор картриджін шығару үшін қақпақты ашыңыз, алдыңғы жақтағы түймешікті басып тұрып, аккумулятор картриджін құралдан сырғытып шығарыңыз, содан кейін қақпақты жабыңыз.

**▲САҚ БОЛЫҢЫЗ:** Аккумулятор картриджін әрдайым қызыл индикатор көрінбейтіндей етіп, толығымен орнатыңыз. Олай жасамаған жағдайда, ол құралдан кездейсоқ түсіп қалып, сізді немесе айналаңыздағы адамдарды жарақаттауы мүмкін.

**▲САҚ БОЛЫҢЫЗ:** Аккумулятор картриджін күштеп орнатпаңыз. Егер картридж жеңіл сырғымаса, демек ол дұрыс салынбаған.

**▲САҚ БОЛЫҢЫЗ:** Жұмыс істеуден бұрын қақпақты құлыптаңыз.

## Құралдың/аккумулятордың қорғаныс жүйесі

Құралда оны/аккумуляторды қорғайтын жүйе бар. Құрал мен аккумулятордың қызмет ету мерзімін ұзарту үшін осы жүйе моторға берілетін қуатты автоматты түрде ажыратады. Құрал немесе аккумулятор төмендегі жағдайлардың біреуіне тап болса, құрал автоматты түрде тоқтайды және белгі береді:

► **Сурет3:** 1. Индикатор

## Шамадан тыс жүктемеден қорғаныс

Құрал немесе аккумулятор әдеттегіден жоғары ток тартатын күйде пайдаланылғанда, құрал автоматты түрде тоқтайды және қызыл индикатор жанады. Бұл жағдайда, құралды өшіріңіз және құралға шамадан тыс күш түсірген жұмысты тоқтатыңыз. Содан кейін құралды қайтадан іске қосыңыз.

## Қызып кетуден қорғаныс

Құрал немесе аккумулятор қызып кеткенде, құрал автоматты түрде тоқтап, қызыл индикатор жанады. Бұндай жағдайда, құралды суытып алып, қайта іске қосыңыз.

## Зарядтың шамадан тыс таусылуынан қорғаныс

Аккумуляторда аз қуат қалған кезде, қызыл индикатор жыпылықтайды. Аккумулятор таусылайын дегенде, құрал автоматты түрде тоқтап, қызыл индикатор жанады. Бұл жағдайда аккумуляторды құралдан шығарып, қуаттаңыз.

## Басқа ақаулардан қорғау

Сондай-ақ қорғау жүйесі құрылғыны зақымдайтын басқа ақаулардан қорғау үшін жасалған, құралды автоматты түрде тоқтатуға мүмкіндік береді. Құрылғы уақытша тоқтап немесе жұмыс кезінде тоқтап қалса, ақауларды жою үшін келесі қадамдардың бәрін орындаңыз.

1. Құралды өшіріп, содан кейін қайта іске қосу үшін оны қайтадан қосыңыз.
2. Аккумулятор(лар)ды зарядтаңыз немесе оны/оларды қайта зарядталған аккумулятор(лар) мен ауыстырыңыз.
3. Құрал мен аккумулятор(лар)ды суытыңыз.

Қорғау жүйесін қалпына келтіру арқылы жақсарту болмаса, Makita компаниясының жергілікті қызмет көрсету орталығына хабарласыңыз.

**НАЗАР САЛЫҢЫЗ:** Құрал жоғарыда сипатталмаған себепке байланысты тоқтаса, ақаулықтарды жою бөлімін қараңыз.

## Аккумулятордың қалған қуатын көрсету

**Тек индикаторы бар аккумулятор картриджіне арналған.**

Аккумулятордың қалған қуатын көрсету үшін аккумулятор картриджіндегі тексеру түймесін басыңыз. Индикатор шамдары бірнеше секунд жанып тұрады.

► **Сурет4:** 1. Индикатор шамдары 2. Тексеру түймесі

| Индикатор шамдары |         |            | Қалған қуат                      |
|-------------------|---------|------------|----------------------------------|
| Жанып тұру        | Өшірулі | Жыпылықтау |                                  |
|                   |         |            | 75% - 100%                       |
|                   |         |            | 50% - 75%                        |
|                   |         |            | 25% - 50%                        |
|                   |         |            | 0% - 25%                         |
|                   |         |            | Аккумуляторды зарядтаңыз.        |
|                   |         |            | Аккумулятор ақаулы болуы мүмкін. |

**ЕСКЕРТПЕ:** Қолдану жағдайларына және қоршаған ортаның температурасына қарай көрсеткіш нақты қуаттан біршама ерекшеленуі мүмкін.

**ЕСКЕРТПЕ:** Аккумулятордың қорғаныс жүйесі жұмыс істегенде, бірінші (шеткі сол жақ) индикатор шамы жыпылықтайды.

## Қысым режимінің қосқышы

Қосқыш тиекті алға және артқа сырғыту арқылы қажетті қысым режимін таңдаңыз. Төмен қысым режимін қосу үшін тиекті артқа қарай тартыңыз. Қосқышта "1" саны көрінеді. Жоғары қысым режимін қосу үшін тиекті алға итеріңіз. Қосқышта "2" саны көрінеді.

► **Сурет5:** 1. Төмен қысым режимі (1) 2. Жоғары қысым режимі (2) 3. Қысым режимінің қосқыш тиегі

## Ауыстырғыш шүріппе

Қысымды су шашыратқыш аппараттың шүріппесінде сақтандырғыш бар. Шүріппенің сақтандырғышын босату үшін шүріппе беті тегіс болатындай етіп құлыптау түймешігін шүріппеге басыңыз.

Су ағызу үшін ауыстырғыш шүріппені басыңыз. Шүріппені басып тұрғанда су ағып тұрады.

► **Сурет6:** 1. Ауыстырғыш шүріппе 2. Құлыптау түймешігі

Шүріппе құлпын іске қосу үшін шүріппенің ішінен құлыптау түймешігін қайта итеріп шығарыңыз. Қысымды су шашыратқыш аппарат пайдаланылмаған кезде шүріппені міндетті түрде құлыптаңыз.

► **Сурет7:** 1. Ауыстырғыш шүріппе 2. Құлыптау түймешігі

## Қондырма функциялары

Бірнеше режимді (5 режим) бүрку саптамасы жуу қажеттіліктеріңізге қарай реттеуге болатын бірнеше бүрку режиміне ие. Бір саптамаға жиі қолданылатын бес бүрку режимін біріктірдік, сондықтан бірінен екіншісіне ауысу қажеттілігі болмайды, жұмысыңыз үшін тиісті бүрку режимін бұрап орнатсаңыз болғаны.

**Саптамаларды оңай ауыстыру мүмкіндігі: 0°, 15°, 25°, 40° және душ**

► **Сурет8**

► **Сурет9:** 1. Шашырату үлгінің белгісі 2. Үшбұрыш белгісі

Саптаманың басын солға немесе оңға бұрып, қажетті шашырату үлгісін орнатыңыз. Таңдағыңыз келетін шашырату үлгісінің белгісі мен үшбұрыш белгісін дұрыс туралаңыз, сонда саптама басы сырт етіп бекітіледі.

► **Сурет10**

**НАЗАР САЛЫҢЫЗ:** саптама басын сырт етіп орнатылмаған күйге қоймаңыз. Әйтпесе құрал әркелкі бүрку режимдерін жасап, нәтижесінде су ағуы мүмкін.

**САҚ БОЛЫҢЫЗ:** бүрку режимдерін өзгерткен кезде, саптама корпусын бірге бұрмауға тырысыңыз. Саптама құралдан шығып кетіп, жарақаттауы мүмкін.

## Сақтандырғыш клапан

Бұл құрылғы қысымды шамадан тыс асыруға жол бермейтін сақтандырғыш клапанмен жабдықталған.

**САҚ БОЛЫҢЫЗ:** Сақтандырғыш клапан параметрлерін бұзбаңыз немесе реттемеңіз.

## ҚҰРАСТЫРУ

**САҚ БОЛЫҢЫЗ:** Құралмен кез келген жұмыс істемес бұрын, әрдайым құралдың өшірулі екендігіне және аккумулятор картриджінің алынғанына көз жеткізіңіз.

## Саптама мен бүрку ұзартқышын орнату

**САҚ БОЛЫҢЫЗ:** саптама мен бүрку ұзартқышын таққанда/ажыратқанда ауыстырғыш шүріппені міндетті түрде құлыптаңыз.

### Саптама

Саптама ұшындағы бағыттауыш шығыңқы жерлер мен құрал корпусындағы құлыптау ойықтарын бір-біріне туралаңыз. Саптама мен корпустың екі үшбұрыш белгісі бір-біріне қарағанша саптаманы толықтай ішке кіргізіңіз. Содан кейін құлыпты іске қосу үшін саптаманы суретте көрсетілген бағытта бұраңыз.

Саптаманы орнатқан соң, оның мықтап бекітілгенін тексеру үшін оны кері тартып көріңіз.

► **Сурет11:** 1. Саптама 2. Бағыттауыштың шығыңқы жері 3. Бекіткіш ойық 4. Үшбұрыш белгілері 5. Құрсақ қанаты тәрізді пішін

**ЕСКЕРТПЕ:** Құрсақ қанаты тәрізді пішінді бұрап төмен қаратыңыз.

Саптаманы ажырату үшін оны құрал корпусына қарай итеріп тұрыңыз, содан кейін екі үшбұрыш белгісі бір-біріне қарағанша оны қарсы бағытта бұраңыз. Құлпы ашылғанда саптаманы құрал корпусынан тартып шешіп алыңыз.

### Бүрку ұзартқышы

Кез келген қол жетпейтін жерлерді суару мүмкіндігі.

Саптаманы орнату әрекеттерін орындау арқылы құрал корпусы мен саптаманың арасына бүрку ұзартқышын орнатыңыз.

► **Сурет12:** 1. Бүрку ұзартқышы 2. Құрал корпусы 3. Саптама 4. Бағыттауыш шығыңқы жерлер 5. Бекіткіш ойықтар 6. Үшбұрыш белгілері

Қондырмаларды ажырату үшін ұштағы қондырманы орнату қондырмасына қарай итеріп тұрыңыз, содан кейін екі үшбұрыш белгісі бір-біріне қарағанша, оны қарсы бағытта бұраңыз. Ұштағы қондырманың құлпы ашылған соң, оны орнату қондырмасынан/корпустан ажыратып алыңыз.

## Резервуардан су алу жүйесіне жалғау

**НАЗАР САЛЫҢЫЗ:** Су жеткізу үшін міндетті түрде осы құралмен бірге жеткізілетін қысым шлангісін және сүзгіні пайдаланыңыз.

**НАЗАР САЛЫҢЫЗ:** қысымды су шашыратқыш аппарат кірсі мен су бетінің арасында міндетті түрде 2,0 м немесе одан кем биіктікті сақтаңыз. Әйтпесе қысымды су шашыратқыш аппарат суды сорғының ішіне сора алмайды.

**НАЗАР САЛЫҢЫЗ:** су ыдысын міндетті түрде түбінен жоғары қарай 25 мм-ден асыра су толтырып, торлы сүзгіні толығымен суға батырыңыз.

Суды кез келген көлемдегі резервуардан/контейнерден/ыдыстан жеткізуге болады. Резервуардан су алу суы жоқ және жуылатын аймаққа немесе жерге су жеткізілуге тиісті қысыммен жуу жағдайларына, мысалы көлік жуу және бақты суару, т.б. сияқты жағдайларға арналған.

1. Торлы сүзгіні қысым шлангісінің бір ұшына орнатыңыз.

Торлы сүзгі шығыс жағын жалғағыш муфтаға салыңыз және сүзгі орнына бекітілгенше оны итеріңіз.

► **Сурет13:** 1. Торлы сүзгі 2. Жалғағыш муфта 3. Қысым шлангісі

2. Торлы сүзгіні су ыдысының түбінде қалдырыңыз.

► **Сурет14:** 1. Торлы сүзгі 2. Қысым шлангісі 3. Шланг ілгегі

**ЕСКЕРТПЕ:** Жеткізілген шланг ілгегімен шлангіні торлы сүзгі ыдыстың түбінде қозғалмайтындай етіп тесік бойымен іліңіз.

3. Шлангінің екінші ұшын қысымды су шашыратқыш аппараттағы су шлангісінің жалғағышына жалғаңыз.

Жалғағыш муфтаны коннектор кірісінің үстіне қойып, муфта орнына бекітілгенше оны итеріңіз.

► **Сурет15:** 1. Жалғағыш муфта 2. Су шлангісінің жалғағышы

**▲САҚ БОЛЫҢЫЗ:** Жоғары қысымды шлангінің мықтап бекітілгеніне көз жеткізіңіз. Бос жалғаудан жоғары қысымды шланг шығып кетіп жарақат алуға әкелуі мүмкін.

**НАЗАР САЛЫҢЫЗ:** жоғары қысымды режимде суды белгілі бір тереңдіктен көтеру қажет болғанда, қысымды су шашыратқыш аппаратқа және шлангіге суды алдын ала жіберіңіз.

## Су құбырына жалғау

**▲САҚ БОЛЫҢЫЗ:** су жеткізу үшін міндетті түрде осы құралмен бірге жеткізілетін қысым шлангісін пайдаланыңыз.

**НАЗАР САЛЫҢЫЗ:** Егер ауыз су жүйесіне жалғайтын болсаңыз, аймақтағы ережелерге сай келетін кері ағысқа жол бермейтін клапанды пайдаланыңыз.

**НАЗАР САЛЫҢЫЗ:** аздап жеткізу үшін кіретін судың жеткізілу қысымын 0,5 МПа-дан кем болуы тиіс. Максималды жеткізу қысымын асырмаңыз, әйтпесе бұның салдарынан құрал жұмысы тоқтағанда су ағуы мүмкін.

Суды жуылатын аймақта немесе жерде бар су құбырынан жеткізуге болады. Үздіксіз су жеткізу су құю жайлы ойламауға мүмкіндік береді, үйді тиімді тазалау және белгілі бір жерді тазалау, шаю және көгалдың кең аумағын немесе өсімдіктерді суару сияқты бақты суару мүмкіндігін береді.

1. Қысым шлангісін кранға жалғаңыз.

Шланг ұшын су шүмегіне бекіту үшін кранды жалғағыш сияқты тиісті фитинг орнатыңыз.

► **Сурет16:** 1. Судың шүмек жалғағышы 2. Жалғағыш муфта 3. Қысым шлангісі

**ЕСКЕРТПЕ:** Фитинг түрі жалғанатын кран пішініне байланысты болады. Сәйкес келетін сатып алған фитингіні дайындаңыз.

2. Шлангінің екінші ұшын қысымды су шашыратқыш аппараттағы су шлангісінің жалғағышына жалғаңыз.

Жалғағыш муфтаны коннектор кірісінің үстіне қойып, муфта орнына бекітілгенше оны итеріңіз.

► **Сурет17:** 1. Біріктіруші жалғастырғыш 2. Су шлангісінің жалғағышы

## Көбік бүрку саптамасын орнату

*Қосымша керек-жарақ*

**▲САҚ БОЛЫҢЫЗ:** қосымша қондырмаларды таққанда/ажыратқанда ауыстырғыш шүріппені міндетті түрде құлыптаңыз.

**НАЗАР САЛЫҢЫЗ:** бейтарап жуғыш затты ғана пайдаланыңыз. Құралды немесе мүлкіңізді зақымдай алатын тұрмыстық жуғыш заттарды, қышқылды жуғыш заттарды, сілтілі жуғыш заттарды, ағартқыштарды, еріткіштерді, жанғыш материалдарды немесе өнеркәсіптік ерітінділерді пайдаланбаңыз. Тазалау ерітіндісін бөтелкесінде көрсетілгендей дайындаңыз және оны міндетті түрде көзге түспейтін жерде алдын ала тексеріңіз.

**НАЗАР САЛЫҢЫЗ:** тұтқырлығы жоғары жуғыш зат пайдаланылса, қондырма бітеліп қалуы мүмкін. Тұтқырлығы жоғары жуғыш затты пайдалану алдында, шөлмекке су қосу арқылы жуғыш затты сұйылтыңыз.

**ЕСКЕРТПЕ:** Көбік бүрку саптамасын пайдаланған кезде бөтелкедегі жуғыш зат құралдан келетін сумен сұйылтылып, шашыратылады. Бөтелкедегі жуғыш заттың концентрациясын қажетінен артық сұйылтудың қажеті жоқ. Қолдану шарттарын тексергенде, жуғыш заттың концентрациясын реттеңіз.

**ЕСКЕРТПЕ:** Көбік қондырма қисайтып орнатылса, жуғыш зат мүмкін.

Көбік шашатын қондырманы пайдаланбас бұрын, жуғыш затты дайындаңыз.

1. Резервуарға жуғыш зат құйыңыз. Саптаманы ыдысқа бекітіп, қақпақты мықтап жабыңыз.
2. Көбік бүрку саптамасындағы бағыттауыш шығыңқы жерлер мен құрал корпусындағы құлыптау ойықтарын бір-біріне туралау үшін көбік бүрку саптамасын еңкейтеңіз. Саптаманы тірелгенше кіргізіп, орнында ұстаңыз. Содан кейін құлыпты іске қосу үшін көбік бүрку саптамасын суретте көрсетілген бағытта бұраңыз.  
▶ **Сурет18:** 1. Көбік бүрку саптамасы 2. Резервуар 3. Бағыттауыштың шығыңқы жері 4. Бекіткіш ойық

Саптаманы орнатқан соң, оның мықтап бекітілгенін тексеру үшін оны кері тартып көріңіз.

3. Жуғыш зат ерітіндісінің сорылу көлемін реттеу үшін жуғыш зат реттегішін бұраңыз.  
▶ **Сурет19:** 1. Жуғыш зат реттегіші 2. Минимумға бұрап қою 3. Максимумға бұрап қою

## Қосымша саптамаларды орнату

*Қосымша керек-жарақ*

**▲САҚ БОЛЫҢЫЗ:** қосымша қондырмаларды таққанда/ажыратқанда ауыстырғыш шүріппені міндетті түрде құлыптаңыз.

Қосымша саптамадағы бағыттауыш шығыңқы жерлер мен құрал корпусындағы құлыптау ойықтарын бір-біріне туралаңыз. Саптаманы тірелгенше кіргізіп, орнында ұстаңыз. Содан кейін құлыпты іске қосу үшін саптаманы суретте көрсетілген бағытта бұраңыз.

Саптаманы орнатқан соң, оның мықтап бекітілгенін тексеру үшін оны кері тартып көріңіз.

- ▶ **Сурет20:** 1. Саптамалар 2. Бағыттауыштың шығыңқы жері 3. Бекіткіш ойық

Саптаманы ажырату үшін оны құрал корпусына қарай итеріп тұрыңыз, содан кейін оны қарсы бағытта бұрап құлыпты ашыңыз. Құлпы ашылғанда саптаманы қысымды су шашыратқыш аппараттан тартып шешіп алыңыз.

## Пластик бөтелкеге арналған адаптерді орнату

*Қосымша керек-жарақ*

**▲САҚ БОЛЫҢЫЗ:** қосымша қондырмаларды таққанда/ажыратқанда ауыстырғыш шүріппені міндетті түрде құлыптаңыз.

**▲САҚ БОЛЫҢЫЗ:** пластик бөтелкеге арналған адаптерді қысымды су шашыратқыш аппаратқа және пластик бөтелкеге мықтап бекітіңіз. Әйтпесе бөтелке құлап кетіп, жарақаттауы мүмкін.

**ЕСКЕРТПЕ:** Суды сақтау үшін 2 литрлік (жарты галлон) пластик бөтелкені пайдалануға болады.

1. Пластик бөтелкеге су құйыңыз.
2. Бөтелкенің аузынан сору түтігін өткізіп түсіріңіз.
3. Жалғағыш муфтаның гайкасын бұрап адаптерді бөтелкеге бекітіңіз.
4. Пластик бөтелкеге арналған адаптерді қысымды су шашыратқыш аппараттағы су шлангісінің жалғағышына жалғаңыз.

Жалғағыш муфтаны коннектор кірісінің үстіне қойып, муфта орнына бекітілгенше оны итеріңіз.

- ▶ **Сурет21:** 1. Пластик бөтелкеге арналған адаптер 2. Сору түтігі 3. Пластик бөтелке 4. Су шлангісінің жалғағышы

## ПАЙДАЛАНУ

**▲ЕСКЕРТУ:** Су ағынына қолыңызды тигізбеңіз және оны өзіңізге немесе өзгелерге бағыттамаңыз. Су ағыны қауіпті және сізге немесе басқаларға зақым келтіруі мүмкін.

**▲ЕСКЕРТУ:** Су ағыны атқылаған кезде, тазалап жатқан затты қолмен ұстамаңыз немесе қолыңызды су ағынының жанына қоймаңыз.

**▲САҚ БОЛЫҢЫЗ:** Қысымды су шашыратқыш аппаратты сусыз 1 минуттан артық пайдаланбаңыз.

**▲САҚ БОЛЫҢЫЗ:** қысымды су шашыратқыш аппаратты ұзақ уақыт пайдаланбаңыз. Әйтпесе аппарат қызып кетуі немесе өрт шығуы мүмкін. Сонымен қатар ұзақ уақыт бойы пайдаланудан дірілдеп істен шығуы мүмкін.

**▲САҚ БОЛЫҢЫЗ:** Жжел бағытын ескеріңіз. Егер жуғыш зат көзіңізге тисе немесе аузыңызға кірсе, дереу таза сумен шайыңыз және қажет болса медициналық көмекке жүгініңіз.



**НАЗАР САЛЫҢЫЗ:** қысымды су шашыратқыш аппарат механизмін қорғау үшін температурасы 40°C-тан (104°F) артық суды пайдаланбаңыз.

**НАЗАР САЛЫҢЫЗ:** өзен суы, тоған суы, құмды немесе лай су сияқты тазартылмаған суды пайдаланбаңыз. Сүзілмеген лас судан сорғыда қажетсіз материал жиналып, нәтижесінде ақау пайда болуы мүмкін.

#### Судың көтерілу биіктігі

Су алынатын жерден қысымды су шашыратқыш аппараттың су сорылатын кіріс тесігіне дейінгі тік биіктік 2,0 м-ден аспауы тиіс.

#### Жиналған судың тереңдігі

Су ыдысын түбінен 25 мм-ден асыра су құйыңыз.

► **Сурет22:** 1. Судың көтерілу биіктігі 2. Жиналған судың тереңдігі

#### Негізгі пайдалану кезіндегі әрекеттер

1. Су шлангісінің кіріс жағын су алынатын жерге жалғаңыз.

2. Су шлангісінің шығыс жағын қысымды су шашыратқыш аппаратқа жалғаңыз.

#### ► Сурет23

3. Қысымды су шашыратқыш аппараттағы қалған су соңғы рет пайдаланылғаннан бері ағызылған болса, қысым шлангісі мен қысымды су шашыратқыш аппаратқа су жіберіңіз.

Шланг пен су шашыратқыш аппараттан ауа шығып болғанша су ағызыңыз.

(1) Қысымды су шашыратқыш аппараттан саптаманы шешіп алыңыз.

(2) Аккумулятор картриджін қысымды су шашыратқыш аппаратқа орнатыңыз.

(3) Жоғары қысымды режимді таңдаңыз.

(4) Ауыстырғыш шүріппенің құлпын ашыңыз.

(5) Қысымды су шашыратқыш аппарат тұрақты су ағыза бастағанша ауыстырғыш шүріппені басып тұрыңыз.

► **Сурет24:** 1. Қысым режимінің қосқыш тиегі

Қысымды су шашыратқыш аппарат пен шлангіден ауа тығындарын шығарған соң, ауыстырғыш шүріппені жіберіңіз.

Аккумулятор картриджін қысымды су шашыратқыш аппараттан шығарып, жұмысыңызға сай келетін саптаманы орнатыңыз.

4. Қақпақты ашыңыз және аккумулятор картриджін қысымды су шашыратқыш аппаратқа орнатыңыз, содан кейін қақпақты құлыптаңыз.

► **Сурет25:** 1. Аккумулятор картриджі 2. Қақпақ

**▲ САҚ БОЛЫҢЫЗ:** аккумулятор қақпағын абайлап ашыңыз немесе жабыңыз, саусақтарыңызды қысып алмаңыз.

5. Қажетті қысым режимін таңдаңыз. Осыдан кейін ауыстырғыш шүріппенің құлпын ашыңыз.

► **Сурет26:** 1. Қысым режимінің қосқыш тиегі 2. Ауыстырғыш шүріппе 3. Құлыптау түймешігі

6. Саптаманың басын суарылатын аймаққа немесе жерге бағыттаңыз. Шүріппені қысыңыз.

Шүріппе басылып тұрғанда су ағып тұрады.

► **Сурет27**

► **Сурет28**

**▲ САҚ БОЛЫҢЫЗ:** қысымды су шашыратқыш аппаратты мықтап ұстаңыз. Ауыстырғыш шүріппе басылған кезде құрал кері серпіледі.

**▲ САҚ БОЛЫҢЫЗ:** су ағызғанда, міндетті түрде қысымды су шашыратқыш аппаратты сабынан және өзегінен ұстаңыз.

## Пайдаланғаннан кейін

**▲ САҚ БОЛЫҢЫЗ:** қысымды су шашыратқыш аппаратпен жұмыс істеп болғаннан кейін, міндетті түрде осы нұсқаулықта сипатталған процедураны орындаңыз. Қысымды су шашыратқыш аппаратта қалған қысым жарақаттауы немесе іштегі сорғыны зақымдауы мүмкін.

1. Ауыстырғыш шүріппені жіберіңіз және оны құлыптау түймешігімен құлыптаңыз.

2. Су шлангісін су алынатын жерден ажыратыңыз.

► **Сурет29**

3. Ауыстырғыш шүріппенің құлпын ашыңыз және қысымды су шашыратқыш аппарат пен шлангіде қалған су ағып болғанша қысып тұрыңыз.

► **Сурет30**

**НАЗАР САЛЫҢЫЗ:** моторды 1 минуттан артық істетпеңіз.

4. Ауыстырғыш шүріппені жіберіңіз және оны құлыптау түймешігімен құлыптаңыз. Қысымды су шашыратқыш аппараттан аккумуляторды шығарып алыңыз.

► **Сурет31:** 1. Құлыптау түймешігі 2. Аккумулятор картриджі

5. Қысым шлангісін қысымды су шашыратқыш аппараттан ажыратыңыз.

► **Сурет32:** 1. Жалғағыш муфта 2. Су шлангісінің жалғағышы

**НАЗАР САЛЫҢЫЗ:** қысым шлангісін зақымдап алмау үшін, сақтау алдында шланг ішінде қалған суды ағызып тастаңыз.

## ТЕХНИКАЛЫҚ ҚЫЗМЕТ КӨРСЕТУ

**▲ САҚ БОЛЫҢЫЗ:** Тексеру немесе техникалық қызмет көрсету жұмыстарын жүргізуге әрекеттенбес бұрын, әрдайым құралдың өшірүлі екендігіне және аккумулятор картриджінің алынғанына көз жеткізіңіз.

**НАЗАР САЛЫҢЫЗ:** Жанармайды, бензинді, сұйылтқышты, спиртті немесе соған ұқсас заттарды ешқашан пайдаланбаңыз. Нәтижесінде түссіздену, бүліну немесе жарықтар пайда болуына әкелуі мүмкін.

Өнімнің ҚАУІПСІЗДІГІ мен СЕНІМДІЛІГІН қамтамасыз ету үшін, жөндеу жұмыстары, кез келген басқа техникалық қызмет көрсету немесе реттеу әрдайым Makita қосалқы бөлшектерін пайдалану арқылы Makita компаниясының өкілетті немесе зауыттық қызмет көрсету орталықтары тарапынан орындалуы керек.

## Саптамаларды тазалау

Саптама тесіктерін бітеп тұрған кірді тазалау штифтпен (саусақтай істік) кетіріңіз.

► **Сурет33:** 1. Тазалағыш істік 2. Саптама

**ЕСКЕРТПЕ:** Оңтайлы өнімділікті сақтау үшін қондырманы мерзімді түрде тазалаңыз.

**НАЗАР САЛЫҢЫЗ:** Кірді немесе қоқыстарды қатты күш салып тазаламаңыз. Бұл жарақат алуға немесе шығыс саңылауының зақымдалуына, ал ол ағын бұрыштарының ауытқуына немесе жұмыс өнімділігінің төмендеуіне әкелуі мүмкін.

## Сүзгілерді тазалау

Қысымды су шашыратқыш аппараттан су шлангісінің жалғағышын ажыратыңыз. Сүзгіге жабысқан кірді немесе шаңды кетіріңіз.

► **Сурет34:** 1. Су шлангісінің жалғағышы 2. Сүзгі 3. Тығыздағыш сақина

Сүзгі корпусын бұрап алу арқылы торлы сүзгіні бөлшектеңіз. Сүзгіге жабысқан кірді немесе шаңды кетіріңіз.

► **Сурет35:** 1. Сүзгі 2. Сүзгі корпусы

**ЕСКЕРТПЕ:** Оңтайлы өнімділікті сақтау үшін, сүзгіні мерзімді түрде тазалаңыз.

## АҚАУЛЫҚТАРДЫ ЖОЮ

Жөндеу жұмыстарына тапсырыс беруден бұрын, тексерулер жүргізіңіз. Нұсқаулықта көрсетілмеген мәселелер анықталса, құралды бөлшектемеңіз. Makita компаниясының өкілетті қызмет көрсету орталықтарына хабарласыңыз және жөндеу үшін әрқашан Makita қосалқы бөлшектерін пайдаланыңыз.

| Ақаулы күйі                  | Ықтимал себебі (ақаулық)                        | Шешім  |
|------------------------------|---|--|
| Жұғыш іске қосылмады.        | Электр қуаты жоқ                                | Қуатталған аккумулятор картридждің орнатыңыз.  |
|                              | Ауыстырғыш шүріппенің құлпы жабық.              | Ауыстырғыш шүріппенің құлпын ашыңыз.   |
|                              | Аккумулятор немесе электр тізбегі зақымдалған   | Жөндеу жұмыстарына байланысты өкілетті қызмет көрсету орталығына хабарласыңыз.   |
| Су ағыны жоқ/ су ағыны әлсіз | Сумен жабдықталмаған                            | Кранды ашу керек. Резервуардан су алу жүйесіне жалғаған жағдайда, суды қысымды су шашыратқыш аппаратқа және шлангіге су жіберіңіз. |
|                              | Сумен әлсіз жабдықтау                           | Шүмекті қосыңыз.   |
|                              | Су шлангісі нашар жалғанған                     | Қысымды су шашыратқыш аппарат пен су алынатын жер арасы жалғанғанын тексеріңіз.  |
|                              | Су шлангісі деформацияға ұшыраған немесе тозған | Шлангіні түзетіңіз. Зақымдалған су шлангісін жаңасына ауыстырыңыз.   |
|                              | Шланг немесе саптама бітелген                   | Шлангіні немесе саптаманы бітеп тұрған нәрсені алыңыз.   |
|                              | Сүзгілер бітелген                               | Торлы сүзгідегі және су шлангісінің жалғағышындағы сүзгілерге жабысқан шаңды немесе кірді кетіріңіз.                               |
|                              | Қоқыс/ластанған су                              | Су жүйесін тазалап, таза су құйыңыз.   |
|                              | Зақымдалған немесе тозған қондырма              | Қондырманы ауыстырыңыз.  |
|                              | Сорғының немесе клапанның ақаулығы              | Жөндеу жұмыстарына байланысты өкілетті қызмет көрсету орталығына хабарласыңыз.   |
|                              | Су түтіктерінің буындары бос                    | Су шлангісі мен жалғағыш муфталар арасын жақсылап жалғаңыз.  |
|                              | Су келетін қосылымнан су ағып тұр               | Су шлангісі мен су алынатын жер арасын қайтадан мықтап жалғаңыз.   |
|                              | Торлы сүзгі жеткіліксіз орнатылған              | Торлы сүзгіні суға толық батырыңыз.  |
|                              | Төмен қысымды режим пайдаланылып жатыр          | Жоғары қысымды режимді таңдаңыз.   |

| Ақаулы күйі        | Ықтимал себебі (ақаулық)                     | Шешім  |
|--------------------|--|--|
| Тұрақсыз су ағыны  | Бітелген қондырма                            | Тазалағыш істікті пайдалана отырып, қондырманың шығыс саңылауын тазартыңыз.          |
|                    | Суды нашар соруы                             | Су шлангісі ағып тұрмағанын немесе бітелмегенін тексеріңіз.                          |
|                    | Су тым ыстық.                                | Салқын сумен жабдықтаңыз.  |
|                    | Клапанның ақаулығы                           | Жөндеу жұмыстарына байланысты өкілетті қызмет көрсету орталығына хабарласыңыз.       |
| Қалыптан тыс дыбыс | Су тым ыстық.                                | Салқын сумен жабдықтаңыз.  |
| Судың жылыстауы    | Нашар жалғану                                | Қысымды су шашыратқыш аппарат пен су алынатын жер арасы жалғанғанын тексеріңіз.      |
|                    | Саптама нашар орнатылған                     | Саптаманы толық кіргізіңіз. Содан кейін мықтап бекітілгенше саптаманы бұраңыз.       |
|                    | Саптама басының күйі дұрыс емес болып қалады | Саптама басын сырт еткен күйге орнатыңыз. Бұрку режимінің белгісі анық көрінуі тиіс. |
|                    | Тозған тығыздағыштар                         | Жөндеу жұмыстарына байланысты өкілетті қызмет көрсету орталығына хабарласыңыз.       |

## ҚОСЫМША КЕРЕК-ЖАРАҚТАР

**▲ САҚ БОЛЫҢИЗ:** Бұл керек-жарақтар мен қондырмалар осы нұсқаулықта көрсетілген Makita құралымен бірге пайдалануға ұсынылады. Кез келген басқа керек-жарақтар мен қондырмаларды пайдалану адамдардың жарақаттануына әкелуі мүмкін. Керек-жарақты немесе қондырманы тек өз мақсатында ғана қолданыңыз.

Осы керек-жарақтар туралы қосымша мәлімет алу үшін көмек қажет болса, жергілікті Makita қызмет көрсету орталығына хабарласыңыз.

**ЕСКЕРТПЕ:** Тізімдегі кейбір элементтер стандартты керек-жарақтар ретінде құралдың қаптамасында болуы мүмкін. Олар елге байланысты әртүрлі болуы мүмкін.

### Көбік шашатын қондырма

► Сурет36

Жуғыш құралды көбік ретінде шашуға болады.

### Жуу щеткасы

► Сурет37

Қондырма қылшақпен жабдықталған. Қылшақпен тазалау кезінде кірді жууға қолайлы.

### Бұрышты саптама

► Сурет38

Бұрышты саптаманың басы 360 градус бұрылады. Бұның арқасында икемді жұмыс істеу мүмкіндігін аласыз және қол жетпейтін бұрыштар қалмайды.

## Пластик бөтелкеге арналған адаптер

► Сурет39

Бөтелкедегі суды айдап, оны пластикалық бөтелкеден оңай шығарып алыңыз. Су бөтелкесінен су алуға болады.

# Makita Europe N.V.

Jan-Baptist Vinkstraat 2, 3070 Kortenberg, Belgium

# Makita Corporation

3-11-8, Sumiyoshi-cho, Anjo, Aichi 446-8502 Japan

[www.makita.com](http://www.makita.com)



DHW180-  
SE9-KK-2402  
EN, SV, NO, FI, DA,  
LV, LT, ET, RU, KK  
20240514